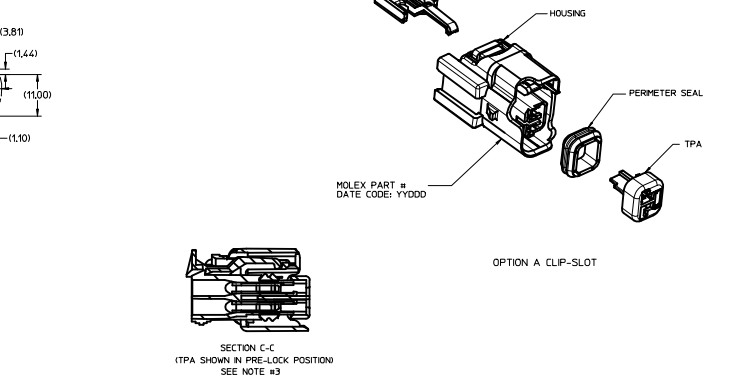
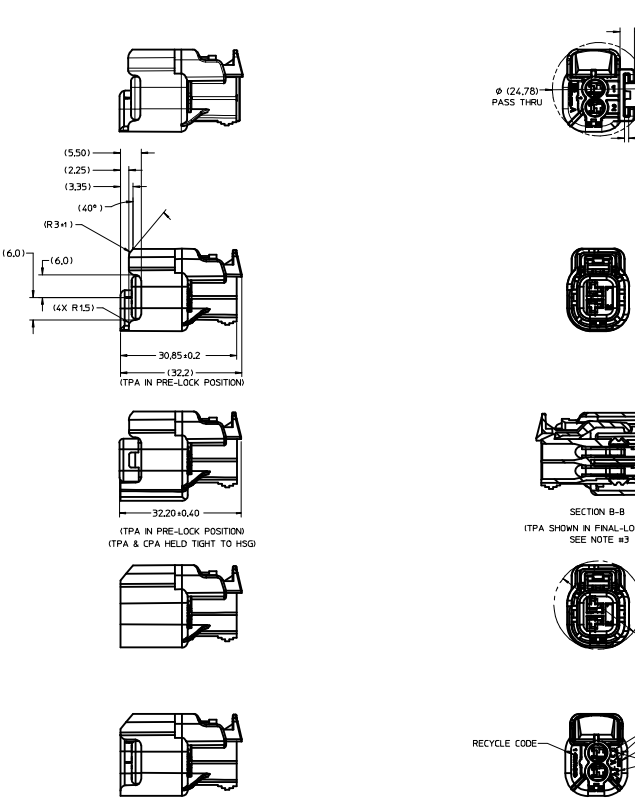
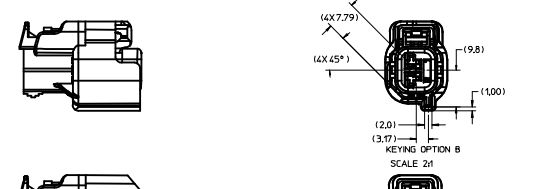
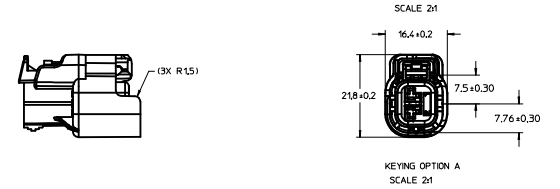
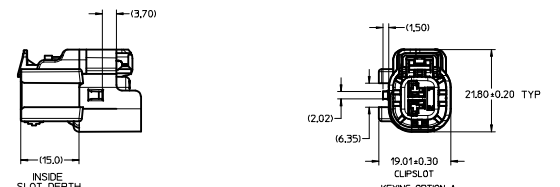
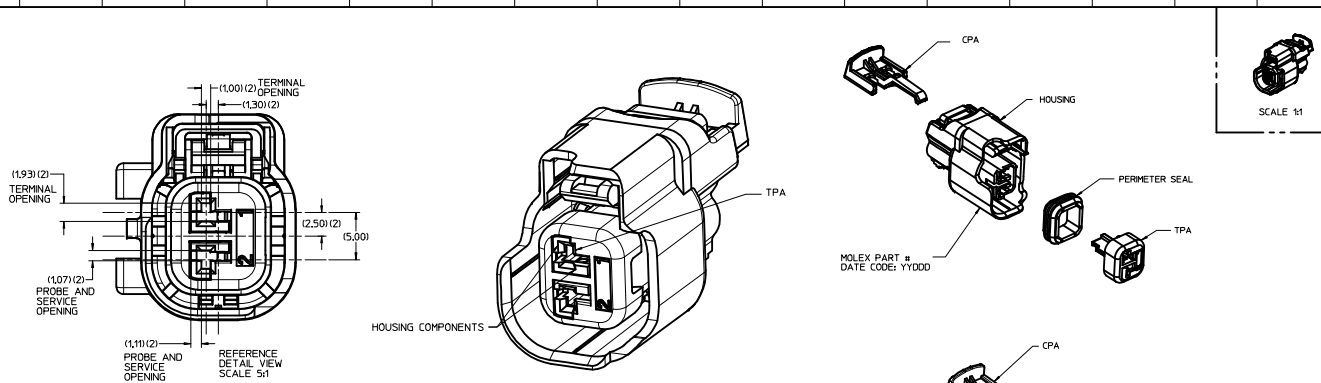


ASSEMBLY PART NUMBER	COLOR	KEYING OPTION	CPA	CLIPSLOT	TOOLED	STATUS SEE NOTE 8
34062-0001	BLACK	A	NO	NO	YES	PLANNED FOR OBSOLESCENCE SEE P/N 34062-0021
34062-0002	GRAY	B	NO	NO	YES	PLANNED FOR OBSOLESCENCE SEE REFERENCE P/N 34062-0022
34062-0003	BLACK	C	NO	NO	YES	PLANNED FOR OBSOLESCENCE SEE P/N 34062-0023
34062-0004	BLACK	D	NO	NO	YES	PLANNED FOR OBSOLESCENCE SEE P/N 34062-0024
34062-0005	BLACK	A	YES	NO	YES	PLANNED FOR OBSOLESCENCE SEE P/N 34062-0025
34062-0006	GRAY	B	YES	NO	YES	PLANNED FOR OBSOLESCENCE SEE REFERENCE P/N 34062-0026
34062-0007	BLACK	C	YES	NO	YES	PLANNED FOR OBSOLESCENCE SEE P/N 34062-0027
34062-0008	BLACK	D	YES	NO	YES	PLANNED FOR OBSOLESCENCE SEE P/N 34062-0028
34062-0009	GRAY	D	NO	NO	YES	PLANNED FOR OBSOLESCENCE SEE P/N 34062-0029
34062-0010	GRAY	D	YES	NO	YES	PLANNED FOR OBSOLESCENCE SEE P/N 34062-0030
34062-0011	BLACK	A	NO	YES	YES	PLANNED FOR OBSOLESCENCE SEE P/N 34062-0031
34062-0012	GRAY	B	NO	YES	NO	OBSOLETE
34062-0013	BLACK	C	NO	YES	NO	OBSOLETE
34062-0014	BLACK	D	NO	YES	NO	OBSOLETE
34062-0015	BLACK	A	YES	YES	YES	PLANNED FOR OBSOLESCENCE SEE P/N 34062-0036
34062-0016	GRAY	B	YES	YES	NO	OBSOLETE
34062-0017	BLACK	C	YES	YES	NO	OBSOLETE
34062-0018	BLACK	D	YES	YES	NO	OBSOLETE
34062-0019	GRAY	D	NO	YES	NO	OBSOLETE
34062-0020	GRAY	D	YES	YES	NO	OBSOLETE



- NOTES: UNLESS OTHERWISE SPECIFIED
- ASSEMBLY CONFORMS TO: SAE/JSCAR-12, REV 2; SAE/JSCAR-2 REV 4; EXCEPT TPA REMOVAL FROM FINAL LOCK - SECOND CYCLE. SHALL NOT BE LESS THAN 12 NEWTONS. SAE/JSCAR-20 DEC. 2001.
 - DESIGNED TO MATE WITH DEVICE CONNECTION AS SPECIFIED IN EWCAP DRAWING 150-5-002-1-201 REV A (9-18-2003).
 - ASSEMBLY SHIPPED WITH TPA IN PRE-LOCK POSITION (SEE SECTION B-B PRE-LOCK). UPON FULL TERMINAL ASSEMBLY, EACH TPA MUST BE SNAPPED INTO ITS FINAL-LOCK POSITION.
 - OPTIONAL CPA SHOWN IN ALL VIEWS. SEE TABLES FOR SPECIFIC ASSEMBLY OPTION AND NUMBER.
 - KEYING OPTION AND ASSEMBLY MACHINE IDENTIFIER.
 - RECYCLE CODE FOR PERMETER SEAL: SILICON 50 DROMETER HOUSING: PPE/PA-GF10 TPA/CPA: PFT-GF30
 - SYSTEM TESTED USING E58-ML 123-A, 16,18,20&22 AWG WIRE, MS-8288 AND MS9502 ARE ACCEPTABLE ALTERNATIVES.
 - FOR RECOMMENDED PART NUMBERS NOT SHOWN ON THIS DRAWING SEE SD-34062-002 & SD-34062-004.

QTY	DESCRIPTION	REF	QTY	DESCRIPTION	REF	QTY	DESCRIPTION	REF	QTY	DESCRIPTION	REF	QTY	DESCRIPTION	REF
22	0.50	34083-2003	34083-0003	RIGHT	TIN	22	7158-3030-50	120-170	RED	E-1644-01	119-165			
22	0.50	34083-3003	34083-1003	LEFT	TIN	22	7158-3030-50	120-170	RED	E-1644-01	119-165			
22	0.50	34081-2005	34081-0005	RIGHT	GOLD	22	7158-3030-50	120-170	RED	E-1644-01	119-165			
22	0.50	34081-3005	34081-1005	LEFT	GOLD	22	7158-3030-50	120-170	RED	E-1644-01	119-165			
20	0.75	34083-2002	34083-0002	RIGHT	TIN	18/20	7158-3031-90	163-240	BLUE	E-1644-00	160-210			
20	0.75	34083-3002	34083-1002	LEFT	TIN	18/20	7158-3031-90	163-240	BLUE	E-1644-00	160-210			
20	0.75	34081-2004	34081-0004	RIGHT	GOLD	18/20	7158-3031-90	163-240	BLUE	E-1644-00	160-210			
20	0.75	34081-3004	34081-1004	LEFT	GOLD	18/20	7158-3031-90	163-240	BLUE	E-1644-00	160-210			
18	1.0	34083-2002	34083-0002	RIGHT	TIN	18/20	7158-3031-90	163-240	BLUE	E-1644-00	160-210			
18	1.0	34083-3002	34083-1002	LEFT	TIN	18/20	7158-3031-90	163-240	BLUE	E-1644-00	160-210			
18	1.0	34081-2004	34081-0004	RIGHT	GOLD	18/20	7158-3031-90	163-240	BLUE	E-1644-00	160-210			
18	1.0	34081-3004	34081-1004	LEFT	GOLD	18/20	7158-3031-90	163-240	BLUE	E-1644-00	160-210			
16	1.5	34083-3001	34083-0001	RIGHT	TIN	14/16	7158-3031-90	163-240	BLUE	E-1644-02	210-250			
16	1.5	34081-3001	34081-0001	LEFT	TIN	14/16	7158-3031-90	163-240	BLUE	E-1644-02	210-250			
16	1.5	34081-2003	34081-0003	RIGHT	GOLD	16	7158-3031-90	163-240	BLUE	E-1644-02	210-250			
16	1.5	34081-3003	34081-1003	LEFT	GOLD	16	7158-3031-90	163-240	BLUE	E-1644-02	210-250			
	AWG	METRIC					YAZAKI P/N	WIRE OD RANGE	COLOR	OSR P/N	WIRE OD RANGE	COLOR		

ENTER DESCRIPTION EC NO. UAU2015-0516 DRAWING/REVISED 2015/06/27 APPROVED BY JEFFREY WOSHY 2015/06/25 REV	QUALITY SYMBOLS 	GENERAL TOLERANCES (UNLESS SPECIFIED) mm INCH 4 PLACES ± --- ± --- 3 PLACES ± --- ± --- 2 PLACES ± 0.10 ± --- 1 PLACE ± 0.3 ± --- 0 PLACE ± ±	DIMENSION STYLE MM ONLY DRAWN BY DATE L.P.LIM 2002/11/15 CHECKED BY DATE DKOEHLER 2002/11/25 APPROVED BY DATE CPENDLET 2002/11/25	SCALE 2:1 DESIGN UNITS METRIC THIRD ANGLE PROJECTION	CONNECTOR ASSEMBLY 2-WAY FUEL 15MM FEMALE FUEL INJECTOR CONNECTOR 	MATERIAL NO. SD-34062-001 DOCUMENT NO. 1 OF 1 SHEET NO.
	DRAFT WHERE APPLICABLE MUST REMAIN WITHIN DIMENSIONS		SEE TABLE	INCORPORATED AND SHOULD NOT BE USED WITHOUT WRITTEN PERMISSION		
			ANGULAR ± 3 °			
			RECYCLE CODE, LOCATION CODE, CIRCUIT ID			