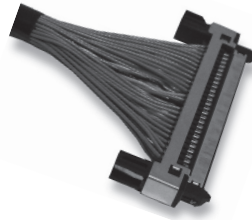


## Series HF507P Non-ZIF Adapter Plug for Discrete Wire HF507S Series

### Specifications

Insulation Resistance: 500MΩ min. at 125V DC  
 Contact Resistance: 50mΩ  
 Withstanding Voltage: 125V AC for 1 minute  
 Voltage Rating: 50V ACrms  
 Current Rating: 0.3A  
 Operating Temp. Range: -20°C to +85°C  
 Insertion / Extraction: 10 times



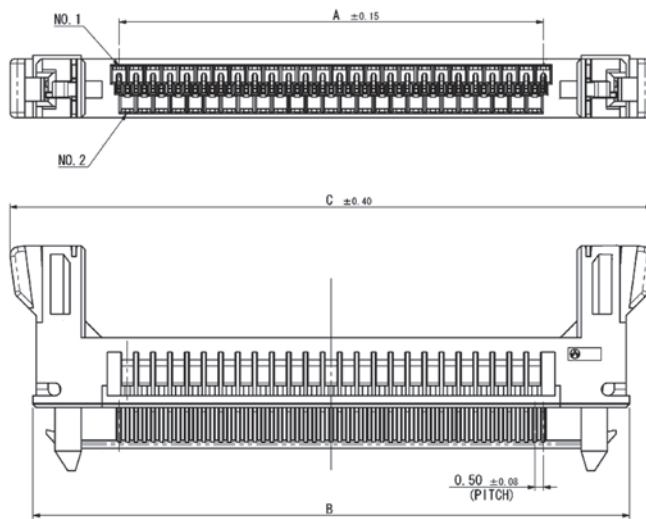
### Materials and Finish

Housing: LCP (GF), black  
 Lock Hold: SUS t = 0.2mm  
 Contacts: Phosphor Bronze, (t = 0.15mm) Ni-Au plating  
 Terminal: Phosphor Bronze, (t = 0.15mm) Ni-Au plating

### Features

- Standard crimp tool can be used
- Applicable wire AWG30/36 Standard
- Easy operation by side-locking mechanism prevents cable angular insertion and guarantees secure locking

### Outline Dimensions



### Part Number (Details)

HF507P - \*\* - 01 \*

Series No.

No. of Contacts  
(41 and 51)

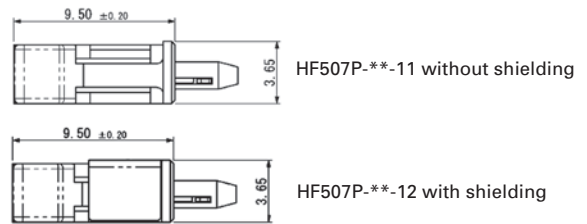
5 = Without Shielding  
6 = With Shielding

### Part Number Contacts (Details)

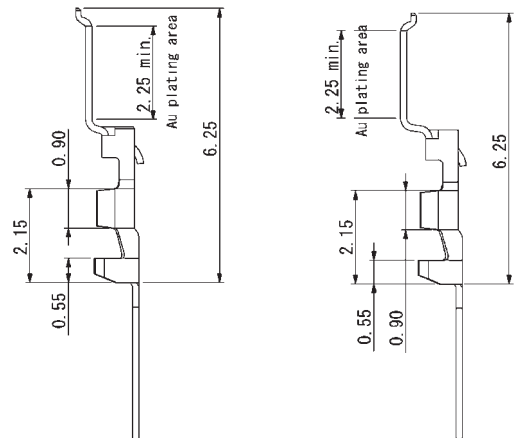
HF507P - CT379\* -CT

0 = Upper Contact  
1 = Lower Contact

**Note: Both contacts have to be ordered separately**



### Contact Details



Part Number	Pin Count	A	B	C
HF507P-41-0*	41	20.00	30.15	32.85
HF507P-51-0*	51	25.00	35.15	37.85

Non-ZIF Connectors for High Speed Cable

### Specifications

- Insulation Resistance: 100MΩ min.
- Contact Resistance: 100mΩ max.
- Withstanding Voltage: 125V ACrms for 1 minute
- Voltage Rating: 50V ACrms
- Current Rating: 0.3A
- Operating Temp. Range: -20°C to +85°C
- Differential Impedance: 100 Ω
- Insertion / Extraction: 30 times max.



### Materials and Finish

- Housing: LCP (GF), black
- Lock Hold: SUS t = 0.2mm
- Contacts: Phosphor Bronze, (t = 0.15mm) Ni-Au plating
- Terminal: Phosphor Bronze, (t = 0.15mm) Ni-Au plating

### Features

- Suitable for LVDS, HDMI, DVI, PCI express and S-ATA data transmission
- Easy operation by side-locking mechanism prevents cable angular insertion and guarantees secure locking

### Part Number (Details)

HF507S - 21 - \*\*

Series No.

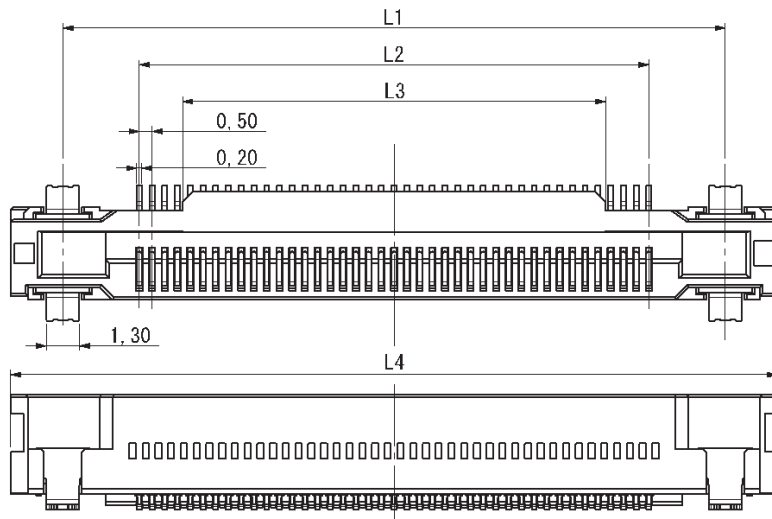
No. of Contacts  
(21, 31, 41 and 51)

02 = 180° Without Shielding  
04 = 180° With Shielding\*

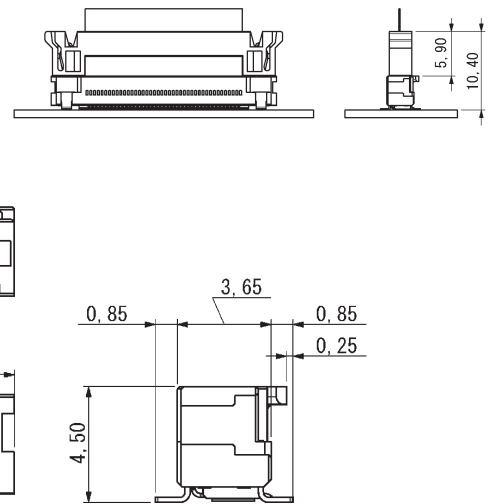
\*180° with shielding not available for 21 pin version

Applicable Cable  
see page C-5 to C-7

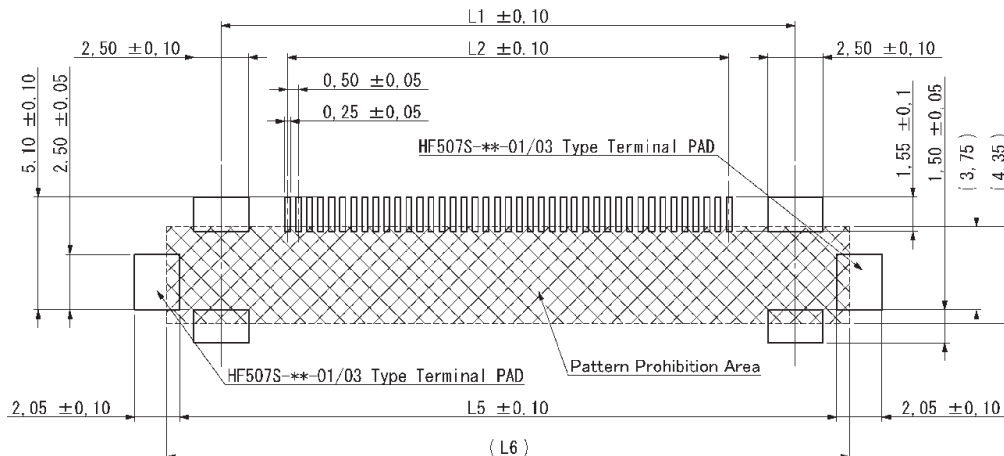
### Outline Dimensions for 180° Socket



### Orientation for 180° Socket



### Recommended PCB Layout



Part Number	Pin Count	L1	L2	L3	L4	L5	L6
HF507S-21-0*	21	16.00	10.00	6.60	20.10	19.75	20.95
HF507S-31-0*	31	21.00	15.00	11.60	25.10	24.75	25.95
HF507S-41-0*	41	26.00	20.00	16.60	30.10	29.75	30.95
HF507S-51-0*	51	31.00	25.00	21.60	35.10	34.75	35.95

## Series HF507S Non-ZIF 90° Socket for High Speed Applications

### Specifications

Insulation Resistance: 100MΩ min.  
 Contact Resistance: 100mΩ max.  
 Withstanding Voltage: 125V ACrms for 1 minute  
 Voltage Rating: 50V ACrms  
 Current Rating: 0.3A  
 Operating Temp. Range: -20°C to +85°C  
 Differential Impedance: 100 Ω  
 Insertion / Extraction: 30 times max.



### Materials and Finish

Housing: LCP (GF), black  
 Lock Hold: SUS t = 0.2mm  
 Contacts: Phosphor Bronze, (t = 0.15mm) Ni-Au plating  
 Terminal: Phosphor Bronze, (t = 0.15mm) Ni-Au plating

### Features

- Suitable for LVDS, HDMI, DVI, PCI express and S-ATA data transmission
- Easy operation by side-locking mechanism prevents cable angular insertion and guarantees secure locking

### Part Number (Details)

HF507S - 41 - \*\*

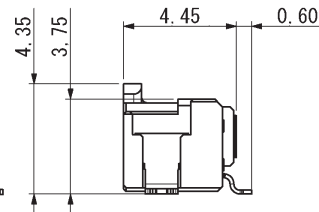
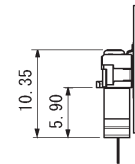
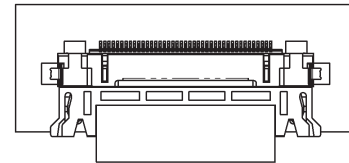
Series No.

No. of Contacts  
(21, 31, 41 and 51)

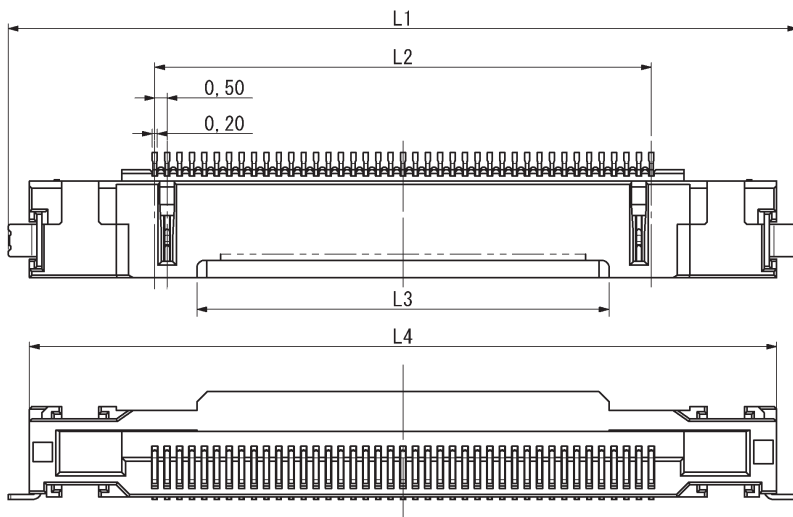
01 = 90° Without Shielding  
 03 = 90° With Shielding

Applicable Cable  
see page C-5 to C-7

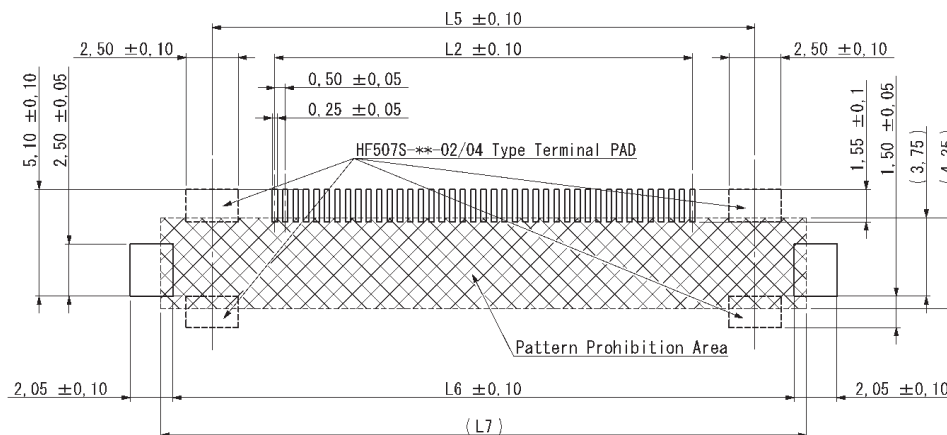
### Orientation for 90° Socket



### Outline Dimensions for 90° Socket



### Recommended PCB Layout



Part Number	Pin Count	L1	L2	L3	L4	L5	L6	L7
HF507S-21-0*	21	16.00	10.00	6.60	20.10	16.00	19.75	20.95
HF507S-31-0*	31	21.00	15.00	11.60	25.10	21.00	24.75	25.95
HF507S-41-0*	41	26.00	20.00	16.60	30.10	26.00	29.75	30.95
HF507S-51-0*	51	31.00	25.00	21.60	35.10	31.00	34.75	35.95

# Mouser Electronics

Authorized Distributor

Click to View Pricing, Inventory, Delivery & Lifecycle Information:

[Yamaichi Electronics:](#)

[HF507P-CT3790-CT-C](#) [HF507P-CT3791-CT-C](#)