

Features

- Size: 5 mm diameter, 7.2 mm length
- Surface mount design
- Symmetrical breakdown voltage (L-L, L-G)
- Low capacitance and insertion loss
- **UL**® UL Recognized
- RoHS compliant*

Applications

- Telecommunications equipment
- Industrial equipment/electronics
- Consumer electronics

2052 Series Light Duty 3-Electrode Symmetrical Gas Discharge Tube

Characteristics

Test Methods per ITU-T K.12 and IEC 61643-311.

Characteristic	Model No.							
	2052-23	2052-25	2052-35	2052-40	2052-42	2052-47	2052-60	2052-80
DC Sparkover $\pm 20\%$ @ 100 V/s (L-L, L-G)	230 V	250 V	350 V	400 V	420 V	470 V	600 V	800 V
Impulse Sparkover (L-L, L-G)								
100 V/ μ s	< 600 V	< 600 V	< 650 V	< 700 V	< 700 V	< 800 V	< 900 V	< 1150 V
1000 V/ μ s	< 700 V	< 700 V	< 750 V	< 800 V	< 800 V	< 900 V	< 1000 V	< 1400 V

Insulation Resistance (IR) ^{NOTE 1}	100/250 Vdc	> 1 G Ω
Glow Voltage	10 mA	~ 70 V
Arc Voltage	1 A	~ 10 V
Glow-Arc Transition Current		< 1 A
Maximum Capacitance	1 MHz	< 2 pF
Maximum Impulse Discharge Current	10,000 A, 8/20 μ s	1 operation
	5,000 A, 8/20 μ s	10 operations
Nominal Alternating Discharge Current	5 A, 50 Hz, 1 sec.	1 operation
	20 A, 9 cycles	1 operation
Impulse Life	200 A, 10/1000 μ s	150 operations
DC Holdover Voltage ^{NOTE 2}	> 135 V	< 150 ms
Operating Temperature		-30 to +85 °C
Storage Temperature		-40 to +115 °C
Climatic Category (IEC 60068-1)		40/90/21

Notes:

- **UL Recognized component, UL File E153537.**
- At delivery AQL 0.65 AQL Level II, DIN ISO 2859.
- The rated discharge current is the total current equally divided between each line to ground (ELTG).

Note 1: DC Sparkover Voltage	IR Measuring Voltage
145-400 V	100 V
420-800 V	250 V

Note 2: Network Applied.

BOURNS®

Asia-Pacific: Tel: +886-2 2562-4117 • Fax: +886-2 2562-4116

Europe: Tel: +41-41 768 5555 • Fax: +41-41 768 5510

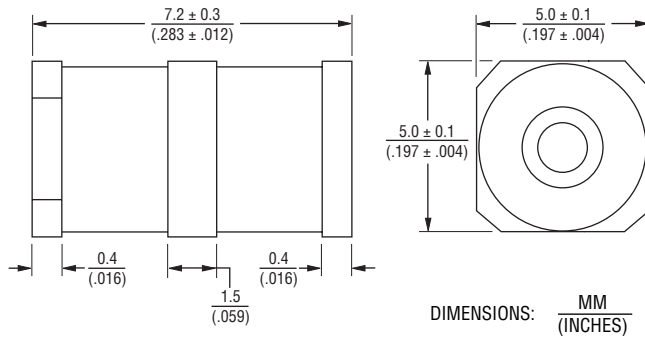
The Americas: Tel: +1-951 781-5500 • Fax: +1-951 781-5700

www.bourns.com

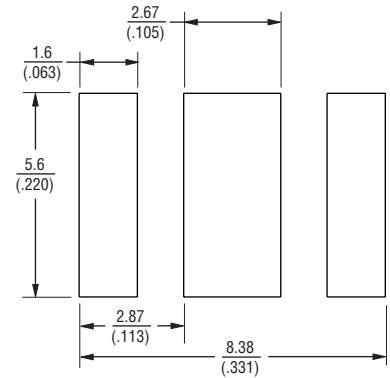
2052 Series Light Duty 3-Electrode Symmetrical Gas Discharge Tube



Product Dimensions

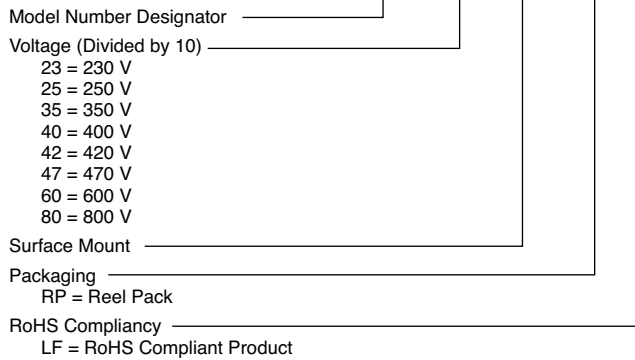


Recommended Pad Layout



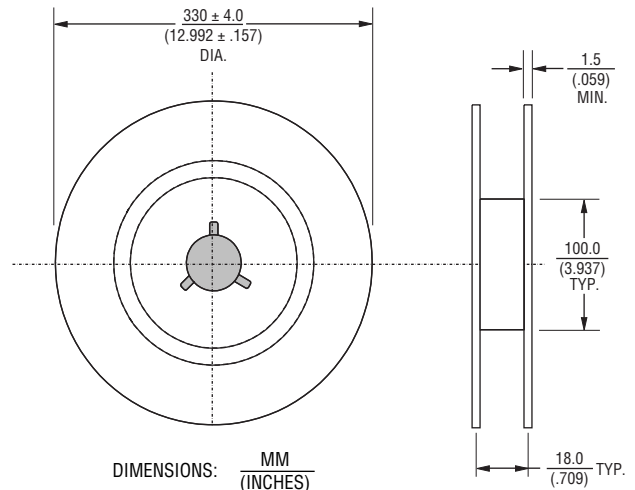
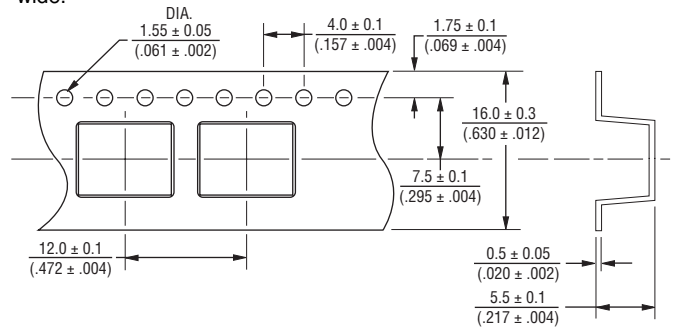
How to Order

2052 - xx - SM - RP LF



Packaging Specifications

Model 2052-xx-SM-RPLF (Reel Pack) contains 900 pieces per reel, 2,700 pieces per box. The reel is 330 mm in diameter and 18 mm wide.



REV. A 06/12

Specifications are subject to change without notice. Customers should verify actual device performance in their specific applications.

Mouser Electronics

Authorized Distributor

Click to View Pricing, Inventory, Delivery & Lifecycle Information:

Bourns:

[2052-25-SM-RPLF](#) [2052-23-SM-RPLF](#) [2052-35-SM-RPLF](#) [2052-40-SM-RPLF](#) [2052-42-SM-RPLF](#) [2052-47-SM-RPLF](#) [2052-60-SM-RPLF](#) [2052-80-SM-RPLF](#)