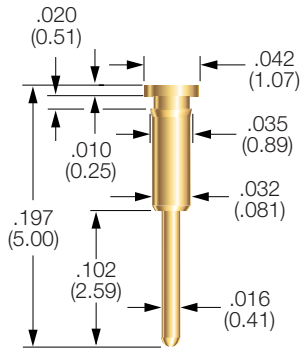


Target Contact

PI-5328



PIN SPECIFICATIONS

Mounting Hole: .034 (0.86)

MATERIALS

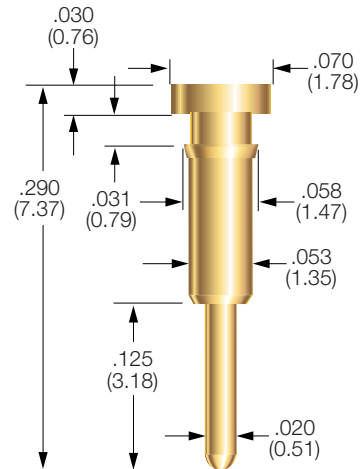
Material: Brass

Plating: Gold over nickel

HOW TO ORDER

PI-5328

PI-5329



PIN SPECIFICATIONS

Mounting Hole: .057 (1.45)

MATERIALS

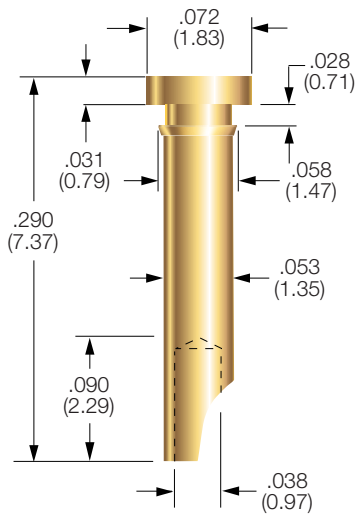
Material: Brass

Plating: Gold over nickel

HOW TO ORDER

PI-5329

PI-5327



PIN SPECIFICATIONS

Mounting Hole: .057 (1.45)

MATERIALS

Material: Brass

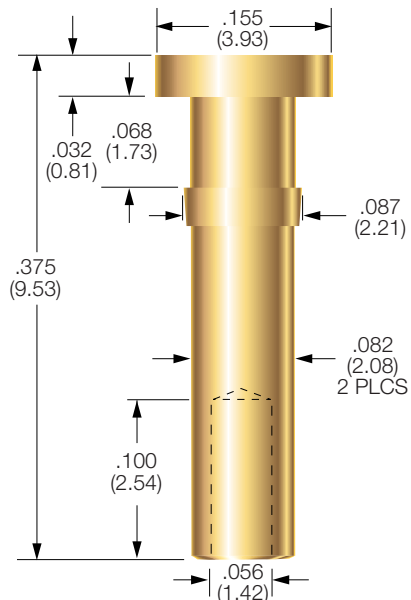
Plating: Gold over nickel

HOW TO ORDER

PI-5327

Specifications subject to change without notice. Dimensions in inches (millimeters)

PI-5330



PIN SPECIFICATIONS

Mounting Hole: .084 (2.15)

MATERIALS

Material: Brass

Plating: Gold over nickel

HOW TO ORDER

PI-5330

Mouser Electronics

Authorized Distributor

Click to View Pricing, Inventory, Delivery & Lifecycle Information:

[IDI:](#)

[PI-5330](#) [PI-5329](#) [PI-5327](#) [PI-5328](#)