

## Features

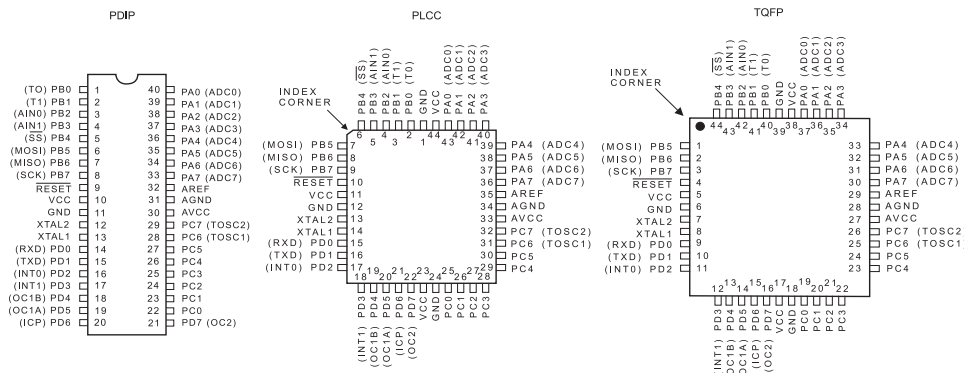
- Utilizes the AVR<sup>®</sup> Enhanced RISC Architecture
- AVR - High Performance and Low Power RISC Architecture
- 118 Powerful Instructions - Most Single Clock Cycle Execution
- 8K bytes of In-System Programmable Flash AT90S/LS8535  
4K bytes of In-System Programmable Flash AT90S/LS4434
  - SPI Serial Interface for In-System Programming
  - Endurance: 1,000 Write/Erase Cycles
- 512 bytes EEPROM AT90S/LS8535  
256 bytes EEPROM AT90S/LS4434
  - Endurance: 100,000 Write/Erase Cycles
- 512 bytes Internal SRAM AT90S/LS8535  
256 bytes Internal SRAM AT90S/LS4434
- 8-Channel, 10-Bit ADC
- 32 x 8 General Purpose Working Registers
- 32 Programmable I/O Lines
- Programmable Serial UART
- V<sub>CC</sub>: 4.0 - 6.0V AT90S4434/AT90S8535
- V<sub>CC</sub>: 2.7 - 6.0V AT90LS4434/AT90LS8535
- Speed Grades:
  - 0 - 8 MHz AT90S4434/AT90S8535,
  - 0 - 4 MHz (AT90LS4434/AT90LS8535)
- Power-On Reset Circuit
- Up to 8 MIPS Throughput at 8 MHz
- RTC with Separate Oscillator and Counter Mode
- Two 8-Bit Timer/Counters with Separate Prescaler and Compare Mode
- One 16-Bit Timer/Counter with Separate Prescaler and Compare and Capture Modes
- 3 PWM channels
- External and Internal Interrupt Sources
- Programmable Watchdog Timer with On-Chip Oscillator
- On-Chip Analog Comparator
- Three Sleep Modes: Idle, Power Save, and Power Down
- Programming Lock for Software Security

## Description

The AT90S4434/8535 is a low-power CMOS 8-bit microcontroller based on the AVR<sup>®</sup> enhanced RISC architecture. By executing powerful instructions in a single clock cycle, the AT90S4434/8535 achieves throughputs approaching 1 MIPS per MHz allowing the system designer to optimize power consumption versus processing speed.

(continued)

## Pin Configurations



8-Bit **AVR**<sup>®</sup>  
Microcontroller  
with 4K/8K  
Bytes In-System  
Programmable  
Flash

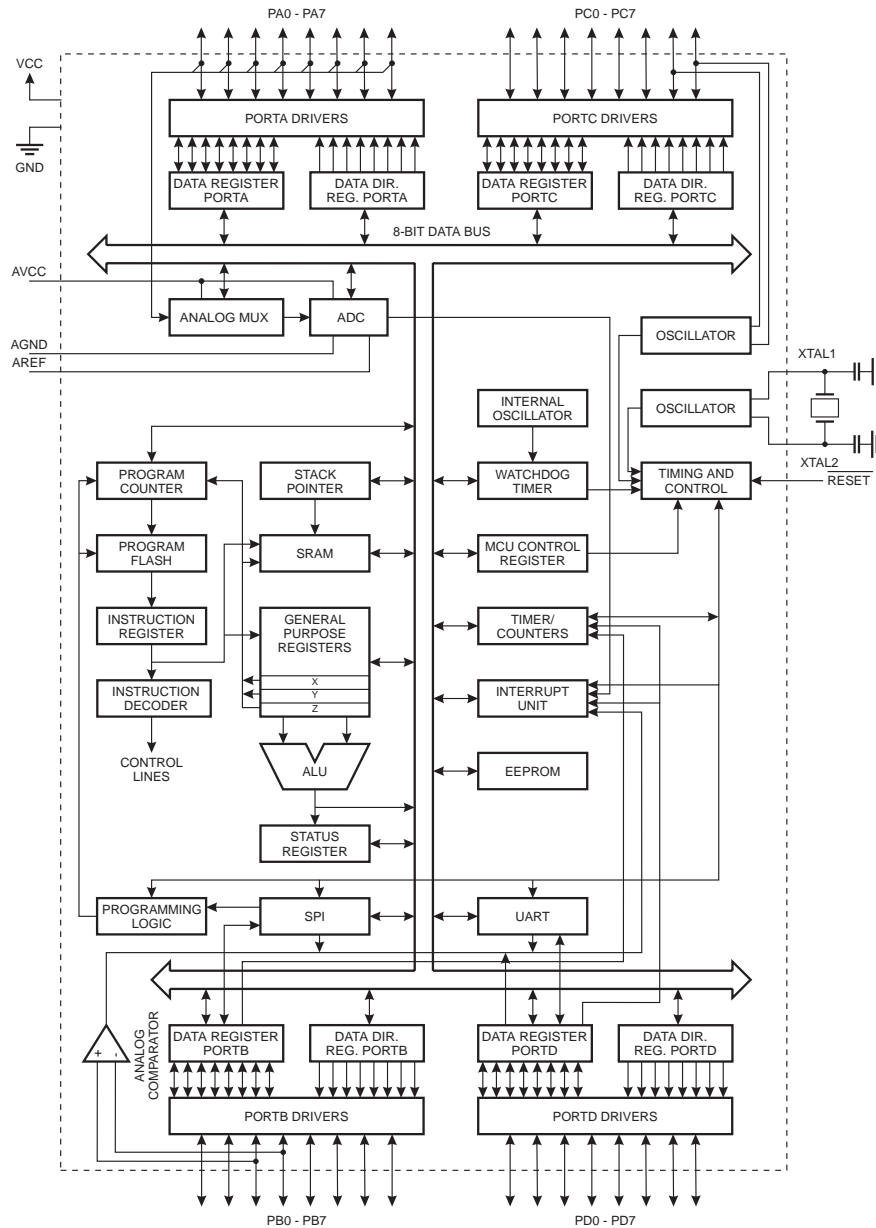
**AT90S4434**  
**AT90LS4434**  
**AT90S8535**  
**AT90LS8535**  
**Advance**  
**Information**

Rev. 1041AS-05/98



Note: This is a summary document. For the complete 80 page document, please visit our website at [www.atmel.com](http://www.atmel.com) or e-mail at [literature@atmel.com](mailto:literature@atmel.com) and request literature #1041A.

## Block Diagram



The AVR core combines a rich instruction set with 32 general purpose working registers. All the 32 registers are directly connected to the Arithmetic Logic Unit (ALU), allowing two independent registers to be accessed in one single instruction executed in one clock cycle. The resulting architecture is more code efficient while achieving throughputs up to ten times faster than conventional CISC micro-controllers.

The AT90S4434/8535 provides the following features: 4K/8K bytes of In-System Programmable Flash, 256/512 bytes EEPROM, 256/512 bytes SRAM, 32 general purpose I/O lines, 32 general purpose working registers, RTC, three flexible timer/counters with compare modes, internal and

external interrupts, a programmable serial UART, 8-channel, 10-bit ADC, programmable Watchdog Timer with internal oscillator, an SPI serial port and three software selectable power saving modes. The Idle mode stops the CPU while allowing the SRAM, timer/counters, SPI port and interrupt system to continue functioning. The Power Down mode saves the register contents but freezes the oscillator, disabling all other chip functions until the next interrupt or hardware reset. In Power Save mode, the timer oscillator continues to run, allowing the user to maintain a timer base while the rest of the device is sleeping.

The device is manufactured using Atmel's high density non-volatile memory technology. The on-chip ISP Flash

allows the program memory to be reprogrammed in-system through an SPI serial interface or by a conventional nonvolatile memory programmer. By combining an 8-bit RISC CPU with In-System Programmable Flash on a monolithic chip, the Atmel AT90S4434/8535 is a powerful microcontroller that provides a highly flexible and cost effective solution to many embedded control applications.

The AT90S4434/8535 AVR is supported with a full suite of program and system development tools including: C compilers, macro assemblers, program debugger/simulators, in-circuit emulators, and evaluation kits.

### Comparison between AT90S4434 and AT90S8535

The AT90S4434 has 4K bytes of In-System Programmable Flash, 256 bytes of EEPROM, and 256 bytes of internal SRAM.

The AT90S8535 has 8K bytes of In-System Programmable Flash, 512 bytes of EEPROM, and 512 bytes of internal SRAM.

Table 1 summarizes the different memory sizes for the two devices.

**Table 1.** Memory Size Summary

| Part      | Flash    | EEPROM    | SRAM      |
|-----------|----------|-----------|-----------|
| AT90S4434 | 4K bytes | 256 bytes | 256 bytes |
| AT90S8535 | 8K bytes | 512 bytes | 512 bytes |

## Pin Descriptions

### VCC

Digital supply voltage

### GND

Digital ground

### Port A (PA7..PA0)

Port A is an 8-bit bi-directional I/O port. Port pins can provide internal pull-up resistors (selected for each bit). The Port A output buffers can sink 20mA and can drive LED displays directly. When pins PA0 to PA7 are used as inputs and are externally pulled low, they will source current if the internal pull-up resistors are activated.

Port A also serves as the analog inputs to the A/D Converter.

### Port B (PB7..PB0)

Port B is an 8-bit bi-directional I/O pins with internal pull-up resistors. The Port B output buffers can sink 20 mA. As inputs, Port B pins that are externally pulled low will source current if the pull-up resistors are activated.

Port B also serves the functions of various special features of the AT90S4434/8535 as listed on page 52.

### Port C (PC7..PC0)

Port C is an 8-bit bi-directional I/O port with internal pullup resistors. The Port C output buffers can sink 20 mA. As inputs, Port C pins that are externally pulled low will source current if the pull-up resistors are activated. Two Port C pins can alternatively be used as oscillator for Timer/Counter2.

### Port D (PD7..PD0)

Port D is an 8-bit bidirectional I/O port with internal pull-up resistors. The Port D output buffers can sink 20 mA. As inputs, Port D pins that are externally pulled low will source current if the pull-up resistors are activated.

Port D also serves the functions of various special features of the AT90S4434/8535 as listed on page 59.

### RESET

Reset input. A low on this pin for two machine cycles while the oscillator is running resets the device.

### XTAL1

Input to the inverting oscillator amplifier and input to the internal clock operating circuit.

### XTAL2

Output from the inverting oscillator amplifier

### AVCC

This is the supply voltage pin for the A/D Converter. It should be externally connected to VCC via a low-pass filter. See page 47 for details on operation of the ADC.

### AREF

This is the analog reference input for the A/D Converter. For ADC operations, a voltage in the range AGND to AV<sub>CC</sub> must be applied to this pin.

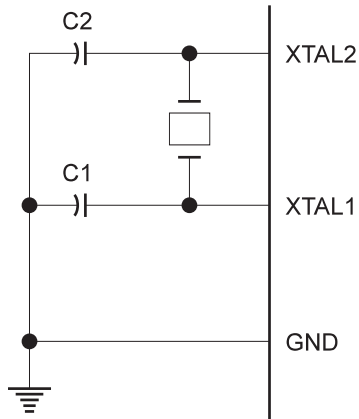
### AGND

Analog ground. If the board has a separate analog ground plane, this pin should be connected to this ground plane. Otherwise, connect to GND.

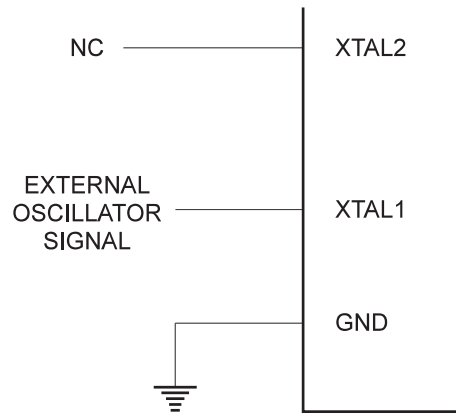
## Crystal Oscillators

XTAL1 and XTAL2 are input and output, respectively, of an inverting amplifier which can be configured for use as an on-chip oscillator, as shown in Figure 1. Either a quartz crystal or a ceramic resonator may be used. To drive the device from an external clock source, XTAL2 should be left unconnected while XTAL1 is driven as shown in Figure 2. For the Timer Oscillator pins, PC6(OSC1) and PC7(OSC2), the crystal is connected directly between the pins. No external capacitors are needed. The oscillator is optimized for use with a 32,768 Hz watch crystal. An external clock signal applied to this pin goes through the same amplifier having a bandwidth of 256 kHz. The external clock signal should therefore be in the interval 0 Hz - 256 kHz.

**Figure 1. Oscillator Connections**



**Figure 2. External Clock Drive Configuration**

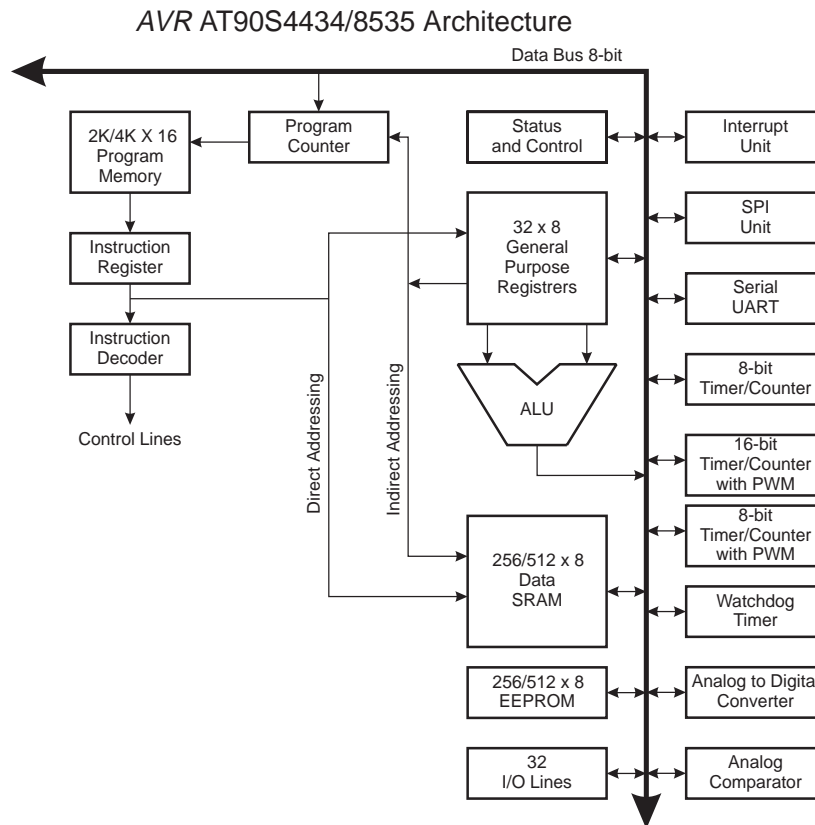


**Architectural Overview**

The fast-access register file concept contains 32 x 8-bit general purpose working registers with a single clock cycle access time. This means that during one single clock cycle, one Arithmetic Logic Unit (ALU) operation is executed. Two operands are output from the register file, the operation is executed, and the result is stored back in the register file - in one clock cycle.

Six of the 32 registers can be used as three 16-bit indirect address register pointers for Data Space addressing - enabling efficient address calculations. One of the three address pointers is also used as the address pointer for the constant table look up function. These added function registers are the 16-bit X-register, Y-register and Z-register.

**Figure 3. The AT90S4434/8535 AVR Enhanced RISC Architecture**



The ALU supports arithmetic and logic functions between registers or between a constant and a register. Single register operations are also executed in the ALU. Figure 3 shows the AT90S4434/8535 AVR Enhanced RISC microcontroller architecture.

In addition to the register operation, the conventional memory addressing modes can be used on the register file as well. This is enabled by the fact that the register file is assigned the 32 lowermost Data Space addresses (\$00 - \$1F), allowing them to be accessed as though they were ordinary memory locations.

The I/O memory space contains 64 addresses for CPU peripheral functions as Control Registers, Timer/Counters, A/D-converters, and other I/O functions. The I/O Memory can be accessed directly, or as the Data Space locations following those of the register file, \$20 - \$5F.

The AVR uses a Harvard architecture concept - with separate memories and buses for program and data. The program memory is executed with a single level pipelining. While one instruction is being executed, the next instruction is pre-fetched from the program memory. This concept

enables instructions to be executed in every clock cycle. The program memory is in-system downloadable Flash memory.

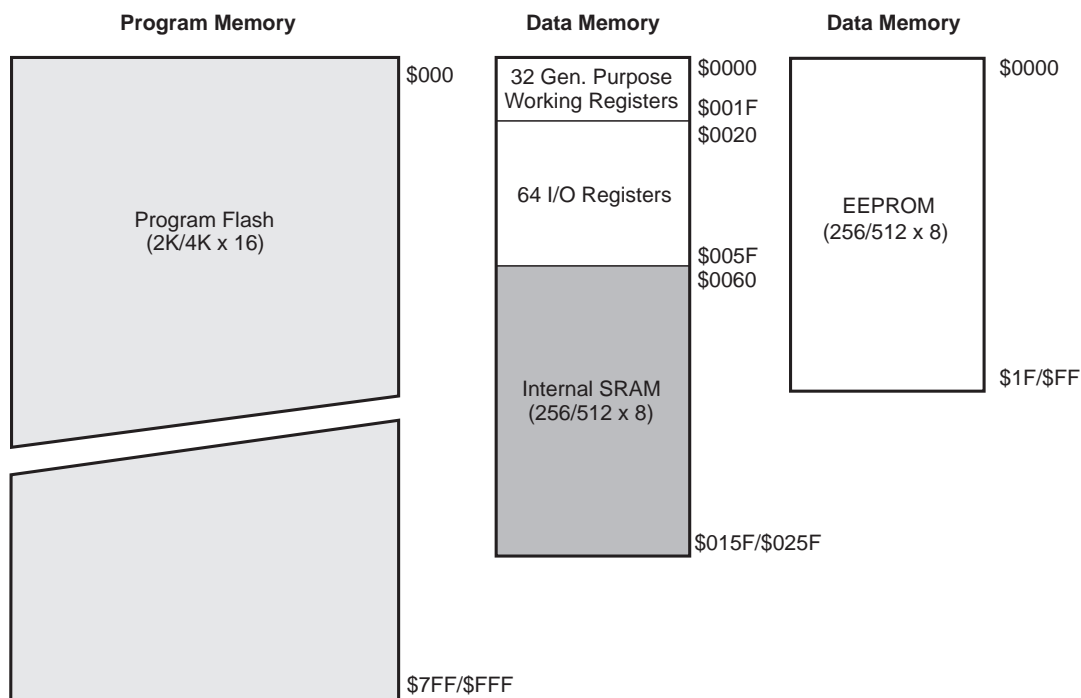
With the relative jump and call instructions, the whole 2K/4K address space is directly accessed. Most AVR instructions have a single 16-bit word format. Every program memory address contains a 16- or 32-bit instruction.

During interrupts and subroutine calls, the return address program counter (PC) is stored on the stack. The stack is effectively allocated in the general data SRAM, and consequently the stack size is only limited by the total SRAM size and the usage of the SRAM. All user programs must initialize the SP in the reset routine (before subroutines or interrupts are executed). The 9-bit stack pointer SP is read/write accessible in the I/O space.

The 256/512 bytes data SRAM can be easily accessed through the five different addressing modes supported in the AVR architecture.

The memory spaces in the AVR architecture are all linear and regular memory maps.

**Figure 4. Memory Maps**





## AT90S4434/8535 Register Summary

| Address     | Name     | Bit 7  | Bit 6  | Bit 5  | Bit 4  | Bit 3  | Bit 2  | Bit 1  | Bit 0  | Page |
|-------------|----------|--|--------|--------|--------|--------|--------|--------|--------|------|
| \$3F (\$5F) | SREG     | I  | T      | H      | S      | V      | N      | Z      | C      | 21   |
| \$3E (\$5E) | SPH      | -  | -      | -      | -      | -      | -      | SP9    | SP8    | 22   |
| \$3D (\$5D) | SPL      | SP7  | SP6    | SP5    | SP4    | SP3    | SP2    | SP1    | SP0    | 22   |
| \$3C (\$5C) | Reserved |  |        |        |        |        |        |        |        |      |
| \$3B (\$5B) | GIMSK    | INT1   | INT0   | -      | -      | -      | -      | -      | -      | 28   |
| \$3A (\$5A) | GIFR     | INTF1  | INTF0  |        |        |        |        |        |        | 28   |
| \$39 (\$59) | TIMSK    | OCIE2  | TOIE2  | TICIE1 | OCIE1A | OCIE1B | TOIE1  | -      | TOIE0  | 29   |
| \$38 (\$58) | TIFR     | OCF2   | TOV2   | ICF1   | OCF1A  | OCF1B  | TOV1   | -      | TOV0   | 30   |
| \$37 (\$57) | Reserved |  |        |        |        |        |        |        |        |      |
| \$36 (\$56) | Reserved |  |        |        |        |        |        |        |        |      |
| \$35 (\$55) | MCUCR    | -  | SE     | SM1    | SM0    | ISC11  | ISC10  | ISC01  | ISC00  | 31   |
| \$34 (\$54) | MCUSR    | -  | -      | -      | -      | -      | -      | EXTRF  | PORF   | 27   |
| \$33 (\$53) | TCCR0    | -  | -      | -      | -      | -      | CS02   | CS01   | CS00   | 35   |
| \$32 (\$52) | TCNT0    | Timer/Counter0 (8 Bits)                              |        |        |        |        |        |        |        | 36   |
| \$31 (\$51) | Reserved |  |        |        |        |        |        |        |        |      |
| \$30 (\$50) | Reserved |  |        |        |        |        |        |        |        |      |
| \$2F (\$4F) | TCCR1A   | COM1A1   | COM1A0 | COM1B1 | COM1B0 | -      | -      | PWM11  | PWM10  | 38   |
| \$2E (\$4E) | TCCR1B   | ICNC1  | ICES1  | -      | -      | CTC1   | CS12   | CS11   | CS10   | 39   |
| \$2D (\$4D) | TCNT1H   | Timer/Counter1 - Counter Register High Byte          |        |        |        |        |        |        |        | 40   |
| \$2C (\$4C) | TCNT1L   | Timer/Counter1 - Counter Register Low Byte           |        |        |        |        |        |        |        | 40   |
| \$2B (\$4B) | OCR1AH   | Timer/Counter1 - Output Compare Register A High Byte |        |        |        |        |        |        |        | 41   |
| \$2A (\$4A) | OCR1AL   | Timer/Counter1 - Output Compare Register A Low Byte  |        |        |        |        |        |        |        | 41   |
| \$29 (\$49) | OCR1BH   | Timer/Counter1 - Output Compare Register B High Byte |        |        |        |        |        |        |        | 41   |
| \$28 (\$48) | OCR1BL   | Timer/Counter1 - Output Compare Register B Low Byte  |        |        |        |        |        |        |        | 41   |
| \$27 (\$47) | ICR1H    | Timer/Counter1 - Input Capture Register High Byte    |        |        |        |        |        |        |        | 41   |
| \$26 (\$46) | ICR1L    | Timer/Counter1 - Input Capture Register Low Byte     |        |        |        |        |        |        |        | 41   |
| \$25 (\$45) | TCCR2    | -  | PWM2   | COM21  | COM20  | CTC2   | CS22   | CS21   | CS20   | 45   |
| \$24 (\$44) | TCNT2    | Timer/Counter2 (8 Bits)                              |        |        |        |        |        |        |        | 46   |
| \$23 (\$43) | OCR2     | Timer/Counter2 Output Compare Register               |        |        |        |        |        |        |        | 46   |
| \$22 (\$42) | ASSR     | -  | -      | -      | -      | AS2    | TCN2UB | OCR2UB | TCR2UB | 48   |
| \$21 (\$41) | WDTCR    | -  | -      | -      | WDT0E  | WDE    | WDP2   | WDP1   | WDP0   | 50   |
| \$20 (\$40) | Reserved |  |        |        |        |        |        |        |        |      |
| \$1F (\$3F) | EEARH    |  |        |        |        |        |        |        | EEAR9  |      |
| \$1E (\$3E) | EEARL    | EEAR7  | EEAR6  | EEAR5  | EEAR4  | EEAR3  | EEAR2  | EEAR1  | EEAR0  | 51   |
| \$1D (\$3D) | EEDR     | EEPROM Data Register                                 |        |        |        |        |        |        |        | 51   |
| \$1C (\$3C) | EECR     | -  | -      | -      | -      | EERIE  | EEMWE  | EEWE   | EERE   | 52   |
| \$1B (\$3B) | PORTA    | PORTA7   | PORTA6 | PORTA5 | PORTA4 | PORTA3 | PORTA2 | PORTA1 | PORTA0 | 70   |
| \$1A (\$3A) | DDRA     | DDA7   | DDA6   | DDA5   | DDA4   | DDA3   | DDA2   | DDA1   | DDA0   | 70   |
| \$19 (\$39) | PINA     | PINA7  | PINA6  | PINA5  | PINA4  | PINA3  | PINA2  | PINA1  | PINA0  | 70   |
| \$18 (\$38) | PORTB    | PORTB7   | PORTB6 | PORTB5 | PORTB4 | PORTB3 | PORTB2 | PORTB1 | PORTB0 | 72   |
| \$17 (\$37) | DDRB     | DDB7   | DDB6   | DDB5   | DDB4   | DDB3   | DDB2   | DDB1   | DDB0   | 72   |
| \$16 (\$36) | PINB     | PINB7  | PINB6  | PINB5  | PINB4  | PINB3  | PINB2  | PINB1  | PINB0  | 72   |
| \$15 (\$35) | PORTC    | PORTC7   | PORTC6 | PORTC5 | PORTC4 | PORTC3 | PORTC2 | PORTC1 | PORTC0 | 78   |
| \$14 (\$34) | DDRC     | DDC7   | DDC6   | DDC5   | DDC4   | DDC3   | DDC2   | DDC1   | DDC0   | 78   |
| \$13 (\$33) | PINC     | PINC7  | PINC6  | PINC5  | PINC4  | PINC3  | PINC2  | PINC1  | PINC0  | 78   |
| \$12 (\$32) | PORTD    | PORTD7   | PORTD6 | PORTD5 | PORTD4 | PORTD3 | PORTD2 | PORTD1 | PORTD0 | 81   |
| \$11 (\$31) | DDRD     | DDD7   | DDD6   | DDD5   | DDD4   | DDD3   | DDD2   | DDD1   | DDD0   | 81   |
| \$10 (\$30) | PIND     | PIND7  | PIND6  | PIND5  | PIND4  | PIND3  | PIND2  | PIND1  | PIND0  | 81   |
| \$0F (\$2F) | SPDR     | SPI Data Register                                    |        |        |        |        |        |        |        | 57   |
| \$0E (\$2E) | SPSR     | SPIF   | WCOL   | -      | -      | -      | -      | -      | -      | 56   |
| \$0D (\$2D) | SPCR     | SPIE   | SPE    | DORD   | MSTR   | CPOL   | CPHA   | SPR1   | SPR0   | 56   |
| \$0C (\$2C) | UDR      | UART I/O Data Register                               |        |        |        |        |        |        |        | 60   |
| \$0B (\$2B) | USR      | RXC  | TXC    | UDRE   | FE     | OR     | -      | -      | -      | 60   |
| \$0A (\$2A) | UCR      | RXCIE  | TXCIE  | UDRIE  | RXEN   | TXEN   | CHR9   | RXB8   | TXB8   | 61   |
| \$09 (\$29) | UBRR     | UART Baud Rate Register                              |        |        |        |        |        |        |        |      |
| \$08 (\$28) | ACSR     | ACD  | -      | ACO    | ACI    | ACIE   | ACIC   | ACIS1  | ACIS0  | 67   |
| \$07 (\$27) | ADMUX    | -  | -      | -      | -      | -      | MUX2   | MUX1   | MUX0   | 67   |
| \$06 (\$26) | ADCSR    | ADEN   | ADSC   | ADFR   | ADIF   | ADIE   | ADPS2  | ADPS1  | ADPS0  | 67   |
| \$05 (\$25) | ADCH     | -  | -      | -      | -      | -      | -      | ADC9   | ADC8   | 68   |
| \$04 (\$24) | ADCL     | ADC7   | ADC6   | ADC5   | ADC4   | ADC3   | ADC2   | ADC1   | ADC0   | 68   |
| \$03 (\$20) | Reserved |  |        |        |        |        |        |        |        |      |
| \$02 (\$22) | Reserved |  |        |        |        |        |        |        |        |      |
| \$01 (\$21) | Reserved |  |        |        |        |        |        |        |        |      |
| \$00 (\$20) | Reserved |  |        |        |        |        |        |        |        |      |

## AT90S4434/8535 Instruction Set Summary

| Mnemonics                                | Operands | Description                            | Operation  | Flags      | #Clocks |
|--|----------|--|--|------------|---------|
| <b>ARITHMETIC AND LOGIC INSTRUCTIONS</b> |          |  |  |            |         |
| ADD                                      | Rd, Rr   | Add two Registers                      | $Rd \leftarrow Rd + Rr$                          | Z,C,N,V,H  | 1       |
| ADC                                      | Rd, Rr   | Add with Carry two Registers           | $Rd \leftarrow Rd + Rr + C$                      | Z,C,N,V,H  | 1       |
| ADIW                                     | Rdl,K    | Add Immediate to Word                  | $Rdh:Rdl \leftarrow Rdh:Rdl + K$                 | Z,C,N,V,S  | 2       |
| SUB                                      | Rd, Rr   | Subtract two Registers                 | $Rd \leftarrow Rd - Rr$                          | Z,C,N,V,H  | 1       |
| SUBI                                     | Rd, K    | Subtract Constant from Register        | $Rd \leftarrow Rd - K$                           | Z,C,N,V,H  | 1       |
| SBC                                      | Rd, Rr   | Subtract with Carry two Registers      | $Rd \leftarrow Rd - Rr - C$                      | Z,C,N,V,H  | 1       |
| SBCI                                     | Rd, K    | Subtract with Carry Constant from Reg. | $Rd \leftarrow Rd - K - C$                       | Z,C,N,V,H  | 1       |
| SBIW                                     | Rdl,K    | Subtract Immediate from Word           | $Rdh:Rdl \leftarrow Rdh:Rdl - K$                 | Z,C,N,V,S  | 2       |
| AND                                      | Rd, Rr   | Logical AND Registers                  | $Rd \leftarrow Rd \bullet Rr$                    | Z,N,V      | 1       |
| ANDI                                     | Rd, K    | Logical AND Register and Constant      | $Rd \leftarrow Rd \bullet K$                     | Z,N,V      | 1       |
| OR                                       | Rd, Rr   | Logical OR Registers                   | $Rd \leftarrow Rd \vee Rr$                       | Z,N,V      | 1       |
| ORI                                      | Rd, K    | Logical OR Register and Constant       | $Rd \leftarrow Rd \vee K$                        | Z,N,V      | 1       |
| EOR                                      | Rd, Rr   | Exclusive OR Registers                 | $Rd \leftarrow Rd \oplus Rr$                     | Z,N,V      | 1       |
| COM                                      | Rd       | One's Complement                       | $Rd \leftarrow \$FF - Rd$                        | Z,C,N,V    | 1       |
| NEG                                      | Rd       | Two's Complement                       | $Rd \leftarrow \$00 - Rd$                        | Z,C,N,V,H  | 1       |
| SBR                                      | Rd,K     | Set Bit(s) in Register                 | $Rd \leftarrow Rd \vee K$                        | Z,N,V      | 1       |
| CBR                                      | Rd,K     | Clear Bit(s) in Register               | $Rd \leftarrow Rd \bullet (\$FF - K)$            | Z,N,V      | 1       |
| INC                                      | Rd       | Increment                              | $Rd \leftarrow Rd + 1$                           | Z,N,V      | 1       |
| DEC                                      | Rd       | Decrement                              | $Rd \leftarrow Rd - 1$                           | Z,N,V      | 1       |
| TST                                      | Rd       | Test for Zero or Minus                 | $Rd \leftarrow Rd \bullet Rd$                    | Z,N,V      | 1       |
| CLR                                      | Rd       | Clear Register                         | $Rd \leftarrow Rd \oplus Rd$                     | Z,N,V      | 1       |
| SER                                      | Rd       | Set Register                           | $Rd \leftarrow \$FF$                             | None       | 1       |
| <b>BRANCH INSTRUCTIONS</b>               |          |  |  |            |         |
| RJMP                                     | k        | Relative Jump                          | $PC \leftarrow PC + k + 1$                       | None       | 2       |
| IJMP                                     |          | Indirect Jump to (Z)                   | $PC \leftarrow Z$                                | None       | 2       |
| RCALL                                    | k        | Relative Subroutine Call               | $PC \leftarrow PC + k + 1$                       | None       | 3       |
| ICALL                                    |          | Indirect Call to (Z)                   | $PC \leftarrow Z$                                | None       | 3       |
| RET                                      |          | Subroutine Return                      | $PC \leftarrow STACK$                            | None       | 4       |
| RETI                                     |          | Interrupt Return                       | $PC \leftarrow STACK$                            | I          | 4       |
| CPSE                                     | Rd,Rr    | Compare, Skip if Equal                 | if (Rd = Rr) $PC \leftarrow PC + 2$ or 3         | None       | 1 / 2   |
| CP                                       | Rd,Rr    | Compare                                | $Rd - Rr$  | Z, N,V,C,H | 1       |
| CPC                                      | Rd,Rr    | Compare with Carry                     | $Rd - Rr - C$                                    | Z, N,V,C,H | 1       |
| CPI                                      | Rd,K     | Compare Register with Immediate        | $Rd - K$   | Z, N,V,C,H | 1       |
| SBRC                                     | Rr, b    | Skip if Bit in Register Cleared        | if (Rr(b)=0) $PC \leftarrow PC + 2$ or 3         | None       | 1 / 2   |
| SBRS                                     | Rr, b    | Skip if Bit in Register is Set         | if (Rr(b)=1) $PC \leftarrow PC + 2$ or 3         | None       | 1 / 2   |
| SBIC                                     | P, b     | Skip if Bit in I/O Register Cleared    | if (P(b)=0) $PC \leftarrow PC + 2$ or 3          | None       | 1 / 2   |
| SBIS                                     | P, b     | Skip if Bit in I/O Register is Set     | if (P(b)=1) $PC \leftarrow PC + 2$ or 3          | None       | 1 / 2   |
| BRBS                                     | s, k     | Branch if Status Flag Set              | if (SREG(s) = 1) then $PC \leftarrow PC + k + 1$ | None       | 1 / 2   |
| BRBC                                     | s, k     | Branch if Status Flag Cleared          | if (SREG(s) = 0) then $PC \leftarrow PC + k + 1$ | None       | 1 / 2   |
| BREQ                                     | k        | Branch if Equal                        | if (Z = 1) then $PC \leftarrow PC + k + 1$       | None       | 1 / 2   |
| BRNE                                     | k        | Branch if Not Equal                    | if (Z = 0) then $PC \leftarrow PC + k + 1$       | None       | 1 / 2   |
| BRCS                                     | k        | Branch if Carry Set                    | if (C = 1) then $PC \leftarrow PC + k + 1$       | None       | 1 / 2   |
| BRCC                                     | k        | Branch if Carry Cleared                | if (C = 0) then $PC \leftarrow PC + k + 1$       | None       | 1 / 2   |
| BRSH                                     | k        | Branch if Same or Higher               | if (C = 0) then $PC \leftarrow PC + k + 1$       | None       | 1 / 2   |
| BRLO                                     | k        | Branch if Lower                        | if (C = 1) then $PC \leftarrow PC + k + 1$       | None       | 1 / 2   |
| BRMI                                     | k        | Branch if Minus                        | if (N = 1) then $PC \leftarrow PC + k + 1$       | None       | 1 / 2   |
| BRPL                                     | k        | Branch if Plus                         | if (N = 0) then $PC \leftarrow PC + k + 1$       | None       | 1 / 2   |
| BRGE                                     | k        | Branch if Greater or Equal, Signed     | if (N ⊕ V = 0) then $PC \leftarrow PC + k + 1$   | None       | 1 / 2   |
| BRLT                                     | k        | Branch if Less Than Zero, Signed       | if (N ⊕ V = 1) then $PC \leftarrow PC + k + 1$   | None       | 1 / 2   |
| BRHS                                     | k        | Branch if Half Carry Flag Set          | if (H = 1) then $PC \leftarrow PC + k + 1$       | None       | 1 / 2   |
| BRHC                                     | k        | Branch if Half Carry Flag Cleared      | if (H = 0) then $PC \leftarrow PC + k + 1$       | None       | 1 / 2   |
| BRTS                                     | k        | Branch if T Flag Set                   | if (T = 1) then $PC \leftarrow PC + k + 1$       | None       | 1 / 2   |
| BRTC                                     | k        | Branch if T Flag Cleared               | if (T = 0) then $PC \leftarrow PC + k + 1$       | None       | 1 / 2   |
| BRVS                                     | k        | Branch if Overflow Flag is Set         | if (V = 1) then $PC \leftarrow PC + k + 1$       | None       | 1 / 2   |
| BRVC                                     | k        | Branch if Overflow Flag is Cleared     | if (V = 0) then $PC \leftarrow PC + k + 1$       | None       | 1 / 2   |
| BRIE                                     | k        | Branch if Interrupt Enabled            | if (I = 1) then $PC \leftarrow PC + k + 1$       | None       | 1 / 2   |
| BRID                                     | k        | Branch if Interrupt Disabled           | if (I = 0) then $PC \leftarrow PC + k + 1$       | None       | 1 / 2   |



| Mnemonics                            | Operands | Description                      | Operation  | Flags      | #Clocks |
|--------------------------------------|----------|----------------------------------|--|------------|---------|
| <b>DATA TRANSFER INSTRUCTIONS</b>    |          |                                  |  |            |         |
| MOV                                  | Rd, Rr   | Move Between Registers           | $Rd \leftarrow Rr$   | None       | 1       |
| LDI                                  | Rd, K    | Load Immediate                   | $Rd \leftarrow K$  | None       | 1       |
| LD                                   | Rd, X    | Load Indirect                    | $Rd \leftarrow (X)$  | None       | 2       |
| LD                                   | Rd, X+   | Load Indirect and Post-Inc.      | $Rd \leftarrow (X), X \leftarrow X + 1$                            | None       | 2       |
| LD                                   | Rd, -X   | Load Indirect and Pre-Dec.       | $X \leftarrow X - 1, Rd \leftarrow (X)$                            | None       | 2       |
| LD                                   | Rd, Y    | Load Indirect                    | $Rd \leftarrow (Y)$  | None       | 2       |
| LD                                   | Rd, Y+   | Load Indirect and Post-Inc.      | $Rd \leftarrow (Y), Y \leftarrow Y + 1$                            | None       | 2       |
| LD                                   | Rd, -Y   | Load Indirect and Pre-Dec.       | $Y \leftarrow Y - 1, Rd \leftarrow (Y)$                            | None       | 2       |
| LDD                                  | Rd, Y+q  | Load Indirect with Displacement  | $Rd \leftarrow (Y + q)$  | None       | 2       |
| LD                                   | Rd, Z    | Load Indirect                    | $Rd \leftarrow (Z)$  | None       | 2       |
| LD                                   | Rd, Z+   | Load Indirect and Post-Inc.      | $Rd \leftarrow (Z), Z \leftarrow Z + 1$                            | None       | 2       |
| LD                                   | Rd, -Z   | Load Indirect and Pre-Dec.       | $Z \leftarrow Z - 1, Rd \leftarrow (Z)$                            | None       | 2       |
| LDD                                  | Rd, Z+q  | Load Indirect with Displacement  | $Rd \leftarrow (Z + q)$  | None       | 2       |
| LDS                                  | Rd, k    | Load Direct from SRAM            | $Rd \leftarrow (k)$  | None       | 2       |
| ST                                   | X, Rr    | Store Indirect                   | $(X) \leftarrow Rr$  | None       | 2       |
| ST                                   | X+, Rr   | Store Indirect and Post-Inc.     | $(X) \leftarrow Rr, X \leftarrow X + 1$                            | None       | 2       |
| ST                                   | -X, Rr   | Store Indirect and Pre-Dec.      | $X \leftarrow X - 1, (X) \leftarrow Rr$                            | None       | 2       |
| ST                                   | Y, Rr    | Store Indirect                   | $(Y) \leftarrow Rr$  | None       | 2       |
| ST                                   | Y+, Rr   | Store Indirect and Post-Inc.     | $(Y) \leftarrow Rr, Y \leftarrow Y + 1$                            | None       | 2       |
| ST                                   | -Y, Rr   | Store Indirect and Pre-Dec.      | $Y \leftarrow Y - 1, (Y) \leftarrow Rr$                            | None       | 2       |
| STD                                  | Y+q, Rr  | Store Indirect with Displacement | $(Y + q) \leftarrow Rr$  | None       | 2       |
| ST                                   | Z, Rr    | Store Indirect                   | $(Z) \leftarrow Rr$  | None       | 2       |
| ST                                   | Z+, Rr   | Store Indirect and Post-Inc.     | $(Z) \leftarrow Rr, Z \leftarrow Z + 1$                            | None       | 2       |
| ST                                   | -Z, Rr   | Store Indirect and Pre-Dec.      | $Z \leftarrow Z - 1, (Z) \leftarrow Rr$                            | None       | 2       |
| STD                                  | Z+q, Rr  | Store Indirect with Displacement | $(Z + q) \leftarrow Rr$  | None       | 2       |
| STS                                  | k, Rr    | Store Direct to SRAM             | $(k) \leftarrow Rr$  | None       | 2       |
| LPM                                  |          | Load Program Memory              | $R0 \leftarrow (Z)$  | None       | 3       |
| IN                                   | Rd, P    | In Port                          | $Rd \leftarrow P$  | None       | 1       |
| OUT                                  | P, Rr    | Out Port                         | $P \leftarrow Rr$  | None       | 1       |
| PUSH                                 | Rr       | Push Register on Stack           | $STACK \leftarrow Rr$  | None       | 2       |
| POP                                  | Rd       | Pop Register from Stack          | $Rd \leftarrow STACK$  | None       | 2       |
| <b>BIT AND BIT-TEST INSTRUCTIONS</b> |          |                                  |  |            |         |
| SBI                                  | P, b     | Set Bit in I/O Register          | $I/O(P, b) \leftarrow 1$   | None       | 2       |
| CBI                                  | P, b     | Clear Bit in I/O Register        | $I/O(P, b) \leftarrow 0$   | None       | 2       |
| LSL                                  | Rd       | Logical Shift Left               | $Rd(n+1) \leftarrow Rd(n), Rd(0) \leftarrow 0$                     | Z, C, N, V | 1       |
| LSR                                  | Rd       | Logical Shift Right              | $Rd(n) \leftarrow Rd(n+1), Rd(7) \leftarrow 0$                     | Z, C, N, V | 1       |
| ROL                                  | Rd       | Rotate Left Through Carry        | $Rd(0) \leftarrow C, Rd(n+1) \leftarrow Rd(n), C \leftarrow Rd(7)$ | Z, C, N, V | 1       |
| ROR                                  | Rd       | Rotate Right Through Carry       | $Rd(7) \leftarrow C, Rd(n) \leftarrow Rd(n+1), C \leftarrow Rd(0)$ | Z, C, N, V | 1       |
| ASR                                  | Rd       | Arithmetic Shift Right           | $Rd(n) \leftarrow Rd(n+1), n=0..6$                                 | Z, C, N, V | 1       |
| SWAP                                 | Rd       | Swap Nibbles                     | $Rd(3..0) \leftarrow Rd(7..4), Rd(7..4) \leftarrow Rd(3..0)$       | None       | 1       |
| BSET                                 | s        | Flag Set                         | $SREG(s) \leftarrow 1$   | SREG(s)    | 1       |
| BCLR                                 | s        | Flag Clear                       | $SREG(s) \leftarrow 0$   | SREG(s)    | 1       |
| BST                                  | Rr, b    | Bit Store from Register to T     | $T \leftarrow Rr(b)$   | T          | 1       |
| BLD                                  | Rd, b    | Bit load from T to Register      | $Rd(b) \leftarrow T$   | None       | 1       |
| SEC                                  |          | Set Carry                        | $C \leftarrow 1$   | C          | 1       |
| CLC                                  |          | Clear Carry                      | $C \leftarrow 0$   | C          | 1       |
| SEN                                  |          | Set Negative Flag                | $N \leftarrow 1$   | N          | 1       |
| CLN                                  |          | Clear Negative Flag              | $N \leftarrow 0$   | N          | 1       |
| SEZ                                  |          | Set Zero Flag                    | $Z \leftarrow 1$   | Z          | 1       |
| CLZ                                  |          | Clear Zero Flag                  | $Z \leftarrow 0$   | Z          | 1       |
| SEI                                  |          | Global Interrupt Enable          | $I \leftarrow 1$   | I          | 1       |
| CLI                                  |          | Global Interrupt Disable         | $I \leftarrow 0$   | I          | 1       |
| SES                                  |          | Set Signed Test Flag             | $S \leftarrow 1$   | S          | 1       |
| CLS                                  |          | Clear Signed Test Flag           | $S \leftarrow 0$   | S          | 1       |
| SEV                                  |          | Set Twos Complement Overflow     | $V \leftarrow 1$   | V          | 1       |
| CLV                                  |          | Clear Twos Complement Overflow   | $V \leftarrow 0$   | V          | 1       |
| SET                                  |          | Set T in SREG                    | $T \leftarrow 1$   | T          | 1       |
| CLT                                  |          | Clear T in SREG                  | $T \leftarrow 0$   | T          | 1       |
| SEH                                  |          | Set Half Carry Flag in SREG      | $H \leftarrow 1$   | H          | 1       |
| CLH                                  |          | Clear Half Carry Flag in SREG    | $H \leftarrow 0$   | H          | 1       |
| NOP                                  |          | No Operation                     |  | None       | 1       |
| SLEEP                                |          | Sleep                            | (see specific descr. for Sleep function)                           | None       | 3       |
| WDR                                  |          | Watchdog Reset                   | (see specific descr. for WDR/timer)                                | None       | 1       |



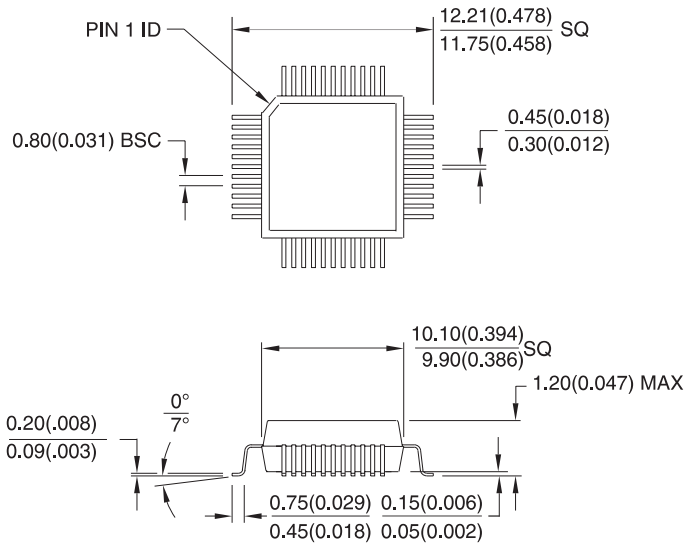
## Ordering Information

| Power Supply | Speed (MHz) | Ordering Code  | Package | Operation Range               |
|--------------|-------------|----------------|---------|-------------------------------|
| 2.7 - 6.0V   | 4           | AT90LS4434-4AC | 44A     | Commercial<br>(0°C to 70°C)   |
|              |             | AT90LS4434-4JC | 44J     |                               |
|              |             | AT90LS4434-4PC | 40P6    |                               |
|              |             | AT90LS4434-4AI | 44A     | Industrial<br>(-40°C to 85°C) |
|              |             | AT90LS4434-4JI | 44J     |                               |
|              |             | AT90LS4434-4PI | 40P6    |                               |
| 4.0 - 6.0V   | 8           | AT90S4434-8AC  | 44A     | Commercial<br>(0°C to 70°C)   |
|              |             | AT90S4434-8JC  | 44J     |                               |
|              |             | AT90S4434-8JC  | 40P6    |                               |
|              |             | AT90S4434-8AI  | 44A     | Industrial<br>(-40°C to 85°C) |
|              |             | AT90S4434-8JI  | 44J     |                               |
|              |             | AT90S4434-8PI  | 40P6    |                               |
| 2.7 - 6.0V   | 4           | AT90LS8535-4AC | 44A     | Commercial<br>(0°C to 70°C)   |
|              |             | AT90LS8535-4JC | 44J     |                               |
|              |             | AT90LS8535-4PC | 40P6    |                               |
|              |             | AT90LS8535-4AI | 44A     | Industrial<br>(-40°C to 85°C) |
|              |             | AT90LS8535-4JI | 44J     |                               |
|              |             | AT90LS8535-4PI | 40P6    |                               |
| 4.0 - 6.0V   | 8           | AT90S8535-8AC  | 44A     | Commercial<br>(0°C to 70°C)   |
|              |             | AT90S8535-8JC  | 44J     |                               |
|              |             | AT90S8535-8JC  | 40P6    |                               |
|              |             | AT90S8535-8AI  | 44A     | Industrial<br>(-40°C to 85°C) |
|              |             | AT90S8535-8JI  | 44J     |                               |
|              |             | AT90S8535-8PI  | 40P6    |                               |

| Package Type |  |
|--------------|--|
| <b>44A</b>   | 44 Lead, Thin (1.0mm) Plastic Gull Wing Quad Flat Package (TQFP) |
| <b>44J</b>   | 44 Lead, Plastic J-Leaded Chip Carrier (PLCC)                    |
| <b>40P6</b>  | 40 Lead, 0.600" Wide, Plastic Dual in Line Package (PDIP)        |

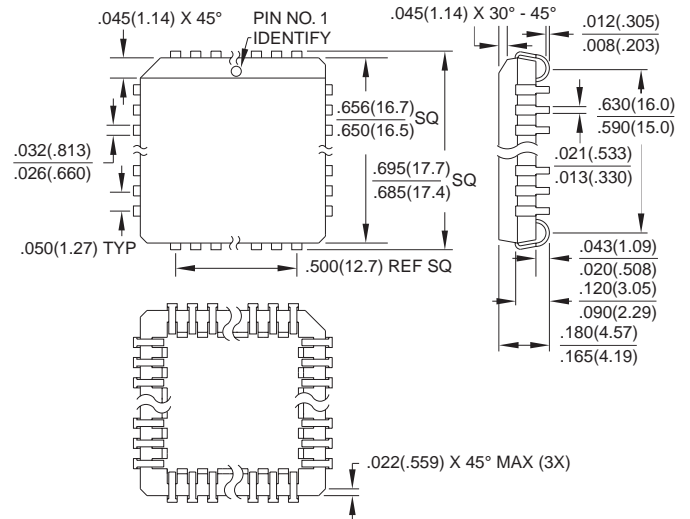
## Packaging Information

**44A**, 44-Lead, Thin (1.0 mm) Plastic Gull Wing Quad Flat Package (TQFP)  
Dimensions in Millimeters and (Inches)



\*Controlling dimension: millimeters

**44J**, 44-Lead, Plastic J-Leaded Chip Carrier (PLCC)  
Dimensions in Inches and (Millimeters)



**40P6**, 40-Lead, 0.600" Wide,  
Plastic Dual Inline Package (PDIP)  
Dimensions in Inches and (Millimeters)  
JEDEC STANDARD MS-011 AC

