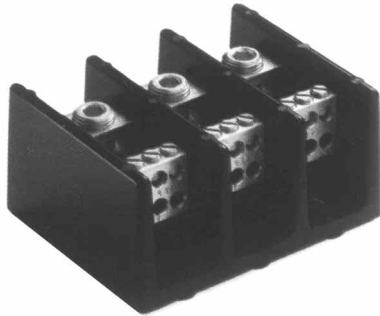


Power Distribution & Terminal Blocks

PDB

Power Distribution Blocks 600 Volt AC or DC



Catalog Symbol: Power Distribution Blocks
Voltage Rating: 600 Volts AC or DC maximum

Agency Approvals:

U.L. Recognized, Guide XCFR2, File E84923

CSA Certified, Class 6228-01, File 15364

Example: A 3-pole, 16023 series is 16023-3. It has 1 line opening per section that accepts 350MCM - #6. 3 openings total. This block has 6 load openings per section. Each opening accepts #6 - #14 wire. A total of 18 openings are on the 3-pole block.

Picture shown:

3-Pole - 1 opening on line per pole

6 opening on load per pole

Power Distribution Blocks (600V) Catalog Data

Catalog Number	1-Pole	2-Pole	3-Pole	4-Pole	Connection		Connector Material and Ampacity	U.L.	CSA
					Line	Load			
16021	NA	-2	-3	-4	2/0 - #14Cu, 2/0 - #8Al	(6) #4 - #14Cu, #4 - #8Al	Al-175A	•	•
16023	NA	-2	-3	-4	350MCM - #6Cu-Al	(6) #4 - #14Cu, #6 - #12Al	Al-310A	•	•
16220	-1	-2	-3	NA	2/0 - #14Cu, 2/0 - #8Al	(4) #4 - #14Cu, #4 - #8Al	Al-175A	•	•
16321	-1	-2	-3	NA	2/0 - #14Cu-Al	(6) #4 - #14Cu/#8Al	Al-175A	•	•
16323	-1	-2	-3	NA	350MCM - #6Cu-Al	(6) #4 - #14Cu, #4 - #12Al	Al-310A	•	•
16325	-1	-2	-3	NA	(2) 2/0 - #14Cu, 2/0 - #8Al	(6) #4 - #14Cu, #4 - #12Al	Al-350A	•	•
16327	-1	-2	-3	NA	500MCM - #2Cu-Al	(6) #4 - #14Cu, #4 - #12Al	Al-380A	•	•
16330	-1	-2	-3	NA	500MCM - #6Cu-Al	(6) #2 - #14Cu/#8Al	Al-380A	•	•
16332	-1	-2	-3	NA	350MCM - #60Cu-Al	(3) #2 - #14Cu/#8Al (2) 1/0 - #14Cu/#8Al	Al-310A	•	•
16335	-1	-2	-3	NA	500MCM - #6Cu-Al	(3) #2 - #14 Cu/#8Al (2) 1/0 - #14Cu/#8Al	Al-380A	•	•
16370	-1	-2	-3	NA	350MCM - #6Cu-Al	(12) #4 - #14Cu/#8Al	Al-310A	•	•
16371	-1	-2	-3	NA	350MCM - #6Cu-Al	(6) #2 - #14Cu/#8Al (3) 1/0 - #14Cu/#8Al	Al-310A	•	•
16372	-1	-2	-3	NA	350MCM - #6Cu-Al	(21) #10 - #14Cu/#10Al	Al-310A	•	•
16373	-1	-2	-3	NA	350MCM - #6Cu-Al	(3) 1/0 - #14Cu/#8Al (14) #10 - #14Cu/#8Al	Al-310A	•	•
16375	-1	-2	-3	NA	600MCM - #2Cu-Al	(12) #4 - #14Cu/#8Al	Al-420A	•	•
16376	-1	-2	-3	NA	600MCM - #2Cu-Al	(6) #2 - #14Cu/#8Al (3) 1/0 - #14Cu/#8Al	Al-420A	•	•
16377	-1	-2	-3	NA	(2)300MCM - #2Cu-Al	(12) #4 - #14Cu/#8Al	Al-570A	•	—
16528	-1	-2	-3	NA	(2) 600MCM - #2Cu-Al	(4) 3/0 - #8Cu-Al (4) #4 - #14Cu, #4 - #12Al	Al-840A	•	—
16530	-1	-2	-3	NA	(2) 500MCM - #6Cu-Al	(12) #4 - #14Cu, #4 - #12Al	Al-760A	•	•
16541	-1	-2	-3	NA	500MCM - #6Cu-Al	(21) #6 - #14Cu, #6 - #12Al	Al-380A	•	—

How To Order: Catalog Number + # of Poles

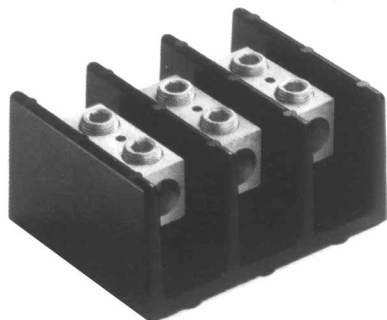
Example: 16021-3 (complete part number)

Power Distribution & Terminal Blocks

PDB

Splicer Terminal Blocks

600 Volt AC or DC



Catalog Symbol: Splicer Terminal Blocks
Voltage Rating: 600 Volts AC or DC maximum

Agency Approvals:

U.L. Recognized, Guide XCFR2, File E84923

CSA Certified, Class 6228-01, File 15364

Picture shown:

3-Pole - 1 opening on line per phase

1 opening on load per phase

Power Distribution Blocks (600V) Catalog Data

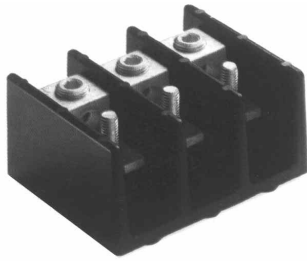
Catalog Number	1-Pole	2-Pole	3-Pole	4-Pole	Connection		Connector Material and Ampacity	U.R.	CSA
					Line	Load			
16000	NA	-2	-3	-4	2/0 - #8Cu-Al	2/0 - #8Cu-Al	Al-175A	•	—
16003	NA	-2	-3	-4	250MCM - #6Cu	250MCM - #6Cu	Cu-255A	•	—
16005	NA	-2	-3	-4	350MCM - #6Cu-Al	350MCM - #6Cu-Al	Al-310A	•	—
16200	-1	-2	-3	NA	#2 - #14Cu, #2 - #8Al	#2 - #14Cu, #2 - #8Al	Al-115A	•	•
16201	-1	-2	-3	NA	1/0 - #14Cu	1/0 - #14Cu	Cu-150A	•	•
16204	-1	-2	-3	NA	2/0 - #8Cu-Al	2/0 - #8Cu-Al	Al-175A	•	•
16301	-1	-2	-3	NA	250MCM - #6Cu	250MCM - #6Cu	Cu-255A	•	•
16303	-1	-2	-3	NA	350MCM - #6Cu-Al	350MCM - #6Cu-Al	Al-310A	•	•
16500	-1	-2	-3	NA	(2) 350MCM - #4Cu-Al	(2) 350MCM - #4Cu-Al	Al-620A	•	•
16504	-1	-2	-3	NA	(2) 500MCM - #6Cu-Al	(2) 500MCM - #6Cu-Al	Al-760A	•	•

Power Distribution & Terminal Blocks

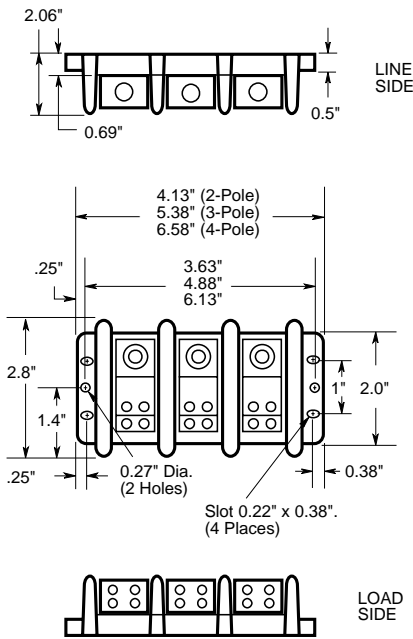
Connector-Stud and Stud-Stud Blocks

600 Volt AC or DC

PDB

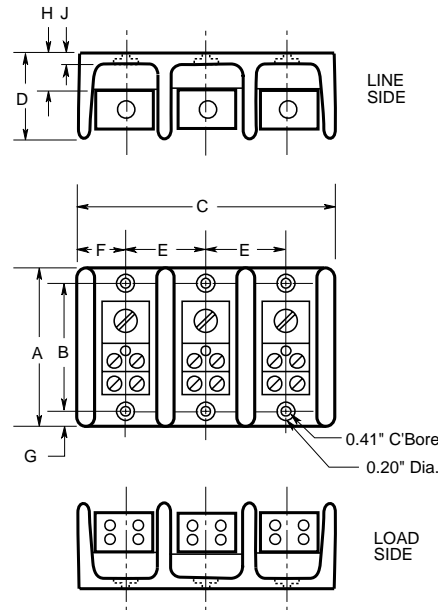


Series 160 (Available 2, 3, and 4 pole)
Dimensional Data



160 Series Bases have mounting holes outside the barriers. Other bases (162 through 165) have mounting holes within barriers—see dimensional drawings.

Catalog Symbol: Connector–Stud Block
Voltage Rating: 600 Volts AC or DC maximum
Agency Approvals:
U.L. Recognized, Guide XCFR2, File E84923
CSA Certified, Class 6228-01, File 15364
Series 162, 163, 164, and 165 Dimensional Data
(Available 1, 2, and 3 pole)



Dimensions for Series 162, 163, 164, and 165

Cat. No.	A	B	C1	C2	C3	D	E	F	G	H	J	K	L
162	2.88	2.25	1.06	1.88	2.69	1.75	0.81	0.53	0.31	0.84	0.31	0.20	0.41
163	4.0	3.38	1.96	3.58	5.20	3.32	1.62	0.97	0.31	0.87	0.35	0.20	0.41
165	5.5	4.75	3.12	5.81	8.5	3.13	2.69	1.56	0.38	1.38	0.63	0.20	0.41

Connector-Stud Blocks (600V) Catalog Data

Catalog Number	1-Pole	2-Pole	3-Pole	Connection		Connector Material and Ampacity	U.L.	CSA
				Line	Load			
Connector - Stud								
16280	-1	-2	-3	2/0 - #14Cu/#8Al	¼ - 20 × ½ Stud	Al-175A	•	•
16281	-1	-2	-3	2/0 - #14Cu/#8Al	¼ - 20 Tapped hole	Al-175A	•	•
16378	-1	-2	-3	500MCM - #6Cu-Al	(2) ¼ - 20 × 1 Stud	Al-380A	•	•
16383	-1	-2	-3	500MCM - #6Cu-Al	(1) ⅜ - 16 × 1¼ Stud	Al-380A	•	•
16582	-1	-2	-3	(2) 500MCM - #6Cu-Al	(2) ⅜ - 16 × 1⅝ Stud	Al-760A	•	•
Stud - Stud								
16390	-1	-2	-3	⅜ - 16 × 1⅝ Stud	⅜ - 16 × 1⅝ Stud	Cu-250A	•	•
16394	-1	-2	-3	½ - 13 × 1⅞ Stud	½ - 13 × 1⅞ Stud	Cu-400A	•	•
16395	-1	-2	-3	⅜ - 16 × 1⅞ Stud	(2) ¼ - 20 × ⅞ Stud	Cu-310A	•	•
16591	-1	-2	-3	⅜ - 16 × 1⅞ Stud	(2) ⅜ - 16 × 1⅞ Stud	Cu-400A	•	—
16593	-1	-2	-3	½ - 13 × 1 Stud	½ - 13 × 1 Stud	Cu-600A	•	•

The only controlled copy of this BIF document is the electronic read-only version located on the Bussmann Network Drive. All other copies of this document are by definition uncontrolled. This bulletin is intended to clearly present comprehensive product data and provide technical information that will help the end user with design applications. Bussmann reserves the right, without notice, to change design or construction of any products and to discontinue or limit distribution of any products. Bussmann also reserves the right to change or update, without notice, any technical information contained in this bulletin. Once a product has been selected, it should be tested by the user in all possible applications.