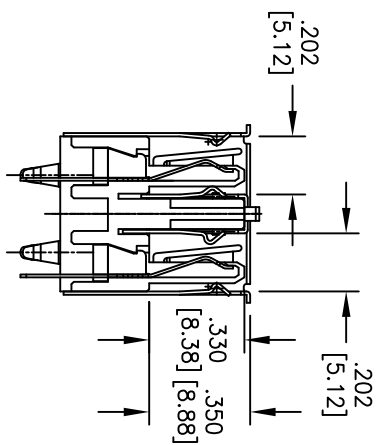
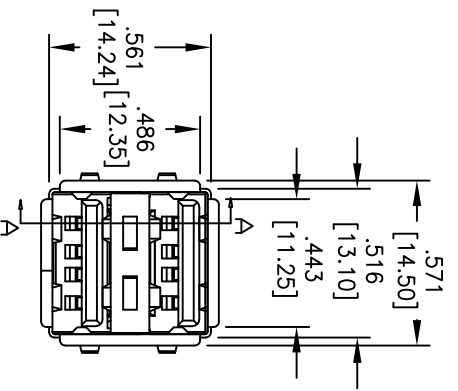
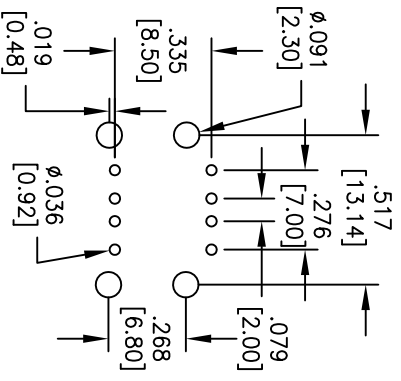


APPROVED: \_\_\_\_\_ TITLE: \_\_\_\_\_  
 DATE: \_\_\_\_\_

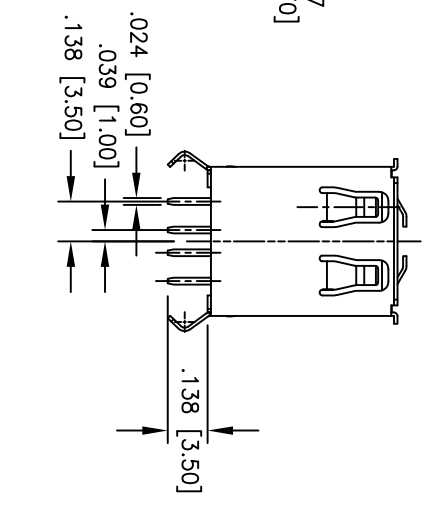
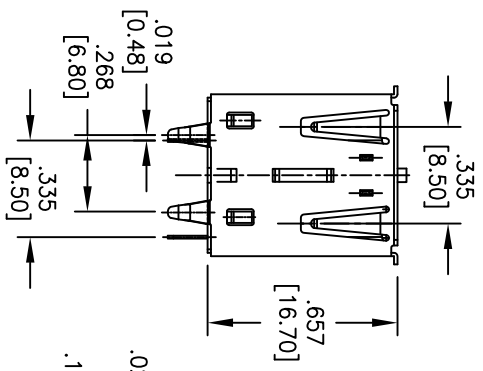
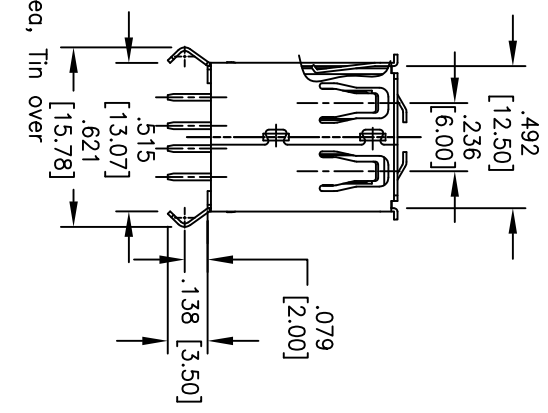
Rev	AWO #	Description	Date	Appr
-		RELEASED	9/22/05	
A		REDRAWN	9/29/09	



SECTION A-A



RECOMMENDED PCB LAYOUT



**SPECIFICATIONS:**

**Material:**  
 Insulator: PBT, Glass filled, rated UL 94V-0  
 Insulator color: Black  
 Contacts: Phosphor Bronze  
 Shell: Steel, nickel plated  
 Plating:  
 Gold flash over Nickel underplate on contact area, Tin over  
 Copper underplate on PCB tails

**Electrical:**  
 Operating voltage: 30 VAC max.  
 Current rating: 1 Amp max.  
 Contact resistance: 30 mohms max.  
 Insulation resistance: 1000 Mohms min.  
 Dielectric withstanding voltage: 500 VAC for 1 minute  
 Temperature Rating:  
 Operating temperature: -20°C to +60°C

**Environmental:**  
 Lead free, RoHS compliant.  
 Recommended soldering temp: 235°C for 5 sec



**ADAM TECH**

909 Railway Avenue, Union, NJ 07083  
 Phone: 908-687-5000 Fax: 908-687-5710

TITLE: UNIVERSAL SERIAL BUS  
 DUAL PORT, VERTICAL, PCB

UNLESS OTHERWISE SPECIFIED ALL DIMENSIONS ARE INCHES [MM]	
TOLERANCES: EXCEPT AS NOTED	
INCHES	MM
.X ±.10	ØX ±.10
.XX ±.020	ØXX ±.015
.XXX ±.015	ØXXX ±.010
APPROVALS	DATE
DRAWN SS	9/22/05
CHECKED	
APPROVED	

SIZE	PART NO.	REV.
X	USB-A-D-VT	A
REF: S0005C	SCALE: NTS	SHEET 1 OF 1