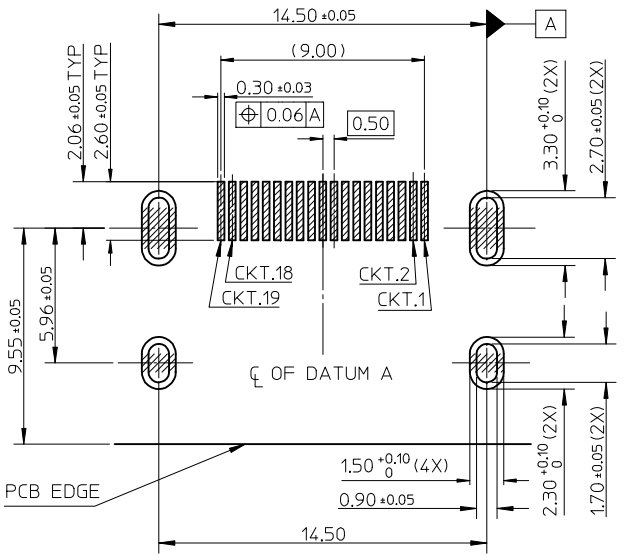
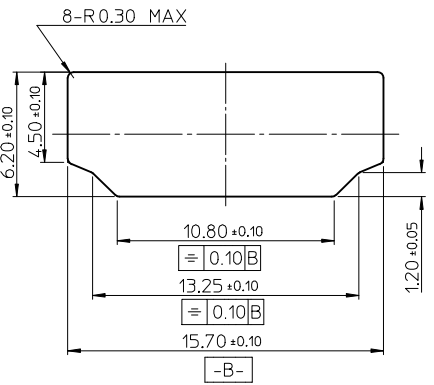
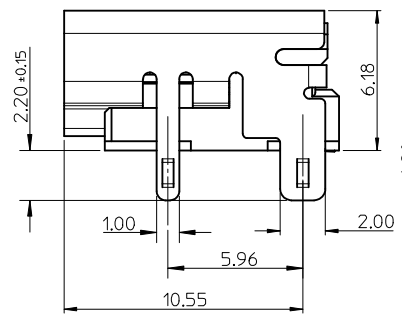
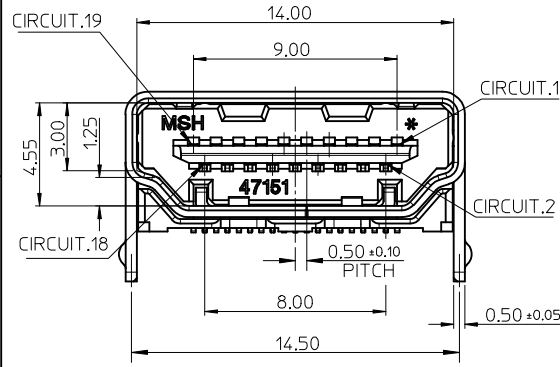
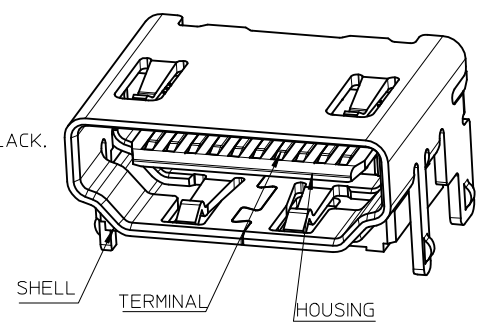
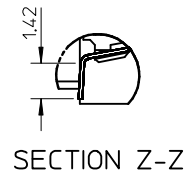


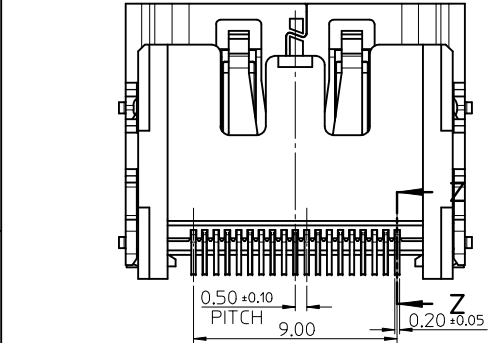
- NOTES:
1. MATERIAL:  
HOUSING: HIGH TEMPERATURE THERMAL PLASTIC, GLASS-FILLED, UL 94V-0, COLOR: BLACK.  
SHELL: COPPER ALLOY.  
TERMINAL: COPPER ALLOY.
  2. PLATING:  
TERMINAL: CONTACT AREA: GOLD PLATING, SEE TABLE.  
SOLDER AREA: 1 MICROMETER MIN. TIN-BISMUTH ALLOY PLATED.  
UNDER PLATE: 1.27 MICROMETER MIN. NICKEL.  
SHELL: 1.27 MICROMETER MIN. SOLDERABLE NICKEL PLATE OVERALL.
  3. COPLANARITY IS 0.1MM MAX.
  4. PRODUCT SPECIFICATION REFER TO PS-47152-001.
  5. PACKAGE SPECIFICATION FOR WITHOUT FLANGE REFER TO PK-47151-001.
  6. PRODUCT COMPLIANT TO RoHS DIRECTIVE 2011/65/EU AND ELV 2000/53/EC.



RECOMMENDED PCB LAYOUT  
CONNECTOR SIDE



SECTION Z-Z



47151-8061	GOLD FLASH			
47151-8041	0.25 MICROMETER MIN.	WITHOUT	WITHOUT	WITH
47151-8001	0.76 MICROMETER MIN.			
PART NO.	CONTACT AREA PLATING	FLANGE	BACK COVER	DIMPLE

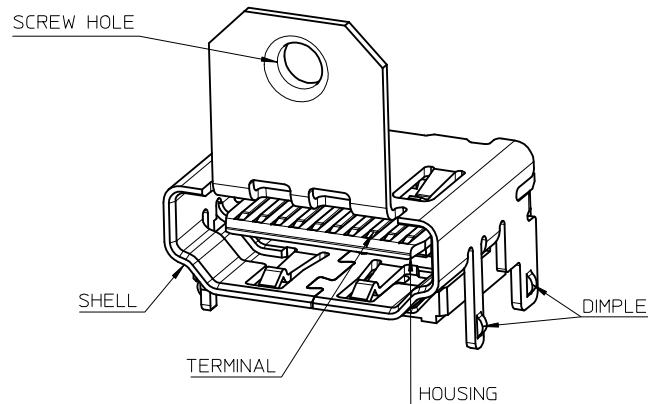
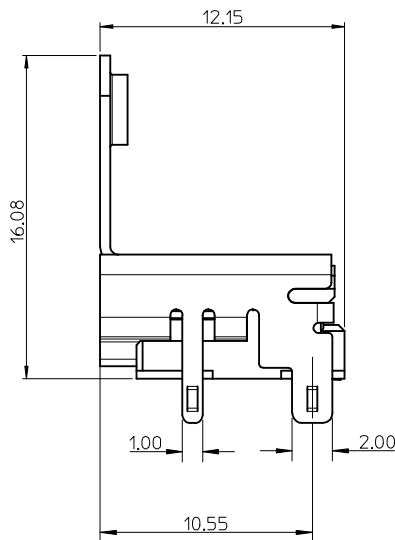
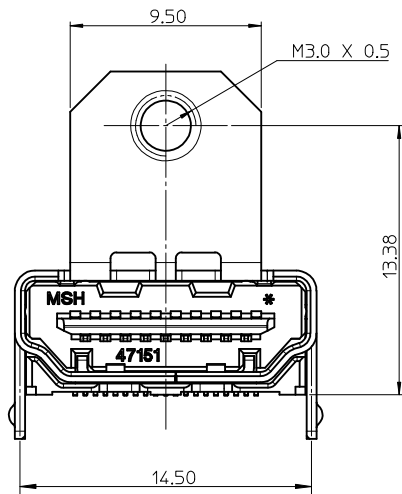
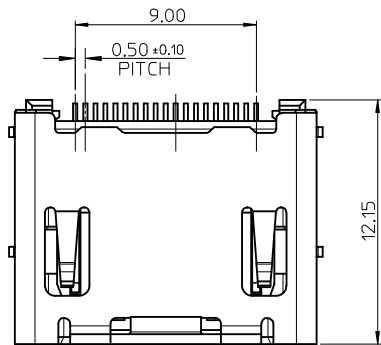
REVISE NOTE EC NO: S2014-0536 DRW:FC300 CH'KD:JTAN02 APPR:KHL JM	2013/12/05 2013/12/17 2013/12/20	QUALITY SYMBOLS F=0 F=0 F=0
--	--	--------------------------------------

GENERAL TOLERANCES (UNLESS SPECIFIED)	DIMENSION STYLE
4 PLACES ± --- ± ---	MM ONLY
3 PLACES ± --- ± ---	DRAWN BY JZENG
2 PLACES ± 0.25 ± ---	DATE 2006/02/21
1 PLACE ± --- ± ---	CHECKED BY DIXON
0 PLACE ± ±	DATE 2006/02/21
ANGULAR ± 3 °	APPROVED BY GRATE MA
DRAFT WHERE APPLICABLE MUST REMAIN WITHIN DIMENSIONS	DATE 2006/02/21
	MATERIAL NO.
	SEE TABLE

SCALE NTS	DESIGN UNITS METRIC	THIRD ANGLE PROJECTION
TITLE	1.0 HDMI RIGHT ANGLE HEADER WITH DIMPLE TYPE LEAD FREE	
DOCUMENT NO.	SD-47151-101	SHEET NO. 1 OF 4

**molex**

THIS DRAWING CONTAINS INFORMATION THAT IS PROPRIETARY TO MOLEX INCORPORATED AND SHOULD NOT BE USED WITHOUT WRITTEN PERMISSION



NOTES:

1. THE UNSPECIFIED DIMENSIONS REFER TO SHEET 1.
2. PACKAGE SPECIFICATION FOR WITH FLANGE REFER TO PK-47151-002.

47151-8071	GOLD FLASH			
47151-8051	0.25 MICROMETER MIN.	WITH	WITHOUT	WITH
47151-8011	0.76 MICROMETER MIN.			
PART NO.	CONTACT AREA PLATING	FLANGE	BACK COVER	DIMPLE

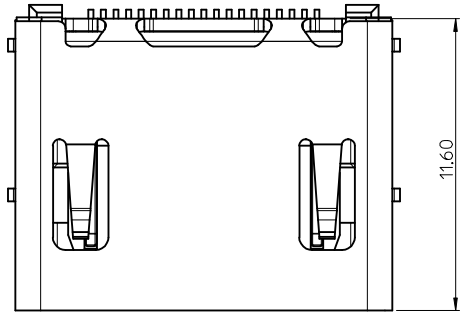
REVISE NOTE	DESCRIPTION
EC NO: S2014-0536	2013/12/05
DRWN:FCS00	2013/12/17
CHKD:JTAN02	2013/12/17
APPR:KHL JM	2013/12/20

QUALITY SYMBOLS	DESCRIPTION
$\nabla = 0$	
$\nabla = 0$	
$\nabla = 0$	

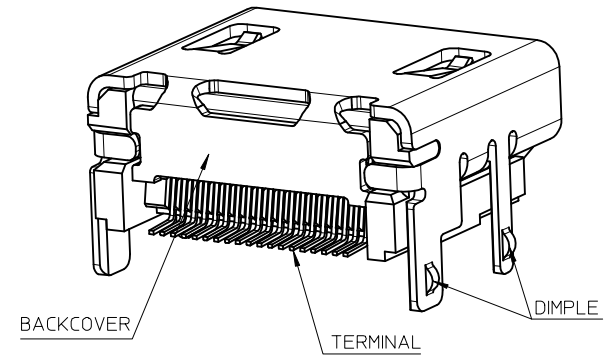
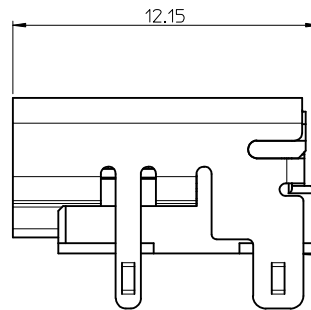
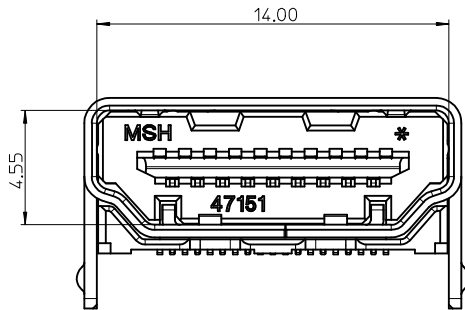
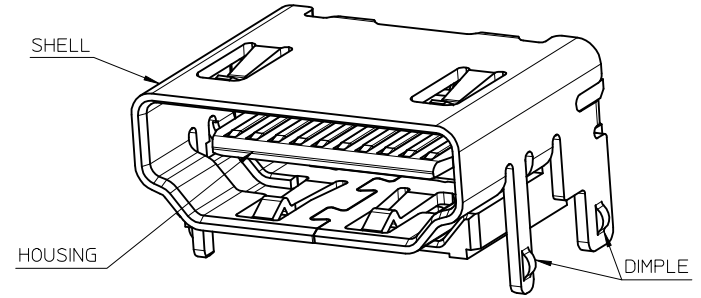
GENERAL TOLERANCES (UNLESS SPECIFIED)	
mm	INCH
4 PLACES	± --- ± ---
3 PLACES	± --- ± ---
2 PLACES	± 0.25 ± ---
1 PLACE	± --- ± ---
0 PLACE	± ±
ANGULAR ± 3°	
DRAFT WHERE APPLICABLE MUST REMAIN WITHIN DIMENSIONS	

DIMENSION STYLE	
MM ONLY	
DRAWN BY	DATE
JZENG	2006/02/21
CHECKED BY	DATE
DIXON	2006/02/21
APPROVED BY	DATE
GRATE MA	2006/02/21
MATERIAL NO.	
SEE TABLE	
SIZE	
A3	

SCALE	DESIGN UNITS	THIRD ANGLE PROJECTION
NTS	METRIC	
TITLE		
1.0 HDMI RIGHT ANGLE HEADER WITH DIMPLE TYPE LEAD FREE		
<b>molex</b>		
DOCUMENT NO.		SHEET NO.
SD-47151-101		2 OF 4
THIS DRAWING CONTAINS INFORMATION THAT IS PROPRIETARY TO MOLEX INCORPORATED AND SHOULD NOT BE USED WITHOUT WRITTEN PERMISSION		



WITH BACK COVER



NOTES:

- 1. THE UNSPECIFIED DIMENSIONS REFER TO 47151-8001.
- 2. PACKAGE SPECIFICATION FOR WITHOUT FLANGE:  
 47151-8131/8141/8161 REFER TO PK-47151-004;  
 47151-8031/8081/8091 REFER TO PK-47151-001.

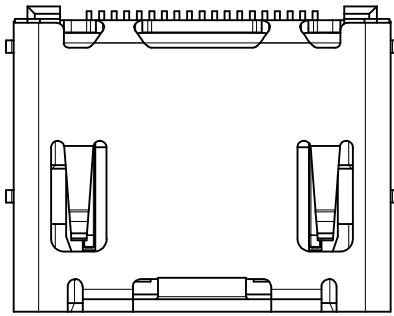
47151-8131	0.76 MICROMETER MIN.	WITHOUT	WITH	WITHOUT
47151-8141	0.25 MICROMETER MIN.			
47151-8161	GOLD FLASH	WITHOUT	WITH	WITH
47151-8031	0.76 MICROMETER MIN.			
47151-8081	0.25 MICROMETER MIN.			
47151-8091	GOLD FLASH			
PART NO.	CONTACT AREA PLATING	FLANGE	BACK COVER	DIMPLE

REVISE NOTE EC NO: S2014-0536 DRW: FCS00 CHKD: JTAN02 APPR: KHL IM	2013/12/05	2013/12/17	2013/12/20
	DESCRIPTION		
	1		
	REV		

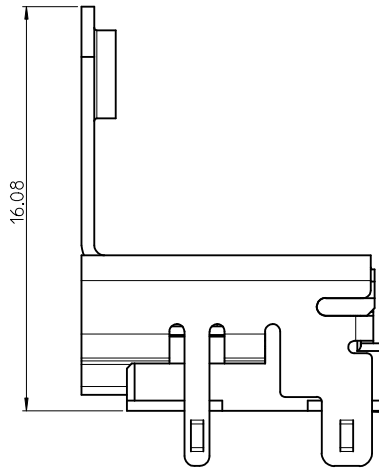
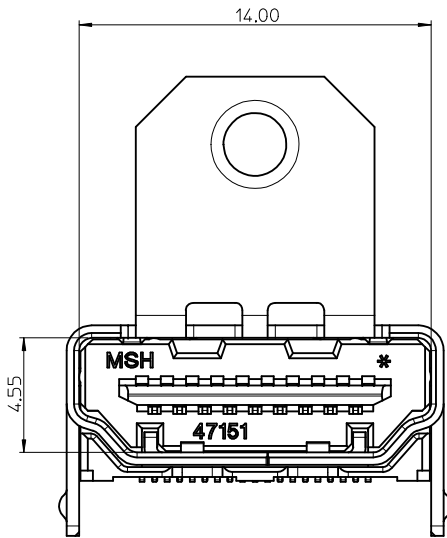
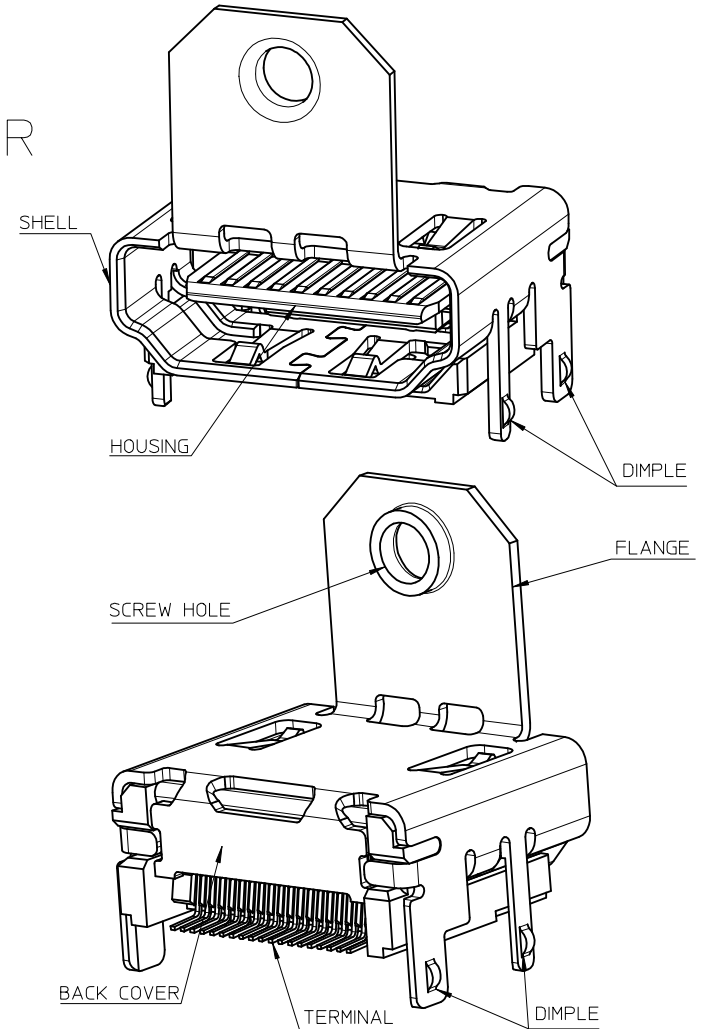
QUALITY SYMBOLS FA=0 FC=0 FB=0	GENERAL TOLERANCES (UNLESS SPECIFIED)	
	mm	INCH
	4 PLACES ± --- ± ---	3 PLACES ± --- ± ---
	2 PLACES ± 0.25 ± ---	1 PLACE ± --- ± ---
	0 PLACE ± ±	
	ANGULAR ± 3 °	
	DRAFT WHERE APPLICABLE MUST REMAIN WITHIN DIMENSIONS	

DIMENSION STYLE MM ONLY	
DRAWN BY JZENG	DATE 2006/02/21
CHECKED BY DIXON	DATE 2006/02/21
APPROVED BY GRATE MA	DATE 2006/02/21
MATERIAL NO. SEE TABLE	
SIZE A3	

SCALE NTS	DESIGN UNITS METRIC	THIRD ANGLE PROJECTION
TITLE 1.0 HDMI RIGHT ANGLE HEADER WITH DIMPLE TYPE LEAD FREE		
DOCUMENT NO. SD-47151-101		SHEET NO. 3 OF 4
THIS DRAWING CONTAINS INFORMATION THAT IS PROPRIETARY TO MOLEX INCORPORATED AND SHOULD NOT BE USED WITHOUT WRITTEN PERMISSION		



WITH BACK COVER



NOTES:

1. THE UNSPECIFIED DIMENSIONS REFER TO 47151-8011.
2. PACKAGE SPECIFICATION FOR WITH FLANGE REFER TO PK-47151-002.

47151-8521	0.25 MICROMETER MIN.	WITH	WITH	WITHOUT
47151-8321	GOLD FLASH			
47151-8121	0.76 MICROMETER MIN.			
47151-8221	GOLD FLASH	WITH	WITH	WITH
47151-8421	0.25 MICROMETER MIN.			
47151-8021	0.76 MICROMETER MIN.			
PART NO.	CONTACT AREA PLATING	FLANGE	BACK COVER	DIMPLE

REVISE NOTE EC NO: S2014-0536 DRWN:FC500 CHKD:JTAN02 APPR:KHL IM	2013/12/05	DESCRIPTION
	2013/12/17	
	2013/12/20	
QUALITY SYMBOLS	$\nabla_{\text{A}}=0$	
	$\nabla_{\text{B}}=0$	
	$\nabla_{\text{C}}=0$	
REV	1	

GENERAL TOLERANCES (UNLESS SPECIFIED)	
mm	INCH
4 PLACES	$\pm$ ---
3 PLACES	$\pm$ ---
2 PLACES	$\pm$ 0.25
1 PLACE	$\pm$ ---
0 PLACE	$\pm$
ANGULAR $\pm$ 3°	
DRAFT WHERE APPLICABLE MUST REMAIN WITHIN DIMENSIONS	

DIMENSION STYLE	
MM ONLY	
DRAWN BY	DATE
JZENG	2006/02/21
CHECKED BY	DATE
DIXON	2006/02/21
APPROVED BY	DATE
GRATE MA	2006/02/21
MATERIAL NO.	
SEE TABLE	
SIZE	A3

SCALE	NTS	DESIGN UNITS	METRIC	THIRD ANGLE PROJECTION
TITLE				
1.0 HDMI RIGHT ANGLE HEADER WITH DIMPLE TYPE LEAD FREE				
DOCUMENT NO.			SHEET NO.	
SD-47151-101			4 OF 4	
THIS DRAWING CONTAINS INFORMATION THAT IS PROPRIETARY TO MOLEX INCORPORATED AND SHOULD NOT BE USED WITHOUT WRITTEN PERMISSION				

