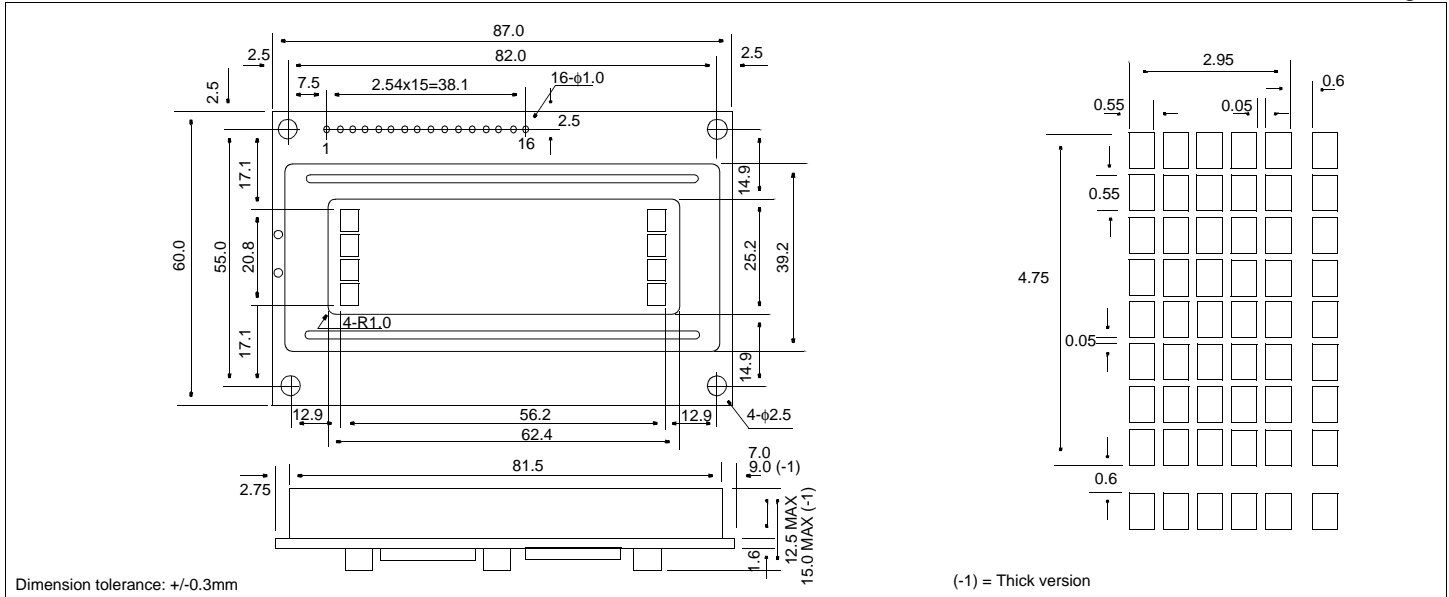


HDM16416L

Dimensional Drawing

16 Character x 4 Lines, LED Backlight



Features
 Character Format 5x7 Dots with Cursor
 Backlight.....LED
 Options.....Grey STN/Yellow STN, 12 o'Clock/6 o'Clock View
 Normal/Extended Temperature
 Normal/Negative Displays

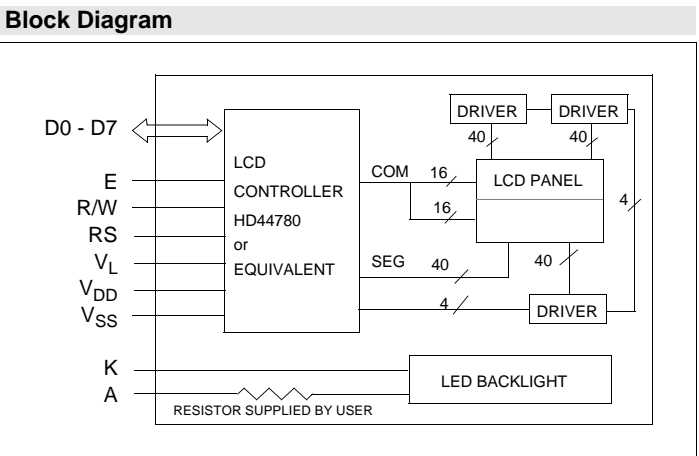
Physical Data
 Module Size87.0W x 60.0H x 12.5T mm
 Thick Version.....87.0W x 60.0H x 15.0T mm
 Viewing Area Size.....61.8W x 25.2H mm
 Weight.....50g

Absolute Maximum Ratings

PARAMETER	SYMBOL	MIN	MAX	UNIT
SUPPLY VOLTAGE	$V_{DD}-V_{SS}$	0	7.0	V
SUPPLY VOLTAGE FOR LCD	$V_{DD}-V_L$	0	13.5	V
INPUT VOLTAGE	V_{IN}	V_{SS}	V_{DD}	V
OPERATING TEMPERATURE	T_{OP}	0	50	°C
STORAGE TEMPERATURE	T_{SIG}	-20	70	°C
LED FORWARD CURRENT	I_F	-	300	mA
LED REVERSE VOLTAGE	V_R	-	8	V
LED POWER CONSUMPTION	P_D	-	1350	mW

Electrical Characteristics (VDD=5.0±0.25V 25°C)

PARAMETER	SYM	CONDITION	MIN	TYP	MAX	UNIT
INPUT HIGH VOLTAGE	V_{IH}	-	2.2	-	-	V
INPUT LOW VOLTAGE	V_{IL}	-	-	-	0.6	V
OUTPUT HIGH VOLTAGE	V_{OH}	$I_{OH}=0.2mA$	2.4	-	-	V
OUTPUT LOW VOLTAGE	V_{OL}	$I_{OL}=1.2mA$	-	-	0.4	V
POWER SUPPLY CURRENT	I_{DD}	$V_{DD}=5.0V$	-	1.5	2.5	mA
POWER SUPPLY FOR LCD	$V_{DD}-V_L$	$T_A=25°C$	4.3	-	4.7	V
LED FORWARD VOLTAGE	V_F	$I_F=90mA$	3.9	4.1	4.5	V
BRIGHTNESS	L	$I_F=90mA$	30	45	-	NIT
DRIVE METHOD	1/16 Duty					



Pin Connections

PIN NO.	SYMBOL	LEVEL	FUNCTION
1	V_{SS}	-	Power supply
2	V_{DD}	-	
3	V_L	-	
4	RS	H/L	H: Data input L: Instruction data input
5	R/W	H/L	H: Data read L: Data write
6	E	H,H→L	Enable signal
7	D0	H/L	Data bus
8	D1	H/L	
9	D2	H/L	
10	D3	H/L	
11	D4	H/L	
12	D5	H/L	
13	D6	H/L	
14	D7	H/L	
15	A	-	Anode for LED backlight
16	K	-	Cathode for LED backlight

Mouser Electronics

Authorized Distributor

Click to View Pricing, Inventory, Delivery & Lifecycle Information:

[Hantronix:](#)

[HDM16416L-1-L30S](#)