

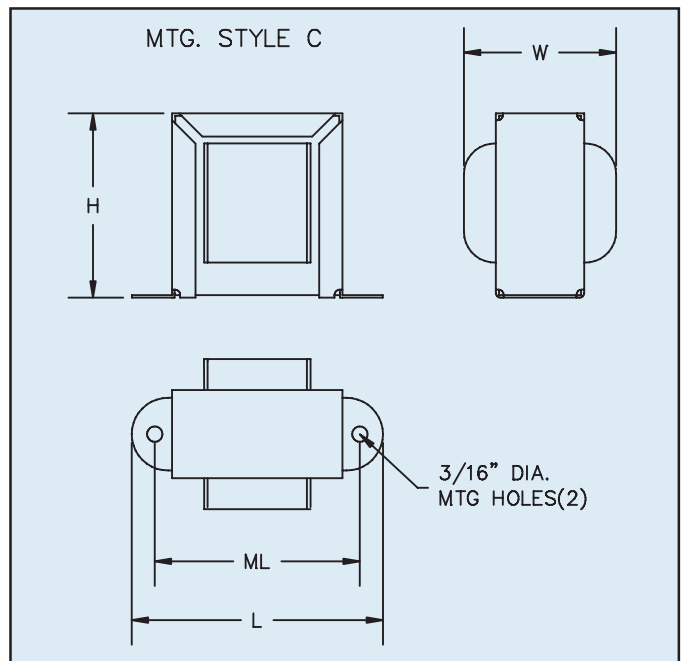
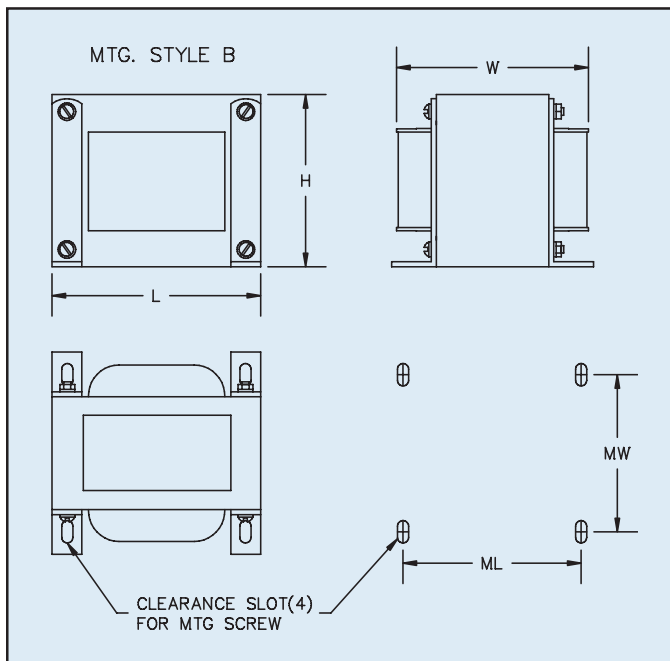
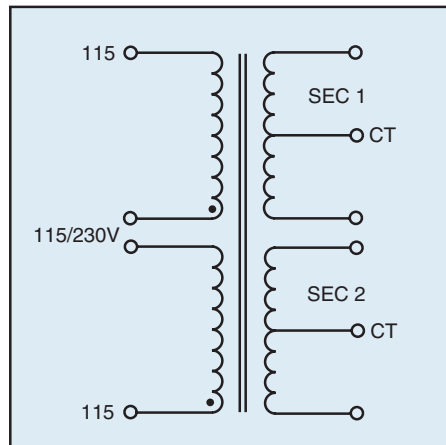
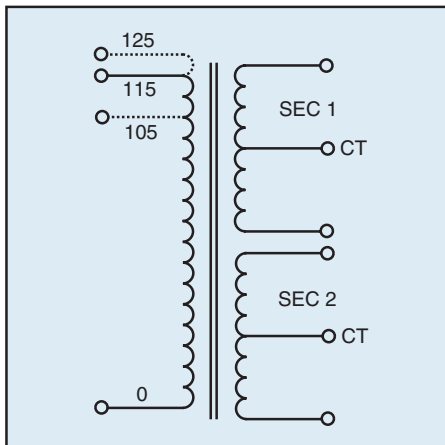
Conventional Rectifier Power Transformers Chassis Mount



Signal's rectifier power transformers provide a wide variety of outputs. This series of conservatively designed transformers is manufactured using traditional materials and layer wound techniques.

General Specifications

- Power - 10 VA to 2800 VA
- Dielectric Strength - 1500 Vrms Hipot
- Primaries - Single, tapped or dual primaries, 105V, 115V, 125V, 230V - 50/60 Hz
- Secondaries - Dual center tapped windings may be connected in series or parallel
- Insulation System - Class B insulation, 130° C



Custom versions available upon request.

©2008 Signal Transformer — Specification subject to change without notice. 07.08

Conventional Rectifier Power Transformers Chassis Mount



Primary 50/60 Hz		Second RMS Rating		Mtg Style	Dimensions					Mtg Screw	Weight
Single 115V	Dual 115/230V	Series	Parallel		L	W	H	ML	MW		
Inches (mm)											lbs (kg)
10-1	DL-10-1	10VCT @ 1A	5VCT @ 2A	C	2.87 (73.0)	1.75 (44.5)	2.31 (58.7)	2.37 (60.3)	-	#8	1.0 (.45)
10-2	DL-10-2	10VCT @ 2A	5VCT @ 4A	C	3.12 (79.4)	2.12 (53.9)	2.75 (69.9)	2.81 (71.4)	-	#8	1.5 (.68)
10-4	DL-10-4	10VCT @ 4A	5VCT @ 8A	C	3.56 (90.5)	2.37 (60.3)	3.06 (77.7)	3.12 (79.4)	-	#8	2.3 (1.04)
10-6	DL-10-6	10VCT @ 6A	5VCT @ 12A	B	3.37 (85.7)	2.75 (69.9)	2.81 (71.4)	2.81 (71.4)	2.12 (53.9)	#8	3.3 (1.50)
10-8	DL-10-8	10VCT @ 8A	5VCT @ 16A	B	3.37 (85.7)	3.12 (79.4)	2.81 (71.4)	2.81 (71.4)	2.50 (63.5)	#8	4.01 (1.81)
10-12	DL-10-12	10VCT @ 12A	5VCT @ 24A	B	3.75 (95.3)	3.25 (82.6)	3.12 (79.4)	3.12 (79.4)	2.50 (63.5)	#8	5.0 (2.27)
10-25	DL-10-25	10VCT @ 25A	5VCT @ 50A	B	4.50 (114.3)	3.75 (95.3)	3.75 (95.3)	3.75 (95.3)	2.75 (69.9)	#10	8.7 (3.95)
10-50‡	DL-10-50	10VCT @ 50A	5VCT @ 100A	B	5.35 (133.4)	5.50 (139.7)	4.37 (111.1)	4.37 (111.1)	3.62 (92.1)	1/4	17.0 (7.71)
10-100‡	DL-10-100	10VCT @ 100A	5VCT @ 200A	B	6.37 (162.0)	7.25 (184.2)	5.31 (134.9)	5.31 (134.9)	4.37 (111.1)	1/4	34.5 (15.65)
12.8-1	DL-12.8-1	12.8VCT @ 1A	6.4VCT @ 2A	C	2.87 (73.0)	2.00 (50.8)	2.31 (58.7)	2.31 (58.7)	-	#8	1.2 (.54)
12.8-2	DL-12.8-2	12.8VCT @ 2A	6.4VCT @ 4A	B	3.00 (76.2)	2.50 (63.5)	2.50 (63.5)	2.50 (63.5)	2.00 (50.8)	#8	2.3 (1.04)
12.8-4	DL-12.8-4	12.8VCT @ 4A	6.4VCT @ 8A	B	3.00 (76.2)	2.50 (63.5)	2.50 (63.5)	2.50 (63.5)	2.37 (60.3)	#8	2.8 (1.27)
12.8-6	DL-12.8-6	12.8VCT @ 6A	6.4VCT @ 12A	B	3.37 (85.7)	3.06 (77.7)	2.81 (71.4)	2.81 (71.4)	2.50 (63.5)	#8	4.0 (1.81)
12.8-8	DL-12.8-8	12.8VCT @ 8A	6.4VCT @ 16A	B	3.75 (95.3)	3.12 (79.4)	3.12 (79.4)	3.12 (79.4)	2.25 (57.2)	#8	4.5 (2.04)
12.8-12‡	DL-12.8-12	12.8VCT @ 12A	6.4VCT @ 24A	B	4.12 (104.8)	3.25 (82.6)	3.43 (87.3)	3.43 (87.3)	2.37 (60.3)	#10	6.0 (2.72)
12.8-25‡	DL-12.8-25	12.8VCT @ 25A	6.4VCT @ 50A	B	5.25 (133.4)	4.25 (108.0)	4.37 (111.1)	4.37 (111.1)	2.87 (73.0)	#10	12.5 (5.69)
12.8-50‡	DL-12.8-50	12.8VCT @ 50A	6.4VCT @ 100A	B	5.25 (133.4)	6.00 (152.4)	4.37 (111.1)	4.37 (111.1)	4.12 (104.8)	1/4	20.7 (9.39)
12.8-100‡	DL-12.8-100	12.8VCT @ 100A	6.4VCT @ 200A	B	6.37 (162.0)	7.25 (184.2)	5.31 (134.9)	5.31 (134.9)	4.37 (111.1)	1/4	34.5 (15.65)

‡ Nominal 115V primary has added taps, i.e., 105/115/125V; Dual (DL) version is 115/230V only.

‡ Available with dual primary only. Therefore, prefix DL is not required.

Custom versions available upon request.

©2008 Signal Transformer — Specification subject to change without notice. 07.08

Conventional Rectifier Power Transformers Chassis Mount



Primary 50/60 Hz		Second RMS Rating		Mtg Style	Dimensions					Mtg Screw	Weight
Single 115V	Dual 115/230V	Series	Parallel		L	W	H	ML	MW		
Inches (mm)											lbs (kg)
16-1	DL-16-1	16VCT @ 1A	8VCT @ 2A	C	2.87 (73.0)	2.00 (50.8)	2.31 (58.7)	2.37 (60.3)	-	#8	1.2 (.54)
16-2	DL-16-2	16VCT @ 2A	8VCT @ 4A	C	3.12 (79.4)	2.25 (57.2)	2.75 (69.9)	2.81 (71.4)	-	#8	1.7 (.77)
16-4	DL-16-4	16VCT @ 4A	8VCT @ 8A	B	3.37 (85.7)	2.75 (69.9)	2.81 (71.4)	2.81 (71.4)	2.12 (53.9)	#8	3.3 (1.50)
16-6	DL-16-6	16VCT @ 6A	8VCT @ 12A	B	3.75 (95.3)	3.12 (79.4)	3.12 (79.4)	3.12 (79.4)	2.25 (57.2)	#10	4.5 (2.04)
16-8	DL-16-8	16VCT @ 8A	8VCT @ 16A	B	3.75 (95.3)	3.50 (89.0)	3.12 (79.4)	3.12 (79.4)	2.62 (66.7)	#10	5.4 (2.45)
16-12	DL-16-12	16VCT @ 12A	8VCT @ 24A	B	4.12 (104.8)	3.87 (98.4)	3.43 (87.3)	3.43 (87.3)	3.00 (76.2)	#10	7.9 (3.58)
16-25	DL-16-25	16VCT @ 25A	8VCT @ 50A	B	4.50 (114.3)	5.37 (136.5)	3.75 (95.3)	3.75 (95.3)	4.00 (101.6)	#10	14.5 (6.58)
16-50‡	DL-16-50	16VCT @ 50A	8VCT @ 100A	B	6.37 (162.0)	5.70 (146.1)	5.31 (134.9)	5.31 (134.9)	3.75 (95.3)	1/4	26.5 (12.02)
16-100‡	DL-16-100	16VCT @ 100A	8VCT @ 200A	B	7.50 (190.5)	7.50 (190.5)	6.37 (162.0)	6.75 (171.5)	4.62 (117.5)	1/4	50.0 (22.68)
24-1	DL-24-1	24VCT @ 1A	12VCT @ 2A	B	3.00 (76.2)	2.50 (63.5)	2.50 (63.5)	2.50 (63.5)	2.00 (50.8)	#8	2.3 (1.04)
24-2	DL-24-2	24VCT @ 2A	12VCT @ 4A	B	3.00 (76.2)	2.87 (73.0)	2.50 (63.5)	2.50 (63.5)	2.37 (60.3)	#8	2.9 (1.32)
24-4	DL-24-4	24VCT @ 4A	12VCT @ 8A	B	3.75 (95.3)	3.12 (79.4)	3.12 (79.4)	3.12 (79.4)	2.25 (57.2)	#8	4.5 (2.04)
24-6	DL-24-6	24VCT @ 6A	12VCT @ 12A	B	4.12 (104.8)	3.25 (82.6)	3.43 (87.3)	3.43 (87.3)	2.37 (60.3)	#10	5.8 (2.63)
24-8	DL-24-8	24VCT @ 8A	12VCT @ 16A	B	4.12 (104.8)	3.87 (98.4)	3.43 (87.3)	3.43 (87.3)	3.00 (76.2)	#10	7.9 (3.58)
24-12‡	DL-24-12	24VCT @ 12A	12VCT @ 24A	B	4.50 (114.3)	4.50 (114.3)	3.75 (95.3)	3.75 (95.3)	3.37 (85.7)	#10	11.0 (4.99)
24-20‡	DL-24-20	24VCT @ 20A	12VCT @ 40A	B	5.25 (133.4)	4.75 (120.7)	4.37 (111.1)	4.37 (111.1)	3.37 (85.7)	1/4	15.3 (6.95)
24-25‡	DL-24-25	24VCT @ 25A	12VCT @ 50A	B	5.25 (133.4)	5.62 (142.9)	4.37 (111.1)	4.37 (111.1)	4.12 (104.8)	1/4	19.5 (8.85)
24-50‡	DL-24-50	24VCT @ 50A	12VCT @ 100A	B	6.37 (162.0)	6.25 (158.8)	5.31 (134.9)	5.31 (134.9)	4.37 (111.1)	1/4	31.3 (14.20)
—	24-100‡	24VCT @ 100A	12VCT @ 200A	B	7.50 (190.5)	7.00 (177.8)	6.37 (162.0)	6.75 (171.45)	4.12 (104.8)	1/4	43.0 (19.5)

‡ Nominal 115V primary has added taps, i.e., 105/115/125V; Dual (DL) version is 115/230V only.

† Available with dual primary only. Therefore, prefix DL is not required.

Custom versions available upon request.

©2008 Signal Transformer — Specification subject to change without notice. 07.08

Conventional Rectifier Power Transformers Chassis Mount



Primary 50/60 Hz		Second RMS Rating		Mtg Style	Dimensions					Mtg Screw	Weight
Single 115V	Dual 115/230V	Series	Parallel		L	W	H	ML	MW		
Inches (mm)											lbs (kg)
36-1	DL-36-1	36VCT @ 1A	18VCT @ 2A	B	3.00 (76.2)	2.75 (69.9)	2.50 (63.5)	2.50 (63.5)	2.25 (57.2)	#8	2.6 (1.18)
36-2	DL-36-2	36VCT @ 2A	18VCT @ 4A	B	3.37 (85.7)	2.93 (74.6)	2.81 (71.4)	2.81 (71.4)	2.37 (60.3)	#8	3.8 (1.72)
36-4	DL-36-4	36VCT @ 4A	18VCT @ 8A	B	4.12 (104.8)	3.37 (85.7)	3.43 (87.3)	3.43 (87.3)	2.62 (66.7)	#10	6.8 (3.08)
36-6	DL-36-6	36VCT @ 6A	18VCT @ 12A	B	4.50 (114.3)	3.75 (95.3)	3.75 (95.3)	3.75 (95.3)	2.75 (69.9)	#10	8.7 (3.95)
36-8‡	DL-36-8	36VCT @ 8A	18VCT @ 16A	B	4.50 (114.3)	4.50 (114.3)	3.75 (95.3)	3.75 (95.3)	3.37 (85.7)	#10	11.0 (4.99)
36-12‡	DL-36-12	36VCT @ 12A	18VCT @ 24A	B	5.25 (133.4)	5.00 (127.0)	4.37 (111.1)	4.37 (111.1)	3.37 (85.7)	1/4	15.0 (6.80)
36-20‡	DL-36-20	36VCT @ 20A	18VCT @ 40A	B	6.37 (162.0)	5.37 (136.5)	5.31 (134.9)	5.31 (134.9)	3.37 (85.7)	1/4	22.8 (10.34)
36-25‡	DL-36-25	36VCT @ 25A	18VCT @ 50A	B	6.37 (162.0)	5.75 (146.1)	5.31 (134.9)	5.31 (134.9)	3.75 (95.3)	1/4	26.5 (12.02)
36-30‡	DL-36-30	36VCT @ 30A	18VCT @ 60A	B	6.37 (162.0)	6.00 (152.4)	5.31 (134.9)	5.31 (134.9)	4.37 (111.1)	1/4	31.5 (14.28)
—	36-50†	36VCT @ 50A	18VCT @ 100A	B	6.37 (162.0)	7.25 (184.2)	5.31 (134.9)	5.31 (134.9)	5.12 (130.2)	1/4	40.0 (18.14)
56-1	DL-56-1	56VCT @ 1A	28VCT @ 2A	B	3.37 (85.7)	2.87 (73.0)	2.81 (71.4)	2.81 (71.4)	2.25 (57.2)	#8	3.5 (1.59)
56-2	DL-56-2	56VCT @ 2A	28 VCT @ 4A	B	3.75 (95.3)	3.25 (82.6)	3.12 (79.4)	3.12 (79.4)	2.50 (63.5)	#8	5.0 (2.27)
56-4	DL-56-4	56VCT @ 4A	28VCT @ 8A	B	4.12 (104.8)	3.75 (95.3)	3.43 (87.3)	3.43 (87.3)	3.00 (76.2)	#10	7.7 (3.49)
56-6	DL-56-6	56VCT @ 6A	28VCT @ 12A	B	5.25 (133.4)	4.25 (108.0)	4.37 (111.1)	4.37 (111.1)	2.87 (73.0)	#10	12.0 (5.44)
56-8‡	DL-56-8	56VCT @ 8A	28VCT @ 16A	B	5.25 (133.4)	5.00 (127.0)	4.37 (111.1)	4.37 (111.1)	3.62 (92.1)	#1/4	17.0 (7.71)
56-12‡	DL-56-12	56VCT @ 12A	28VCT @ 24A	B	6.37 (162.0)	5.25 (133.4)	5.31 (134.9)	5.31 (134.9)	3.37 (85.7)	1/4	22.0 (9.98)
56-25‡	DL-56-25	56VCT @ 25A	28VCT @ 50A	B	6.37 (162.0)	7.12 (181.0)	5.31 (134.9)	5.31 (134.9)	5.12 (130.2)	1/4	38.0 (17.24)
—	56-50†	56VCT @ 50A	28VCT @ 100A	B	7.50 (190.5)	7.50 (190.5)	6.24 (158.8)	6.75 (171.5)	4.87 (123.8)	1/4	56.3 (25.54)

‡ Nominal 115V primary has added taps, i.e., 105/115/125V; Dual (DL) version is 115/230V only.

† Available with dual primary only. Therefore, prefix DL is not required.

Custom versions available upon request.

©2008 Signal Transformer — Specification subject to change without notice. 07.08

Conventional Rectifier Power Transformers Chassis Mount



Primary 50/60 Hz		Second RMS Rating		Mtg Style	Dimensions					Mtg Screw	Weight
Single 115V	Dual 115/230V	Series	Parallel		L	W	H	ML	MW		
Inches (mm)											lbs (kg)
68-1	DL-68-1	68VCT @ 1A	34VCT @ 2A	B	3.37 (85.7)	2.93 (74.6)	2.81 (71.4)	2.81 (71.4)	2.37 (60.3)	#8	3.8 (1.72)
68-2	DL-68-2	68VCT @ 2A	34VCT @ 4A	B	4.12 (104.8)	3.37 (85.7)	3.43 (87.3)	3.43 (87.3)	2.62 (66.7)	#10	6.8 (3.08)
68-4	DL-68-4	68VCT @ 4A	34VCT @ 8A	B	4.50 (114.3)	4.50 (114.3)	3.75 (95.3)	3.75 (95.3)	3.37 (85.7)	#10	11.5 (5.22)
68-6‡	DL-68-6	68VCT @ 6A	34VCT @ 12A	B	5.25 (133.4)	5.00 (127.0)	4.37 (111.1)	4.37 (111.1)	3.37 (85.7)	1/4	15.0 (6.80)
68-8‡	DL-68-8	68VCT @ 8A	34VCT @ 16A	B	5.25 (133.4)	5.50 (139.7)	4.37 (111.1)	4.37 (111.1)	3.87 (98.4)	1/4	19.0 (8.62)
68-12‡	DL-68-12	68VCT @ 12A	34VCT @ 24A	B	6.37 (162.0)	5.75 (146.1)	5.31 (134.9)	5.31 (134.9)	3.75 (95.3)	1/4	26.5 (12.02)
—	68-25†	68VCT @ 25A	34VCT @ 50A	B	6.37 (162.0)	7.25 (184.2)	5.31 (134.9)	5.31 (134.9)	5.12 (130.2)	1/4	39.7 (18.01)
80-1	DL-80-1	80VCT @ 1A	40VCT @ 2A	B	3.37 (85.7)	3.06 (77.7)	2.81 (71.4)	2.81 (71.4)	2.50 (63.5)	#8	4.0 (1.81)
80-2	DL-80-2	80VCT @ 2A	40VCT @ 4A	B	4.12 (104.8)	3.37 (85.7)	3.43 (87.3)	3.43 (87.3)	2.62 (66.7)	#10	6.8 (3.08)
80-4	DL-80-4	80VCT @ 4A	40VCT @ 8A	B	5.25 (133.4)	4.25 (108.0)	4.37 (111.1)	4.37 (111.1)	2.87 (73.0)	1/4	12.3 (5.58)
80-6‡	DL-80-6	80VCT @ 6A	40VCT @ 12A	B	5.25 (133.4)	5.50 (139.7)	4.37 (111.1)	4.37 (111.1)	3.87 (98.4)	1/4	19.0 (8.62)
80-8‡	DL-80-8	80VCT @ 8A	40VCT @ 16A	B	6.37 (162.0)	5.25 (133.4)	5.31 (134.9)	5.31 (134.9)	3.25 (82.6)	1/4	20.5 (9.30)
80-12‡	DL-80-12	80VCT @ 12A	40VCT @ 24A	B	6.37 (162.0)	6.00 (152.4)	5.31 (134.9)	5.31 (134.9)	4.12 (104.8)	1/4	29.0 (13.15)
—	80-25†	80VCT @ 25A	40VCT @ 50A	B	7.50 (190.5)	6.50 (165.1)	6.25 (158.8)	6.75 (171.5)	3.87 (98.4)	1/4	40.3 (18.28)

‡ Nominal 115V primary has added taps, i.e., 105/115/125V; Dual (DL) version is 115/230V only.

† Available with dual primary only. Therefore, prefix DL is not required.

Custom versions available upon request.

©2008 Signal Transformer — Specification subject to change without notice. 07.08