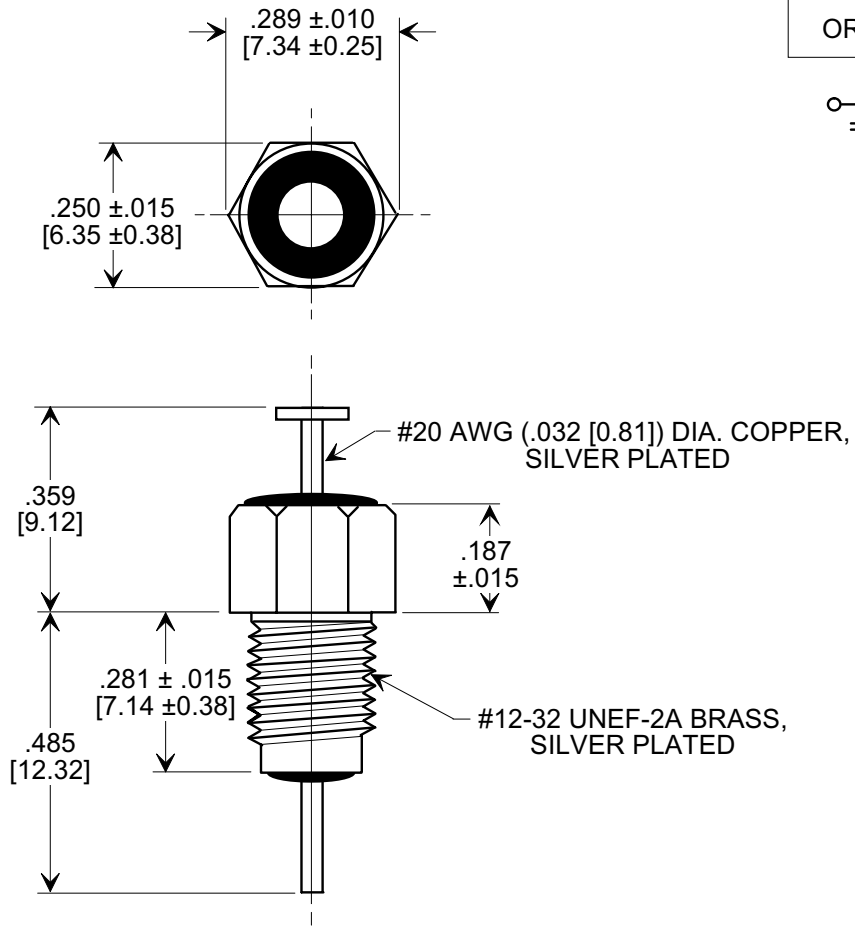
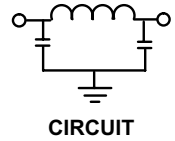
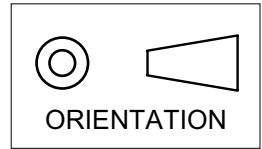


MARKETING SALES DRAWING

DIMENSIONS IN INCHES - DO NOT SCALE THIS DRAWING
DIMENSIONS IN METRIC - []

Electrical Testing
 per Tusonix standard
 test plans and Mil-Std-202
 Test Methods.



NOTES:

- SUPPLIED WITH SILVER PLATED HEX NUT AND LOCK WASHER.
- TUSONIX STANDARD PART NUMBER: 4202-005.
 TUSONIX RoHS COMPLIANT PART NUMBER: 4202-005 LF.
 CUSTOMER MUST SPECIFY STANDARD OR RoHS PART NUMBER WHEN ORDERING.
- PART MARKING: TRADEMARK AND VARIATION NUMBER ON HEX FLATS.
 STANDARD PART: BLACK INK. RoHS PART: GREEN INK.

MIN. CAP. (pF)	WORKING VOLTAGE (VDC)		CURRENT (Idc)	I.R. MIN. @ 100 (VDC.)	DWV (VDC)	MINIMUM NO LOAD INSERTION LOSS (dB) AT 25°C PER MIL-STD -220			
	85°C	125°C				10 MHz	100 MHz	1 GHz	10 GHz
2500	500	350	10A	10 G	1200	5	50	70	70

X-2015 Rev-0 REVISION RECORD Original Release C.O. 951208-4 ADDED NOTES, I.R, DWV, REF. TO PLATING ON LEAD & BUSHING. S.M. 05-18-05 20050503-6-12	0	1	--TOLERANCES-- Unless Otherwise Specified		Title BUSHING STYLE EMI FILTER		
	DECIMAL ± .031 [0.79]		ANGLES ±		Drawn S.M. 12-07-95	Scale 3 X	
	TUSONIX TUCSON, ARIZONA		Approved B.M. 12-07-95		A 4202-005		
	A		B.M. 12-07-95				