

**REVISIONS**

LTR	DESCRIPTION	DATE (YR-MO-DA)	APPROVED
F	Change to military drawing format. Add device type 03. Device 01, case E, inactive for new design. Table I (device 01) change test condition for $I_{IL}$ . Table I (device 02): Delete test $R_{DS2}$ and $V_{CT}$ ; add test $\Delta R_{DS1}$ ; change test conditions and limits for: $R_{DS1}$ , $C_{IS}$ , $V_{ISO}$ , $t_D$ , $t_{ON(A)} - t_{OFF(A)}$ and $t_{ON(EN)} - t_{OFF(EN)}$ .	87-01-30	M.A. Frye
G	Add case outline 2. Electrical changes in table I, 1.3, and 1.4. Editorial changes throughout. Change vendor CAGE 34371 vendor PINs and add vendor CAGE 24355. Delete vendor CAGE 32293 and add vendor CAGE 1ES66.	94-03-24	M.A. Frye

The original first page of this drawing has been replaced.

**CURRENT CAGE CODE 67268**

REV																		
SHEET																		
REV	G	G	G	G	G													
SHEET	14	15	16	17	18													
REV STATUS OF SHEETS		REV	G	G	G	G	G	G	G	G	G	G	G	G	G	G	G	G
		SHEET	1	2	3	4	5	6	7	8	9	10	11	12	13			
PMIC N/A		PREPARED BY Donald R. Osborne					DEFENSE ELECTRONICS SUPPLY CENTER DAYTON, OHIO 45444											
<b>STANDARDIZED MILITARY DRAWING</b>  THIS DRAWING IS AVAILABLE FOR USE BY ALL DEPARTMENTS AND AGENCIES OF THE DEPARTMENT OF DEFENSE  AMSC N/A		CHECKED BY D.A. DiCenzo					MICROCIRCUIT, CMOS, POSITIVE LOGIC 8-CHANNEL ANALOG MULTIPLEXERS/DEMULTIPLEXERS, MONOLITHIC SILICON											
		APPROVED BY N.A. Hauck																
		DRAWING APPROVAL DATE 77-10-26					SIZE A	CAGE CODE 14933	77052									
		REVISION LEVEL G					SHEET	1	OF	18								

DESC FORM 193-1  
JUL 91

5962-E372-93

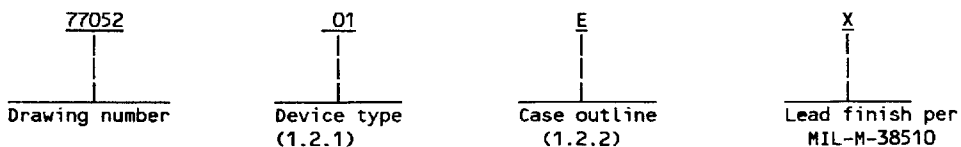
DISTRIBUTION STATEMENT A. Approved for public release; distribution is unlimited.

9004708 0000755 T95

1. SCOPE

1.1 Scope. This drawing describes device requirements for class B microcircuits in accordance with 1.2.1 of MIL-STD-883, "Provisions for the use of MIL-STD-883 in conjunction with compliant non-JAN devices".

1.2 Part or Identifying Number (PIN). The complete PIN shall be as shown in the following example:



1.2.1 Device type(s). The device type(s) shall identify the circuit function as follows:

<u>Device type</u>	<u>Generic number</u>	<u>Circuit function</u>
01	DG508A, HI-508, ADG508A	CMOS, positive logic, 8-channel analog MUX/DEMUX
02	HI-508A, HI-548	CMOS, positive logic, 8-channel analog MUX/DEMUX with overvoltage protection
03	MAX358	CMOS, positive logic, 8-channel analog MUX/DEMUX with overvoltage protection

1.2.2 Case outline(s). The case outline(s) shall be as designated in MIL-STD-1835 and as follows:

<u>Outline letter</u>	<u>Descriptive designator</u>	<u>Terminals</u>	<u>Package style</u>
E	GDIP1-T16 or CDIP2-T16	16	Dual-in-line
F	GDFP2-F16 or CDFP3-F16	16	Flat pack
2	CQCC1-N20	20	Square leadless chip carrier

1.2.3 Lead finish. The lead finish shall be as specified in MIL-STD-883 (see 3.1 herein). Finish letter "X" shall not be marked on the microcircuit or its packaging. The "X" designation is for use in specifications when lead finishes A, B, and C are considered acceptable and interchangeable without preference.

STANDARDIZED MILITARY DRAWING DEFENSE ELECTRONICS SUPPLY CENTER DAYTON, OHIO 45444	SIZE <b>A</b>		77052
		REVISION LEVEL G	SHEET 2

DESC FORM 193A  
 JUL 91

9004708 0000756 921

1.3 Absolute maximum ratings.

Supply voltage between V+ and V-:	
Device type 01	+44 V dc
Device types 02 and 03	+40 V dc
V+ to ground:	
Device type 01	+22 V dc
Device types 02 and 03	+20 V dc
V- to ground:	
Device type 01	-22 V dc
Device types 02 and 03	-20 V dc
Digital input overvoltage range	
Device types 02 and 03	(V-) - 4.0 V dc to (V+) + 4.0 V dc
Analog input overvoltage range	
Device type 01	(V-) - 3.0 V dc to (V+)
Analog input voltage (V <sub>S</sub> ):	
Device type 01	(V-) - 2 V dc to (V+) + 2 V dc
Device types 02 and 03	(V-) - 20 V dc to (V+) + 20 V dc
Storage temperature range	
	-65°C to +150°C
Power dissipation (P <sub>D</sub> ):	
Case E	470 mW at T <sub>A</sub> = +75°C
Case F	725 mW at T <sub>A</sub> = +75°C
Case 2	1.23 W at T <sub>A</sub> = +75°C
Derating factor:	
Case E	12.0 mW/°C above T <sub>A</sub> = +75°C
Case F	8.0 mW/°C above T <sub>A</sub> = +25°C
Case 2	12.3 mW/°C above T <sub>A</sub> = +75°C
Thermal resistance, junction-to-case (θ <sub>JC</sub> )	
	See MIL-STD-1835
Lead temperature (soldering, 10 seconds)	
	+300°C
Junction temperature (T <sub>J</sub> )	
	+175°C

1.4 Recommended operating conditions.

Positive supply voltage (V+)	+15 V dc
Negative supply voltage (V-)	-15 V dc
Logic low level address input voltage (V <sub>IL</sub> )	0 V dc to 0.8 V dc
Logic high level address input voltage (V <sub>IH</sub> ):	
Device types 01 and 03	2.4 V dc to (V+) - 0.7 V dc
Device type 02	4.0 V dc to V+
Enable voltage (V <sub>EN</sub> ):	
Device type 01	4.5 V dc to (V+) - 0.7 V dc
Device type 02	4.0 V dc to (V+) - 0.7 V dc
Device type 03	2.4 V dc to (V+) - 0.7 V dc
Ambient operating temperature range (T <sub>A</sub> )	-55°C to +125°C

2. APPLICABLE DOCUMENTS

2.1 Government specification, standard, and bulletin. Unless otherwise specified, the following specification, standards, and bulletin of the issue listed in that issue of the Department of Defense Index of Specifications and Standards specified in the solicitation, form a part of this drawing to the extent specified herein.

SPECIFICATION

MILITARY

MIL-M-38510 - Microcircuits, General Specification for.

STANDARDS

MILITARY

MIL-STD-883 - Test Methods and Procedures for Microelectronics.  
 MIL-STD-1835 - Microcircuit Case Outlines.

STANDARDIZED MILITARY DRAWING DEFENSE ELECTRONICS SUPPLY CENTER DAYTON, OHIO 45444	SIZE A		77052
		REVISION LEVEL G	SHEET 3

DESC FORM 193A  
 JUL 91

9004708 0000757 868

BULLETIN

MILITARY

MIL-BUL-103 - List of Standardized Military Drawings (SMD's).

(Copies of the specification, standards, and bulletin required by manufacturers in connection with specific acquisition functions should be obtained from the contracting activity or as directed by the contracting activity.)

2.2 Order of precedence. In the event of a conflict between the text of this drawing and the references cited herein, the text of this drawing shall take precedence.

3. REQUIREMENTS

3.1 Item requirements. The individual item requirements shall be in accordance with 1.2.1 of MIL-STD-883, "Provisions for the use of MIL-STD-883 in conjunction with compliant non-JAN devices" and as specified herein. Product built to this drawing that is produced by a Qualified Manufacturer Listing (QML) certified and qualified manufacturer or a manufacturer who has been granted transitional certification to MIL-I-38535 may be processed as QML product in accordance with the manufacturers approved program plan and qualifying activity approval in accordance with MIL-I-38535. This QML flow as documented in the Quality Management (QM) plan may make modifications to the requirements herein. These modifications shall not affect form, fit, or function of the device. These modifications shall not affect the PIN as described herein. A "Q" or "QML" certification mark in accordance with MIL-I-38535 is required to identify when the QML flow option is used.

3.2 Design, construction, and physical dimensions. The design, construction, and physical dimensions shall be as specified in MIL-STD-883 (see 3.1 herein) and herein.

3.2.1 Case outline(s). The case outline(s) shall be in accordance with 1.2.2 herein.

3.2.2 Terminal connections. The terminal connections shall be as specified on figure 1.

3.2.3 Truth table(s). The truth table(s) shall be as specified on figure 2.

3.3 Electrical performance characteristics. Unless otherwise specified herein, the electrical performance characteristics are as specified in table I and shall apply over the full ambient operating temperature range.

3.4 Electrical test requirements. The electrical test requirements shall be the subgroups specified in table II. The electrical tests for each subgroup are described in table I.

3.5 Marking. Marking shall be in accordance with MIL-STD-883 (see 3.1 herein). The part shall be marked with the PIN listed in 1.2 herein. In addition, the manufacturer's PIN may also be marked as listed in MIL-BUL-103 (see 6.6 herein).

3.6 Certificate of compliance. A certificate of compliance shall be required from a manufacturer in order to be listed as an approved source of supply in MIL-BUL-103 (see 6.6 herein). The certificate of compliance submitted to DESC-EC prior to listing as an approved source of supply shall affirm that the manufacturer's product meets the requirements of MIL-STD-883 (see 3.1 herein) and the requirements herein.

3.7 Certificate of conformance. A certificate of conformance as required in MIL-STD-883 (see 3.1 herein) shall be provided with each lot of microcircuits delivered to this drawing.

3.8 Notification of change. Notification of change to DESC-EC shall be required in accordance with MIL-STD-883 (see 3.1 herein).

3.9 Verification and review. DESC, DESC's agent, and the acquiring activity retain the option to review the manufacturer's facility and applicable required documentation. Offshore documentation shall be made available onshore at the option of the reviewer.

4. QUALITY ASSURANCE PROVISIONS

4.1 Sampling and inspection. Sampling and inspection procedures shall be in accordance with MIL-STD-883 (see 3.1 herein).

STANDARDIZED MILITARY DRAWING DEFENSE ELECTRONICS SUPPLY CENTER DAYTON, OHIO 45444	SIZE A		77052
		REVISION LEVEL G	SHEET 4

DESC FORM 193A  
JUL 91

9004708 0000758 7T4

TABLE I. Electrical performance characteristics.  
(Device type 01)

Test	Symbol	Conditions <sup>1/</sup> ( $V_- = -15\text{ V}$ , $V_+ = +15\text{ V}$ , $V_{EN} = 4.5\text{ V}$ ) $-55^\circ\text{C} \leq T_A \leq +125^\circ\text{C}$ unless otherwise specified	Group A subgroups	Limits		Unit
				Min	Max	
Input leakage current <sup>2/</sup>	$I_{IH}$	Measure address inputs sequentially, connect all unused address inputs to 5.0 V	1, 2		+0.8	$\mu\text{A}$
	$I_{IL}$	Measure address inputs sequentially, connect all unused address inputs to 5.0 V			-0.8	
Leakage current into the source terminal of an "OFF" switch	$+I_{S(OFF)}$	$V_S = +10\text{ V}$ , $V_{EN} = 0.8\text{ V}$ All unused inputs = -10 V	1, 2, 3	-50	+50	nA
	$-I_{S(OFF)}$	$V_S = -10\text{ V}$ , $V_{EN} = 0.8\text{ V}$ All unused sources = +10 V				
Leakage current into the drain terminal of an "OFF" switch	$+I_{D(OFF)}$	$V_D = 10\text{ V}$ , $V_{EN} = 0.8\text{ V}$ All unused inputs = -10 V	1, 2, 3	-250	+250	nA
	$-I_{D(OFF)}$	$V_D = -10\text{ V}$ , $V_{EN} = 0.8\text{ V}$ All unused inputs = +10 V				
Leakage current from an "ON" driver into the switch (drain)	$+I_{D(ON)}$	$V_D = 10\text{ V}$ , $V_S = -10\text{ V}$ All unused inputs = -10 V	1, 2, 3	-250	+250	nA
	$-I_{D(ON)}$	$V_D = -10\text{ V}$ , $V_S = 10\text{ V}$ All unused inputs = +10 V				
Positive supply current	$I(+)$	$V_A = 0\text{ V}$ , $V_{EN} = 5\text{ V}$	1, 2, 3		12	mA
Negative supply current	$I(-)$	$V_A = 0\text{ V}$ , $V_{EN} = 5\text{ V}$	1, 2, 3	-12		
Standby positive supply current	$+I_{SBY}$	$V_A = 0\text{ V}$ , $V_{EN} = 0\text{ V}$	1, 2, 3		3.5	mA
Standby negative supply current	$-I_{SBY}$	$V_A = 0\text{ V}$ , $V_{EN} = 0\text{ V}$			-3.5	
Switch "ON" resistance	$R_{DS1}$	$V_S = +10\text{ V}$ $I_D = +1\text{ mA}$	1, 3		400	$\Omega$
			2		500	
		1, 3		400		
			2		500	

See footnotes at end of table.

STANDARDIZED  
MILITARY DRAWING  
DEFENSE ELECTRONICS SUPPLY CENTER  
DAYTON, OHIO 45444

SIZE  
A

77052

REVISION LEVEL  
G

SHEET  
5

DESC FORM 193A  
JUL 91

9004708 0000759 630

TABLE I. Electrical performance characteristics - Continued.  
(Device type 01)

Test	Symbol	Conditions 1/ (V <sub>-</sub> = -15 V, V <sub>+</sub> = +15 V, V <sub>EN</sub> = 4.5 V) -55°C ≤ T <sub>A</sub> ≤ +125°C unless otherwise specified	Group A subgroups	Limits		Unit
				Min	Max	
Switch "ON" resistance	R <sub>DS2</sub>	V <sub>+</sub> = +10 V, V <sub>-</sub> = -10 V, V <sub>S</sub> = +7.5 V I <sub>D</sub> = -1 mA	1, 2, 3		1000	Ω
		V <sub>+</sub> = +10 V, V <sub>-</sub> = +10 V, V <sub>S</sub> = -7.5 V I <sub>D</sub> = -1 mA			1000	
Capacitance: Address	C <sub>A</sub>	V <sub>+</sub> = V <sub>-</sub> = 0 V 3/ f = 1 MHz T <sub>A</sub> = +25°C	4		10	pF
Capacitance: Output switch	C <sub>OS</sub>	V <sub>+</sub> = V <sub>-</sub> = 0 V 3/ f = 1 MHz T <sub>A</sub> = +25°C	4		45	pF
Capacitance: Input switch	C <sub>IS</sub>	V <sub>+</sub> = V <sub>-</sub> = 0 V 3/ f = 1 MHz T <sub>A</sub> = +25°C	4		10	pF
Charge transfer error	V <sub>CTE</sub>	V <sub>S</sub> = GND 3/ V <sub>GEN</sub> = 0 V to 5 V, f = 500 kHz T <sub>A</sub> = +25°C, C <sub>L</sub> = 100 pF	4		10	mV
Single channel isolation	V <sub>ISO</sub>	V <sub>GEN</sub> = 1 V <sub>p-p</sub> , f = 200 kHz 3/ T <sub>A</sub> = +25°C	4	50		dB
Crosstalk between channels	V <sub>CT</sub>	V <sub>GEN</sub> = 1 V <sub>p-p</sub> , f = 200 kHz 3/ T <sub>A</sub> = +25°C		50		
Break-before- make time delay	t <sub>D</sub>	T <sub>A</sub> = +25°C See figure 3	9	5		ns
Propagation delay times: Address inputs to I/O channels	t <sub>ON(A)</sub>	R <sub>L</sub> = 1kΩ, C <sub>L</sub> = 100pF See figures 4 and 5	9, 11		1000	ns
	t <sub>OFF(A)</sub>		10		1500	
Enable to I/O	t <sub>ON(EN)</sub>	R <sub>L</sub> = 1 kΩ, C <sub>L</sub> = 100 pF See figures 4 and 5	9, 11		1000	
	t <sub>OFF(EN)</sub>		10		1500	

See footnotes at end of table.

<b>STANDARDIZED MILITARY DRAWING DEFENSE ELECTRONICS SUPPLY CENTER DAYTON, OHIO 45444</b>	<b>SIZE A</b>		<b>77052</b>
		<b>REVISION LEVEL G</b>	<b>SHEET 6</b>

DESC FORM 193A  
JUL 91

9004708 0000760 352

TABLE I. Electrical performance characteristics - Continued.  
(Device type 02)

Test	Symbol	Conditions <sup>1/</sup> ( $V_- = -15\text{ V}$ , $V_+ = +15\text{ V}$ , $V_{EN} = 4.0\text{ V}$ ) $-55^\circ\text{C} \leq T_A \leq +125^\circ\text{C}$ unless otherwise specified	Group A subgroups	Limits		Unit
				Min	Max	
Positive input clamping voltage	$V_{IC(POS)}$	$I_{IN} = 1\text{ mA}$ , $V_+ = V_- = 0\text{ V}$ <sup>3/</sup> $T_A = +25^\circ\text{C}$	1		+1.5	V
Negative input clamping voltage	$V_{IC(NEG)}$	$I_{IN} = -1\text{ mA}$ , $V_+ = V_- = 0\text{ V}$ <sup>3/</sup> $T_A = +25^\circ\text{C}$	1	-1.5		V
Input leakage current <sup>2/</sup>	$I_{IH}$	Measure inputs sequentially, connect all unused inputs to GND	1, 2	-1.0	+1.0	$\mu\text{A}$
	$I_{IL}$	Measure inputs sequentially, connect all unused inputs to GND	1, 2	+1.0	-1.0	
Leakage current into the source terminal of an "OFF" switch	$+I_{S(OFF)}$	$V_S = 10\text{ V}$ , $V_{EN} = 0.8\text{ V}$ , $V_D = -10\text{ V}$ All unused inputs = $-10\text{ V}$	1, 2	-50	+50	nA
	$-I_{S(OFF)}$	$V_S = -10\text{ V}$ , $V_{EN} = 0.8\text{ V}$ , $V_D = +10\text{ V}$ All unused inputs = $+10\text{ V}$				
Leakage current into the drain terminal of an "OFF" switch	$+I_{D(OFF)}$	$V_D = +10\text{ V}$ , $V_{EN} = 0.8\text{ V}$ All unused inputs = $-10\text{ V}$	1, 2	-250	+250	nA
	$-I_{D(OFF)}$	$V_D = -10\text{ V}$ , $V_{EN} = 0.8\text{ V}$ All unused inputs = $+10\text{ V}$				
Leakage current from an "ON" driver the switch (drain)	$+I_{D(ON)}$	$V_S = +10\text{ V}$ , $V_D = +10\text{ V}$ All unused inputs = $-10\text{ V}$	1, 2, 3	-250	+250	nA
	$-I_{D(ON)}$	$V_S = -10\text{ V}$ , $V_D = -10\text{ V}$ All unused inputs = $+10\text{ V}$				
Overvoltage protected, leakage current into the drain terminal of an "OFF" switch	$+I_{D(OFF)}^{\text{over-voltage}}$	$V_S = 33\text{ V}$ , $V_D = 0\text{ V}$ , $V_{EN} = 0.8\text{ V}$	1, 2, 3	-2.0	+2.0	$\mu\text{A}$
	$-I_{D(OFF)}^{\text{over-voltage}}$	$V_S = -33\text{ V}$ , $V_D = 0\text{ V}$ , $V_{EN} = 0.8\text{ V}$				

See footnotes at end of table.

<b>STANDARDIZED MILITARY DRAWING DEFENSE ELECTRONICS SUPPLY CENTER DAYTON, OHIO 45444</b>	<b>SIZE A</b>		77052
		<b>REVISION LEVEL G</b>	<b>SHEET 7</b>

DESC FORM 193A  
JUL 91

9004708 0000761 299

TABLE I. Electrical performance characteristics - Continued.  
(Device type 02)

Test	Symbol	Conditions ( $V_- = -15\text{ V}$ , $V_+ = +15\text{ V}$ , $V_{EN} = 4.0\text{ V}$ ) $-55^\circ\text{C} \leq T_A \leq +125^\circ\text{C}$ unless otherwise specified	Group A subgroups	Limits		Unit
				Min	Max	
Positive supply current	I(+)	$V_A = 0\text{ V}$ , $V_{EN} = 4\text{ V}$	1, 2, 3		+2.0	mA
Negative supply current	I(-)	$V_A = 0\text{ V}$ , $V_{EN} = 4\text{ V}$	1, 2, 3	-1.0		mA
Standby positive supply current	+I <sub>SBY</sub>	$V_A = 0\text{ V}$ , $V_{EN} = 0\text{ V}$	1, 2, 3		+2.0	mA
Standby negative supply current	-I <sub>SBY</sub>	$V_A = 0\text{ V}$ , $V_{EN} = 0\text{ V}$	1, 2, 3	-1.0		mA
Switch "ON" resistance	+R <sub>DS1</sub>	$V_S = +10\text{ V}$ $I_D = -100\ \mu\text{A}$	1		1500	$\Omega$
			2, 3		1800	
	-R <sub>DS1</sub>	$V_S = -10\text{ V}$ $I_D = -100\ \mu\text{A}$	1		1500	$\Omega$
			2, 3		1800	
Difference in switch "ON" resistance between channels	+ $\Delta R_{DS1}$	$(+R_{DS1\text{ max}}) - (+R_{DS1\text{ min}}) \times 100 / +R_{DS1\text{ AVE}}$ , $T_A = +25^\circ\text{C}$	1		7	%
	- $\Delta R_{DS1}$	$(-R_{DS1\text{ max}}) - (-R_{DS1\text{ min}}) \times 100 / -R_{DS1\text{ AVE}}$ , $T_A = +25^\circ\text{C}$	1		7	
Capacitance: Address	C <sub>A</sub>	$V_+ = V_- = 0\text{ V}$ $f = 1\text{ MHz}$ , $T_A = +25^\circ\text{C}$	4		10	pF
Capacitance: Output switch	C <sub>OS</sub>	$V_+ = V_- = 0\text{ V}$ $f = 1\text{ MHz}$ , $T_A = +25^\circ\text{C}$			45	

See footnotes at end of table.

<b>STANDARDIZED MILITARY DRAWING DEFENSE ELECTRONICS SUPPLY CENTER DAYTON, OHIO 45444</b>	<b>SIZE A</b>		<b>77052</b>
		<b>REVISION LEVEL G</b>	<b>SHEET 8</b>

DESC FORM 193A  
JUL 91

9004708 0000762 125



TABLE I. Electrical performance characteristics - Continued.  
(Device type 02)

Test	Symbol	Conditions <sup>1/</sup> (V <sub>-</sub> = -15 V, V <sub>+</sub> = +15 V, V <sub>EN</sub> = 4.0 V) -55°C ≤ T <sub>A</sub> ≤ +125°C unless otherwise specified	Group A subgroups	Limits		Unit
				Min	Max	
Capacitance: Input switch	C <sub>IS</sub>	V <sub>+</sub> = V <sub>-</sub> = 0 V <sup>3/</sup> f = 1 MHz, T <sub>A</sub> = +25°C	4		15	pF
Charge transfer error	V <sub>CTE</sub>	V <sub>S</sub> = GND, <sup>3/</sup> V <sub>GEN</sub> = 0 V to 5 V, T <sub>A</sub> = +25°C				10
Off isolation	V <sub>ISO</sub>	V <sub>GEN</sub> = 0.8 V p-p, f = 100 kHz <sup>3/</sup> T <sub>A</sub> = +25°C, V <sub>S</sub> = 7 V rms R <sub>L</sub> = 1 kΩ, C <sub>L</sub> = 15 pF	4	50		dB
Break-before- make time delay	t <sub>D</sub>	T <sub>A</sub> = +25°C, See figure 3 <sup>3/</sup> R <sub>L</sub> = 1 kΩ, C <sub>L</sub> = 12.5 pF	9	5		ns
Propagation delay times:	t <sub>ON(A)</sub>	R <sub>L</sub> = 10 MΩ <sup>3/</sup> C <sub>L</sub> = 14 pF	9		500	
	t <sub>OFF(A)</sub>	See figures 4 and 5	10, 11		1000	
Enable to I/O	t <sub>ON(EN)</sub>	R <sub>L</sub> = 1 kΩ <sup>3/</sup> C <sub>L</sub> = 12.5 pF	9		500	
	t <sub>OFF(EN)</sub>	See figures 4 and 5	10, 11		1000	

See footnotes at end of table.

STANDARDIZED MILITARY DRAWING DEFENSE ELECTRONICS SUPPLY CENTER DAYTON, OHIO 45444	SIZE A		77052
		REVISION LEVEL G	SHEET 9

DESC FORM 193A  
JUL 91

9004708 0000763 061

TABLE I. Electrical performance characteristics - Continued.  
(Device type 03)

Test	Symbol	Conditions ( $V_- = -15\text{ V}$ , $V_+ = +15\text{ V}$ , $V_{EN} = 2.4\text{ V}$ ) $-55^\circ\text{C} \leq T_A \leq +125^\circ\text{C}$ unless otherwise specified	Group A subgroups	Limits		Unit
				Min	Max	
Input leakage current $I_{IH}$	$I_{IH}$	Measure inputs sequentially, connect all unused inputs to ground	1	-1.0	1.0	$\mu\text{A}$
			2		10	
	$I_{IL}$		1	-1.0	1.0	$\mu\text{A}$
			2		10	
Leakage current into the source terminal of an "OFF" switch	$I_{S(OFF)}$	$V_S = +10\text{ V}$ , $V_{EN} = 0.8\text{ V}$ , All unused inputs = $-10\text{ V}$ , $V_D = -10\text{ V}$	1, 2	-50	50	nA
		$V_S = -10\text{ V}$ , $V_{EN} = 0.8\text{ V}$ , All unused inputs = $+10\text{ V}$ , $V_D = +10\text{ V}$				
Leakage current into the drain terminal of an "OFF" switch	$I_{D(OFF)}$	$V_D = +10\text{ V}$ , $V_{EN} = 0.8\text{ V}$ , All unused inputs = $-10\text{ V}$	1, 2	-250	250	nA
	$-I_{D(OFF)}$	$V_D = -10\text{ V}$ , $V_{EN} = 0.8\text{ V}$ , All unused inputs = $+10\text{ V}$				
Leakage current from an "ON" driver into the switch (drain)	$I_{D(ON)}$	$V_S = +10\text{ V}$ , $V_D = +10\text{ V}$ , All unused inputs = $-10\text{ V}$	1, 2, 3	-250	250	nA
		$V_S = -10\text{ V}$ , $V_D = -10\text{ V}$ , All unused inputs = $+10\text{ V}$				
Overvoltage protected, leakage current into the drain terminal of an "OFF" switch	$I_{D(OFF)}$ (over- voltage)	$V_S = +25\text{ V}$ , $V_D = 0\text{ V}$ , $V_{EN} = 0.8\text{ V}$	1, 3	-2.0	2.0	$\mu\text{A}$
			2	-5.0	5.0	
		$V_S = -25\text{ V}$ , $V_D = 0\text{ V}$ , $V_{EN} = 0.8\text{ V}$	1, 3	-2.0	2.0	
			2	-5.0	5.0	
Positive supply current	$I(+)$	$V_A = 5.0\text{ V}$	1, 2, 3		2.0	mA

See footnotes at end of table.

<b>STANDARDIZED MILITARY DRAWING DEFENSE ELECTRONICS SUPPLY CENTER DAYTON, OHIO 45444</b>	<b>SIZE A</b>		<b>77052</b>
		<b>REVISION LEVEL G</b>	<b>SHEET 10</b>

DESC FORM 193A  
JUL 91

9004708 0000764 TT8

TABLE I. Electrical performance characteristics - Continued.  
(Device type 03)

Test	Symbol	Conditions ( $V_- = -15\text{ V}$ , $V_+ = +15\text{ V}$ , $V_{EN} = 2.4\text{ V}$ ) $-55^\circ\text{C} \leq T_A \leq +125^\circ\text{C}$ unless otherwise specified	Group A subgroups	Limits		Unit
				Min	Max	
Negative supply current	$I_{(-)}$	$V_A = 5.0\text{ V}$	1, 2, 3		-1.4	mA
Standby positive supply current	$+I_{SBY}$	$V_A = 0\text{ V}$ , $V_{EN} = 0.8\text{ V}$	1, 2, 3		2.0	mA
Standby negative supply current	$-I_{SBY}$	$V_A = 0\text{ V}$ , $V_{EN} = 0.8\text{ V}$	1, 2, 3		-1.0	mA
Switch "ON" resistance	$R_{DS1}$	$V_S = +10\text{ V}$ , $I_D = 100\ \mu\text{A}$	1, 3		1500	$\Omega$
			2		1800	
		$V_S = -10\text{ V}$ , $I_D = -100\ \mu\text{A}$	1, 3		1500	$\Omega$
			2		1800	
Switch "ON" resistance	$R_{DS2}$	$V_+ = +10\text{ V}$ , $V_- = -10\text{ V}$ , $V_S = +5\text{ V}$ , $I_D = 100\ \mu\text{A}$	1, 2, 3		2200	$\Omega$
		$V_+ = +10\text{ V}$ , $V_- = -10\text{ V}$ , $V_S = -5\text{ V}$ , $I_D = -100\ \mu\text{A}$				
Capacitance: Address	$C_A$	$V_+ = V_- = 0\text{ V}$ , $f = 1\text{ MHz}$ , $T_A = +25^\circ\text{C}$	4		10	pF
Capacitance: Output switch	$C_{OS}$	$V_+ = V_- = 0\text{ V}$ , $f = 1\text{ MHz}$ , $T_A = +25^\circ\text{C}$			45	
Capacitance: Input switch	$C_{IS}$	$V_+ = V_- = 0\text{ V}$ , $f = 1\text{ MHz}$ , $T_A = +25^\circ\text{C}$	4		10	pF
Charge transfer error	$V_{CTE}$	$V_S = \text{GND}$ , $V_{GEN} = 0\text{ V to } 5\text{ V}$ , $T_A = +25^\circ\text{C}$	4		10	mV

See footnotes at end of table.

<b>STANDARDIZED MILITARY DRAWING DEFENSE ELECTRONICS SUPPLY CENTER DAYTON, OHIO 45444</b>	<b>SIZE A</b>		77052
		REVISION LEVEL G	SHEET 11

DESC FORM 193A  
JUL 91

9004708 0000765 934

TABLE I. Electrical performance characteristics - Continued.  
(Device type 03)

Test	Symbol	Conditions <sup>1/</sup> (V- = -15 V, V+ = +15 V, V <sub>EN</sub> = 2.4 V) -55°C ≤ T <sub>A</sub> ≤ +125°C unless otherwise specified	Group A subgroups	Limits		Unit
				Min	Max	
Single channel isolation	V <sub>ISO</sub>	V <sub>GEN</sub> = 1 V <sub>p-p</sub> , f = 200 kHz, <sup>3/</sup> T <sub>A</sub> = +25°C	4	50		dB
Crosstalk between channels	V <sub>CT</sub>	V <sub>GEN</sub> = 1 V <sub>p-p</sub> , f = 200 kHz, <sup>3/</sup> T <sub>A</sub> = +25°C		50		
Break-before- make time delay	t <sub>D</sub>	T <sub>A</sub> = +25°C <sup>3/</sup> See figure 3	9	5		ns
Propagation delay times:	t <sub>ON(A)</sub>	R <sub>L</sub> = 10 kΩ, <sup>3/</sup> C <sub>L</sub> = 100 pF,	9		1000	ns
Address inputs to I/O channels	t <sub>OFF(A)</sub>	See figures 4 and 5	10, 11		1500	
Enable to I/O	t <sub>ON(EN)</sub>	R <sub>L</sub> = 1 kΩ, <sup>3/</sup> C <sub>L</sub> = 100 pF,	9		1000	
	t <sub>OFF(EN)</sub>	See figures 4 and 5	10, 11		1500	

<sup>1/</sup> Unless otherwise specified, V+ = +15 V and V- = -15 V.

<sup>2/</sup> Input current of one input node.

<sup>3/</sup> Guaranteed, if not tested, to the limits specified.

<b>STANDARDIZED MILITARY DRAWING DEFENSE ELECTRONICS SUPPLY CENTER DAYTON, OHIO 45444</b>	<b>SIZE A</b>		<b>77052</b>
		<b>REVISION LEVEL G</b>	<b>SHEET 12</b>

DESC FORM 193A  
JUL 91

9004708 0000766 870

Case outline	E	F	2
Device type	01,02,03,04	01,04	01,02,03
Terminal number	Terminal symbol		
1	A0	A0	NC
2	ENABLE	ENABLE	A0
3	V-	V-	ENABLE
4	IN 1	IN 1	V-
5	IN 2	IN 2	IN 1
6	IN 3	IN 3	NC
7	IN 4	IN 4	IN 2
8	OUT	OUT	IN 3
9	IN 8	IN 8	IN 4
10	IN 7	IN 7	OUT
11	IN 6	IN 6	NC
12	IN 5	IN 5	IN 8
13	V+	V+	IN 7
14	GND	GND	IN 6
15	A2	A2	IN 5
16	A1	A1	NC
17	---	---	V+
18	---	---	GND
19	---	---	A2
20	---	---	A1

FIGURE 1. Terminal connections.

Device types 01, 02, and 03

A2	A1	A0	EN	Channel selected
X	X	X	L	None
L	L	L	H	1
L	L	H	H	2
L	H	L	H	3
L	H	H	H	4
H	L	L	H	5
H	L	H	H	6
H	H	L	H	7
H	H	H	H	8

FIGURE 2. Truth table.

STANDARDIZED MILITARY DRAWING DEFENSE ELECTRONICS SUPPLY CENTER DAYTON, OHIO 45444	SIZE A		77052
		REVISION LEVEL G	SHEET 13

DESC FORM 193A  
 JUL 91

9004708 0000767 707

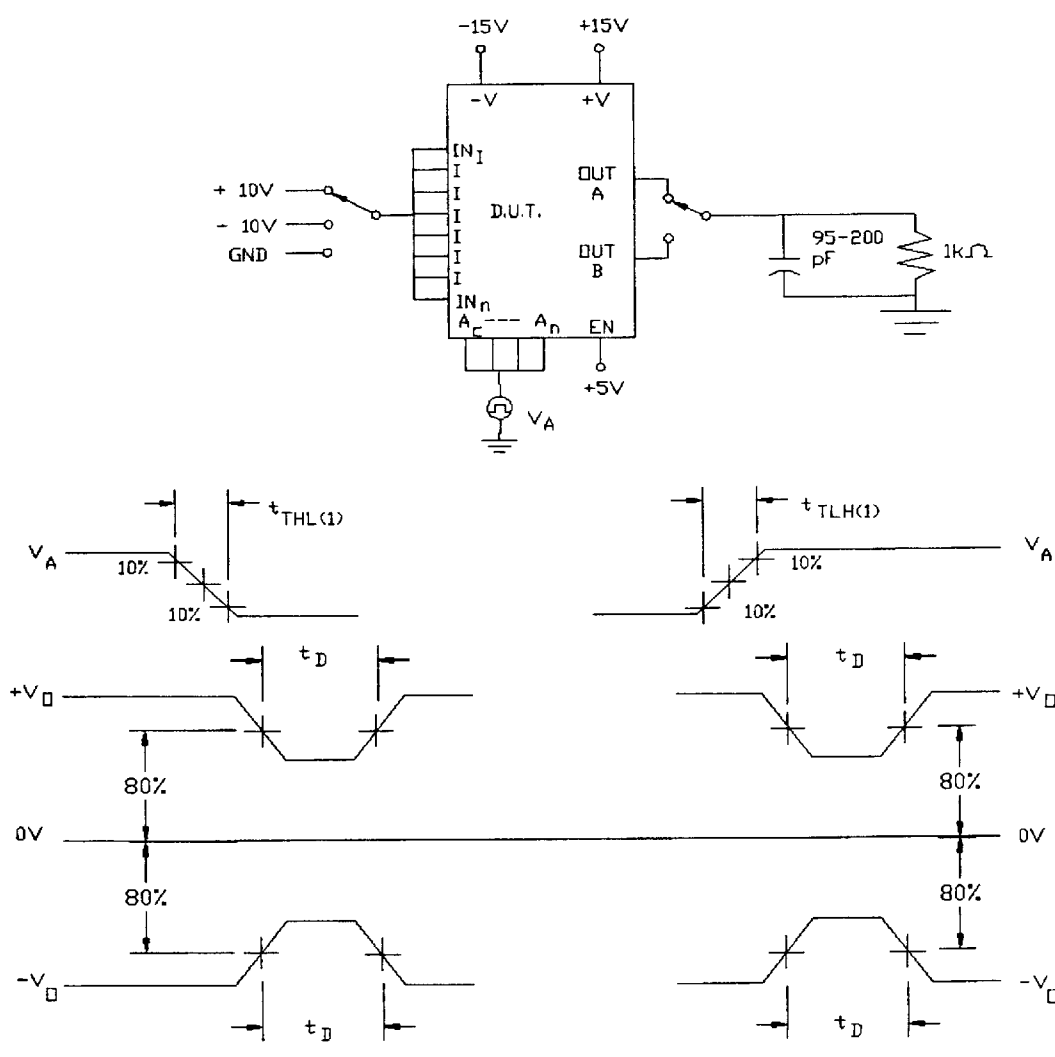


FIGURE 3. Break before make test circuit and waveforms.

STANDARDIZED MILITARY DRAWING DEFENSE ELECTRONICS SUPPLY CENTER DAYTON, OHIO 45444	SIZE <b>A</b>		77052
		REVISION LEVEL <b>G</b>	SHEET 14

DESC FORM 193A  
 JUL 91

9004708 0000768 643

Address inputs to I/O

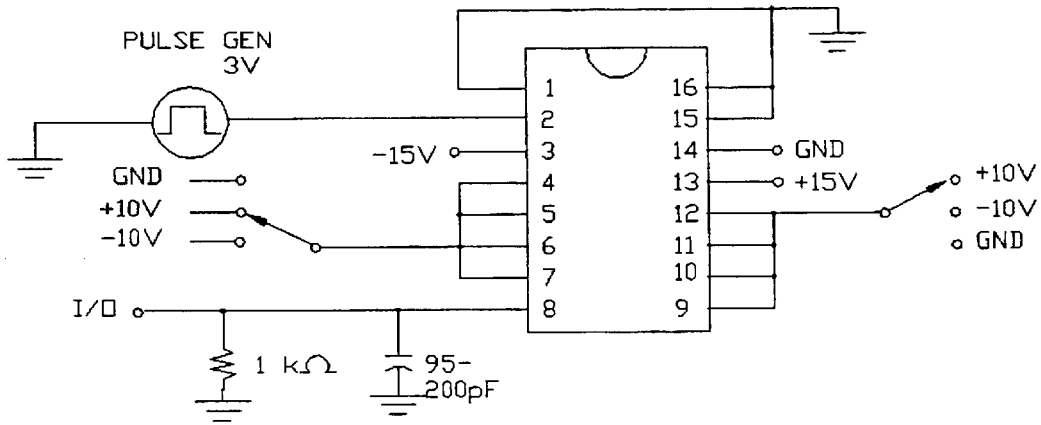
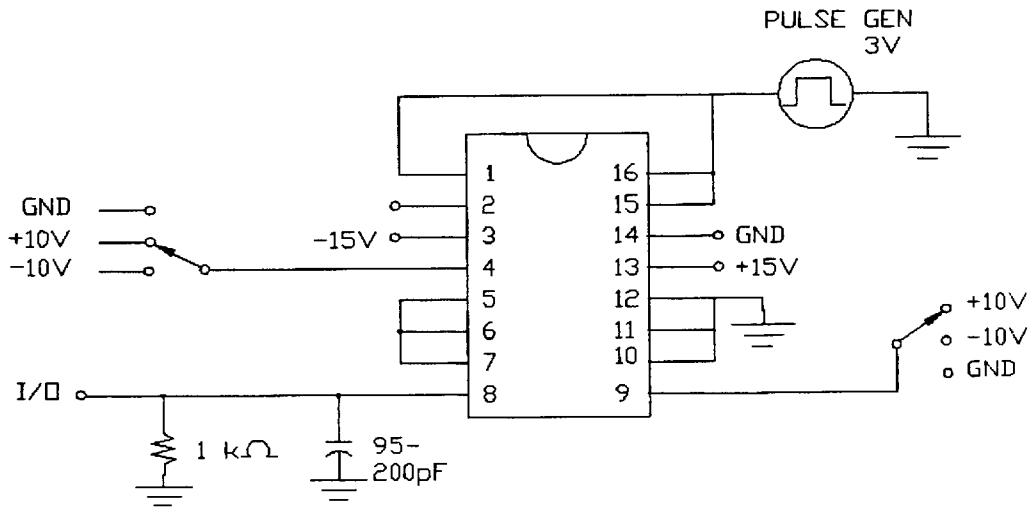
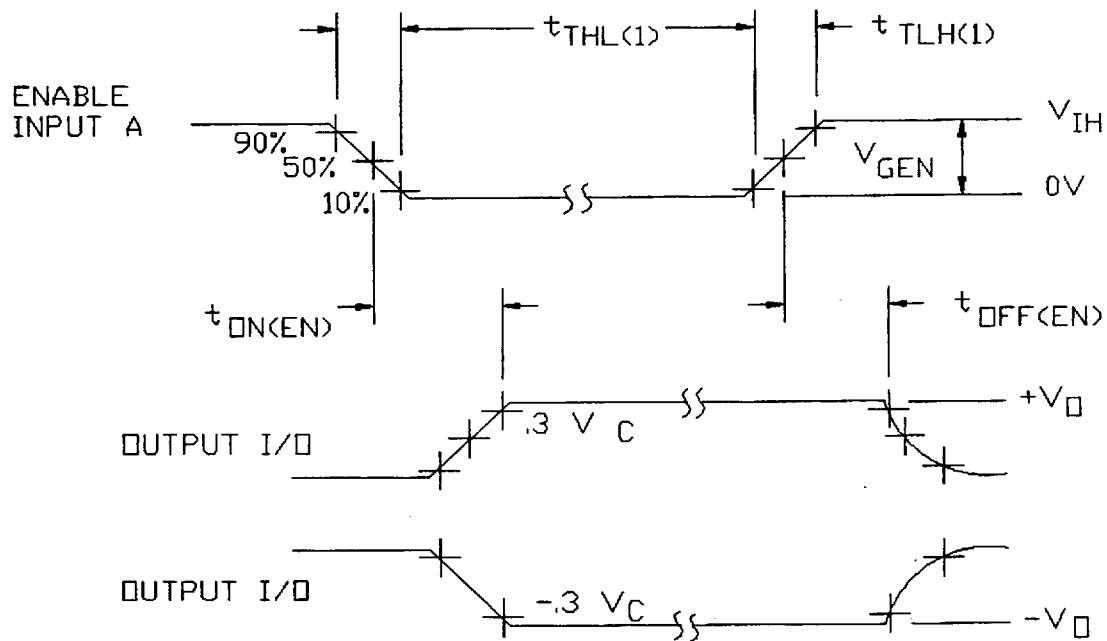


FIGURE 4. Switching time and test circuit.

STANDARDIZED MILITARY DRAWING DEFENSE ELECTRONICS SUPPLY CENTER DAYTON, OHIO 45444	SIZE <b>A</b>		77052
		REVISION LEVEL <b>G</b>	SHEET 15

DESC FORM 193A  
 JUL 91

9004708 0000769 58T



NOTE:  
 Input pulse requirements:  
 $V_{GEN} = 3\text{ V}$   
 $t_{THL(1)} = t_{TLH(1)} \leq 20\text{ ns.}$

FIGURE 5. Switching time and waveforms.

STANDARDIZED MILITARY DRAWING DEFENSE ELECTRONICS SUPPLY CENTER DAYTON, OHIO 45444	SIZE <b>A</b>		77052
		REVISION LEVEL <b>G</b>	SHEET <b>16</b>

DESC FORM 193A  
 JUL 91

■ 9004708 0000770 2T1 ■



4.2 Screening. Screening shall be in accordance with method 5004 of MIL-STD-883, and shall be conducted on all devices prior to quality conformance inspection. The following additional criteria shall apply:

a. Burn-in test, method 1015 of MIL-STD-883.

(1) Test condition A, B, C, or D. The test circuit shall be maintained by the manufacturer under document revision level control and shall be made available to the preparing or acquiring activity upon request. The test circuit shall specify the inputs, outputs, biases, and power dissipation, as applicable, in accordance with the intent specified in test method 1015 of MIL-STD-883.

(2)  $T_A = +125^\circ\text{C}$ , minimum.

b. Interim and final electrical test parameters shall be as specified in table II herein, except interim electrical parameter tests prior to burn-in are optional at the discretion of the manufacturer.

4.3 Quality conformance inspection. Quality conformance inspection shall be in accordance with method 5005 of MIL-STD-883 including groups A, B, C, and D inspections. The following additional criteria shall apply.

4.3.1 Group A inspection.

a. Tests shall be as specified in table II herein.

b. Subgroups 5, 6, 7, and 8 in table I, method 5005 of MIL-STD-883 shall be omitted.

c. Subgroup 4 (capacitance measurements) shall be measured only for the initial test and after process or design changes which may affect capacitance.

4.3.2 Groups C and D inspections.

a. End-point electrical parameters shall be as specified in table II herein.

b. Steady-state life test conditions, method 1005 of MIL-STD-883:

(1) Test condition A, B, C, or D. The test circuit shall be maintained by the manufacturer under document revision level control and shall be made available to the preparing or acquiring activity upon request. The test circuit shall specify the inputs, outputs, biases, and power dissipation, as applicable, in accordance with the intent specified in test method 1015 of MIL-STD-883.

(2)  $T_A = +125^\circ\text{C}$ , minimum.

(3) Test duration: 1,000 hours, except as permitted by method 1005 of MIL-STD-883.

TABLE II. Electrical test requirements.

MIL-STD-883 test requirements	Subgroups (in accordance with method 5005, table I)
Interim electrical parameters (method 5004)	1
Final electrical test parameters (method 5004)	1*, 2, 3, 4, 9
Group A test requirements (method 5005)	1, 2, 3, 4, 9, 10**, 11**
Groups C and D end-point electrical parameters (method 5005)	1

\* PDA applies to subgroup 1.

\*\* Subgroups 10 and 11, if not tested, shall be guaranteed to the specified limits in table I.

<b>STANDARDIZED MILITARY DRAWING DEFENSE ELECTRONICS SUPPLY CENTER DAYTON, OHIO 45444</b>	<b>SIZE A</b>		<b>77052</b>
		<b>REVISION LEVEL G</b>	<b>SHEET 17</b>

DESC FORM 193A  
JUL 91

9004708 0000771 138

5. PACKAGING

5.1 Packaging requirements. The requirements for packaging shall be in accordance with MIL-STD-883 (see 3.1 herein).

6. NOTES

6.1 Intended use. Microcircuits conforming to this drawing are intended for use for Government microcircuit applications (original equipment), design applications, and logistics purposes.

6.2 Replaceability. Replaceability is determined as follows:

- a. Microcircuits covered by this drawing will replace the same generic device covered by a contractor-prepared specification or drawing.
- b. When a QPL source is established, the part numbered device specified in this drawing will be replaced by the microcircuit identified as part number M38510/1900XB\*X.

6.3 Configuration control of SMD's. All proposed changes to existing SMD's will be coordinated with the users of record for the individual documents. This coordination will be accomplished in accordance with MIL-STD-973 using DD Form 1692, Engineering Change Proposal.

6.4 Record of users. Military and industrial users shall inform Defense Electronics Supply Center when a system application requires configuration control and the applicable SMD. DESC will maintain a record of users and this list will be used for coordination and distribution of changes to the drawings. Users of drawings covering microelectronics devices (FSC 5962) should contact DESC-EC, telephone (513) 296-6047.

6.5 Comments. Comments on this drawing should be directed to DESC-EC, Dayton, OH 45444, or telephone (513) 296-5377.

6.6 Approved sources of supply. Approved sources of supply are listed in MIL-BUL-103. The vendors listed in MIL-BUL-103 have agreed to this drawing and a certificate of compliance (see 3.6 herein) has been submitted to and accepted by DESC-EC.

STANDARDIZED MILITARY DRAWING DEFENSE ELECTRONICS SUPPLY CENTER DAYTON, OHIO 45444	SIZE A		77052
		REVISION LEVEL G	SHEET 18

DESC FORM 193A  
JUL 91