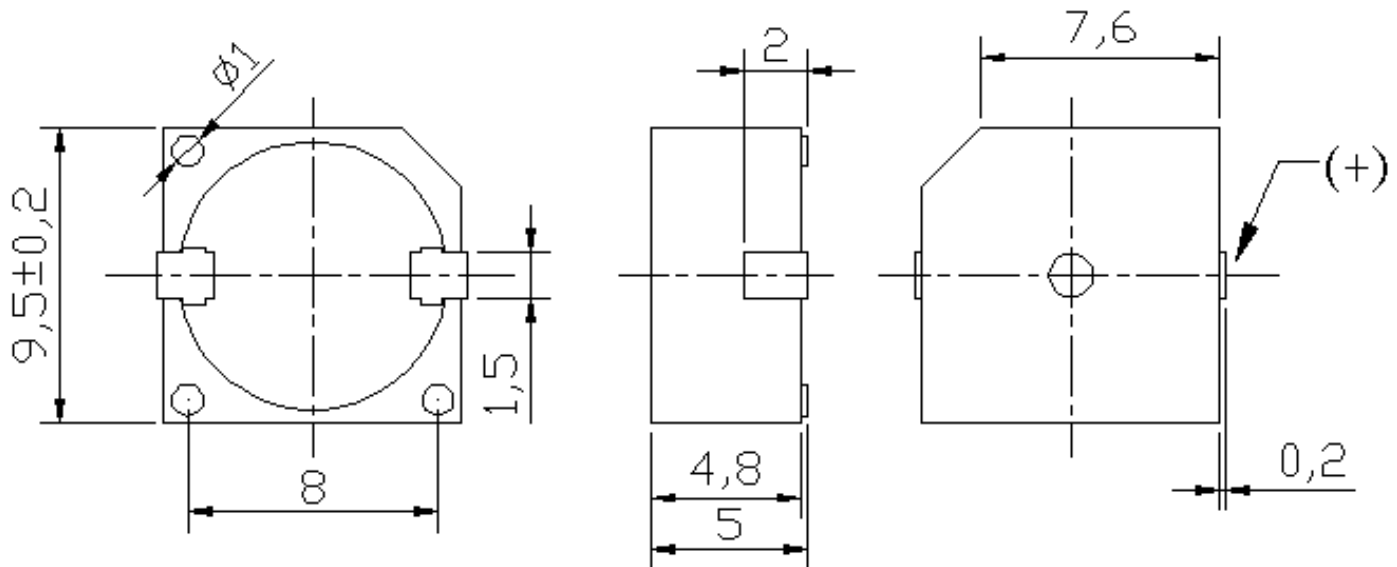


Sales Outline DrawingRevision **B****Specifications:**

Oscillation Frequency (Hz)	2700 ± 300
Operating Voltage (Vdc)	3.0 ~ 7.0
Rated Voltage (Vdc)	5.0
Current Consumption Max. (mA)	30 at Rated Voltage
Sound Pressure Level (dB/min)	80 at 10cm at Rated Voltage
Tone/Pulse Rate	Constant
Operating Temperature (°C)	-20 ~ +70
Storage Temperature (°C)	-30 ~ +80
Lead Pin	SMD
Housing	PPS Plastic Resin (Black)
Weight (Grams)	2.5
Options	For other options contact factory

Dimensions: (units: mm)**ROHS Compliant****Packaging:**

Parts are supplied on reels (600pcs per tape and reel).

Units do not come with wash label and are not appropriate for aqueous wash.

Mouser Electronics

Authorized Distributor

Click to View Pricing, Inventory, Delivery & Lifecycle Information:

[Mallory Sonalert:](#)

[ASI09N27M-05TRQ](#)