

Power Transformers

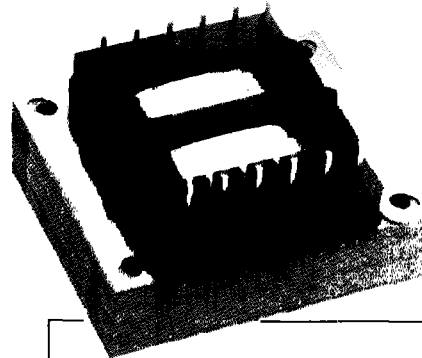


INTERNATIONAL SERIES POWER TRANSFORMERS

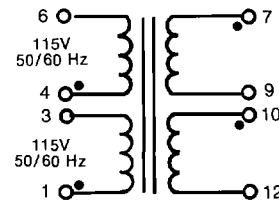
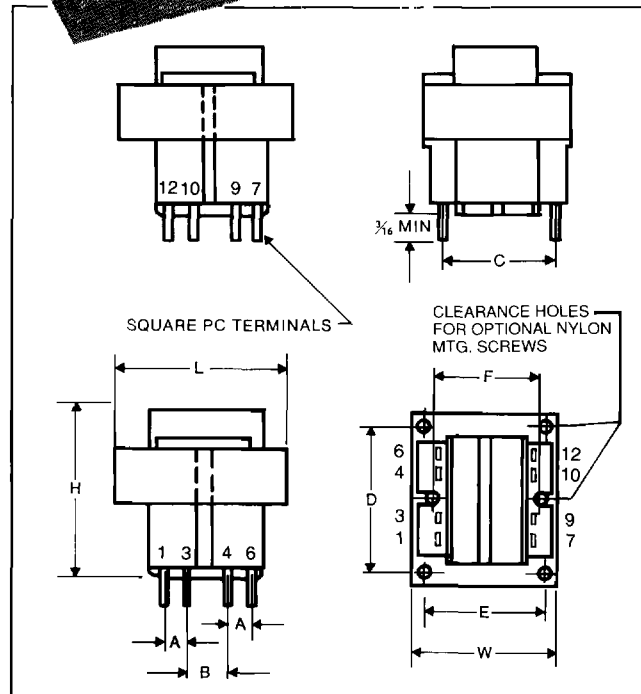
UL, VDE, IEC and CSA certified.

In addition to being certified to VDE 0806, IEC 380, CSA 22.2 No. 66 and UL506, the EWC series of International Transformers is designed and built to meet most other international safety standards.

These transformers are available in both PC and chassis-mount construction. With power ratings of 2.5VA to 175VA, these transformers are built on dual-bobbins with insulating shrouds to provide 4000V RMS isolation between primary and secondary. The non-concentric construction reduces primary to secondary capacitance and eliminates the need for an electrostatic shield.



PART NO. PC MOUNT	VA (SIZE)	SECONDARY RMS RATING	
		SERIES	PARALLEL
14A-2.5-10B1	2.5	10V C.T. @0.25A	5V @0.5A
14A-5.0-10B2	5.0	10V C.T. @0.5A	5V @1.0A
14A-10-10B3	10.0	10V C.T. @1.0A	5V @2.0A
14A-20-10B4	20.0	10V C.T. @2.0A	5V @4.0A
14A-30-10B5	30.0	10V C.T. @3.0A	5V @6.0A
14A-56-10B6	56.0	10V C.T. @5.6A	5V @11.2A
14A-2.5-12B7	2.5	12.6V C.T. @0.2A	6.3V @0.4A
14A-5.0-12B8	5.0	12.6V C.T. @0.4A	6.3V @0.8A
14A-10-12B9	10.0	12.6V C.T. @0.8A	6.3V @1.6A
14A-20-12B10	20.0	12.6V C.T. @1.6A	6.3V @3.2A
14A-30-12B11	30.0	12.6V C.T. @2.4A	6.3V @4.8A
14A-56-12B12	56.0	12.6V C.T. @4.4A	6.3V @8.8A
14A-2.5-16B13	2.5	16V C.T. @0.15A	8V @0.3A
14A-5.0-16B14	5.0	16V C.T. @0.31A	8V @0.62A
14A-10-16B15	10.0	16V C.T. @0.62A	8V @1.25A
14A-20-16B16	20.0	16V C.T. @1.25A	8V @2.5A
14A-30-16B17	30.0	16V C.T. @1.9A	8V @3.8A
14A-56-16B18	56.0	16V C.T. @3.5A	8V @7.0A
14A-2.5-20B19	2.5	20V C.T. @0.12A	10V @0.24A
14A-5.0-20B20	5.0	20V C.T. @0.25A	10V @0.5A
14A-10-20B21	10.0	20V C.T. @0.5A	10V @1.0A
14A-20-20B22	20.0	20V C.T. @1.0A	10V @2.0A
14A-30-20B23	30.0	20V C.T. @1.5A	10V @3.0A
14A-56-20B24	56.0	20V C.T. @2.8A	10V @5.6A
14A-2.5-24B25	2.5	24V C.T. @0.1A	12V @0.2A
14A-5.0-24B26	5.0	24V C.T. @0.21A	12V @0.42A
14A-10-24B27	10.0	24V C.T. @0.42A	12V @0.84A
14A-20-24B28	20.0	24V C.T. @0.83A	12V @1.66A
14A-30-24B29	30.0	24V C.T. @1.25A	12V @2.5A
14A-56-24B30	56.0	24V C.T. @2.33A	12V @4.66A
14A-2.5-28B31	2.5	28V C.T. @0.09A	14V @0.18A
14A-5.0-28B32	5.0	28V C.T. @0.18A	14V @0.36A
14A-10-28B33	10.0	28V C.T. @0.36A	14V @0.72A
14A-20-28B34	20.0	28V C.T. @0.72A	14V @1.44A
14A-30-28B35	30.0	28V C.T. @1.06A	14V @2.12A
14A-56-28B36	56.0	28V C.T. @2.0A	14V @4.0A
14A-2.5-36B37	2.5	36V C.T. @0.07A	18V @0.14A
14A-5.0-36B38	5.0	36V C.T. @0.14A	18V @0.28A
14A-10-36B39	10.0	36V C.T. @0.28A	18V @0.56A
14A-20-36B40	20.0	36V C.T. @0.56A	18V @1.12A
14A-30-36B41	30.0	36V C.T. @0.82A	18V @1.64A
14A-56-36B42	56.0	36V C.T. @1.56A	18V @3.12A



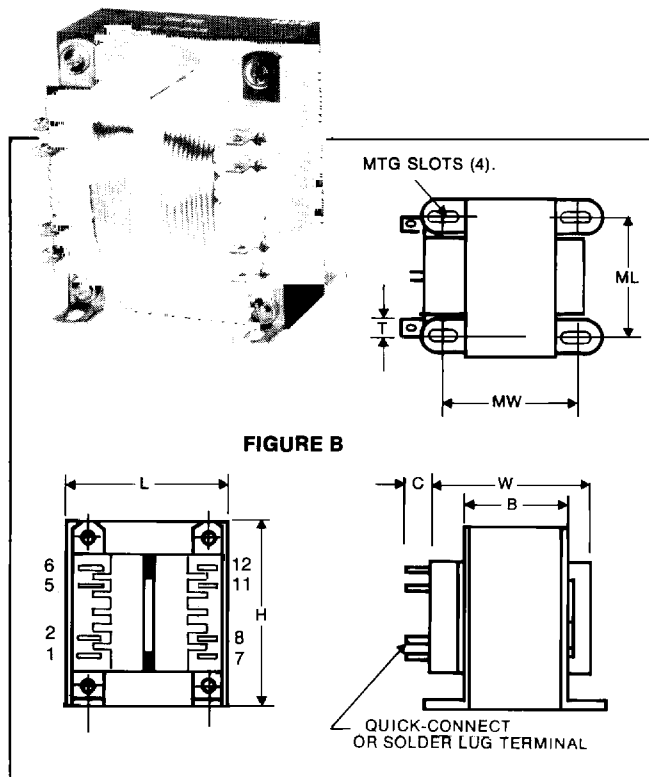
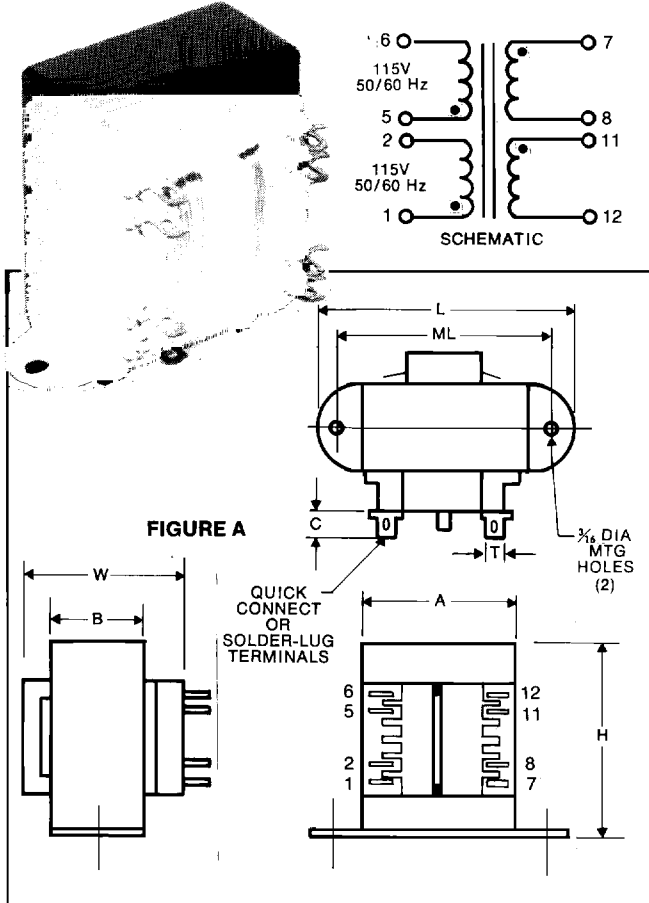
MECHANICAL DIMENSIONS

VA	WT.	L	W	H	A	B
2.5	0.25	1.625	1.312	1.125	.200	.250
5.0	0.37	1.625	1.312	1.375	.200	.400
10.0	0.53	1.875	1.562	1.375	.200	.400
20.0	0.90	2.250	1.875	1.625	.400	.400
30.0	1.15	2.625	2.187	1.562	.275	.550
56.0	1.70	3.000	2.500	1.812	.300	.600

VA	C	D	E	F	PIN DIM	MTG
2.5	1.000	-	-	1.062	.025 SQ	#4
5.0	1.000	-	-	1.062	.025 SQ	#4
10.0	1.140	-	-	1.250	.038 SQ	#4
20.0	1.460	-	-	1.500	.038 SQ	#4
30.0	1.680	2.18	1.75	-	.045 SQ	#6
56.0	1.900	2.50	2	-	.045 SQ	#6



385 HIGHWAY 33, ENGLISHTOWN, NJ 07726
908/446-3110 FAX 908/446-5362



INTERNATIONAL SERIES POWER TRANSFORMERS

UL, VDE, IEC and CSA certified.

PART NO. CHASSIS MOUNT	(SIZE) VA	SECONDARY RMS RATING	
		SERIES	PARALLEL
A41-25-10A1	25	10V C.T. @2.5A	5V @5.0A
A41-43-10A2	43	10V C.T. @4.3A	5V @8.6A
A41-80-10A3	80	10V C.T. @8.0A	5V @16.0A
A41-130-10A4	130	10V C.T. @13.0A	5V @26.0A
A41-175-10A5	175	10V C.T. @17.5A	5V @35.0A
A41-25-12A7	25	12.6V C.T. @2.0A	6.3V @4.0A
A41-43-12A8	43	12.6V C.T. @3.4A	6.3V @6.8A
A41-80-12A9	80	12.6V C.T. @6.3A	6.3V @12.6A
A41-130-12A10	130	12.6V C.T. @10.3A	6.3V @20.6A
A41-175-12A11	175	12.6V C.T. @14.0A	6.3V @28.0A
A41-25-16A13	25	16V C.T. @1.6A	8V @3.2A
A41-43-16A14	43	16V C.T. @2.7A	8V @5.4A
A41-80-16A15	80	16V C.T. @5.0A	8V @10.0A
A41-130-16A16	130	16V C.T. @8.1A	8V @16.2A
A41-175-16A17	175	16V C.T. @11.0A	8V @22.0A
A41-25-20A19	25	20V C.T. @1.25A	10V @2.5A
A41-43-20A20	43	20V C.T. @2.2A	10V @4.4A
A41-80-20A21	80	20V C.T. @4.0A	10V @8.0A
A41-130-20A22	130	20V C.T. @6.5A	10V @13.0A
A41-175-20A23	175	20V C.T. @8.8A	10V @17.6A
A41-25-24A25	25	24V C.T. @1A	12V @2A
A41-43-24A26	43	24V C.T. @1.8A	12V @3.6A
A41-80-24A27	80	24V C.T. @3.3A	12V @6.6A
A41-130-24A28	130	24V C.T. @5.4A	12V @10.8A
A41-175-24A29	175	24V C.T. @7.3A	12V @14.6A
A41-25-28A31	25	28V C.T. @0.9A	14V @1.86A
A41-43-28A32	43	28V C.T. @1.5A	14V @3.0A
A41-80-28A33	80	28V C.T. @2.8A	14V @5.6A
A41-130-28A34	130	28V C.T. @4.6A	14V @9.2A
A41-175-28A35	175	28V C.T. @6.25A	14V @12.5A
A41-25-36A37	25	36V C.T. @0.7A	18V @1.4A
A41-43-36A38	43	36V C.T. @1.2A	18V @2.4A
A41-80-36A39	80	36V C.T. @2.2A	18V @4.4A
A41-130-36A40	130	36V C.T. @3.6A	18V @7.2A
A41-175-36A41	175	36V C.T. @4.8A	18V @9.6A
A41-25-230A42	25	230V C.T. @0.11A	115V @0.22A
A41-43-230A43	43	230V C.T. @0.19A	115V @0.38A
A41-80-230A44	80	230V C.T. @0.35A	115V @0.7A
A41-130-230A45	130	230V C.T. @0.57A	115V @1.14A
A41-175-230A46	175	230V C.T. @0.76A	115V @1.52A

MECHANICAL DIMENSIONS

VA	WT.	L	W	H	A	B
25	1.25	2.812	1.875	2.312	2.000	1.125
43	1.6	3.125	2.062	2.687	2.250	1.125
80	2.8	2.500	2.375	3.000	—	1.375
130	4.1	2.812	2.875	3.375	—	1.625
175	5.2	3.125	2.875	3.750	—	1.625

VA	C	T	ML	MW	MTG	FIG.
25	.312	.187	2.375	—	#6	A
43	.312	.187	2.812	—	#6	A
80	.312	.187	2.000	2.18	#6	B
130	.375	0.25	2.250	2.50	#8	B
175	.375	0.25	2.500	2.50	#8	B