

Amphenol® GT Connectors

how to order, connector intermateability

Part Number System								
GT	C	00	A	FF	36-5	P	W	(014)
1	2	3	4	5	6	7	8	

1. Contact Style and Insert Material

- C = Crimp
 - CN = Crimp with stainless steel
 - S = Solder
 - SN = Solder with stainless steel
 - CY = Crimp with Viton
 - SY = Solder with Viton
 - CL = Crimp with low smoke/flame retardant inserts
 - SL = Solder with low smoke/flame retardant inserts
- No designation required for Neoprene components

2. Shell Style

- 00 - Wall mount receptacle
- 01 - Inline receptacle
- 02 - Box mount receptacle
- 020 - Box mount receptacle with accessory threads
- 030 - Square flange receptacle - rear panel mount
- 05 - Dummy receptacle
- 06 - Straight plug
- 062 - Straight plug with deep serrated coupling nut*
- 064 - Panel mounted plug with heavy duty coupling nut
- 065 - Straight plug with long heavy duty coupling nut
- 07 - Jam nut receptacle - rear panel mount
- 070 - Jam nut receptacle with accessory threads
- 08 - 90° angle plug
- TB - Thru-bulkhead

3. Connector Class - For details, see pages 29-78

- A - Adapter for accessory attachment, non-environmental
- AF - Adapter, clamp for individual wires, non-environmental
- CF - Adapter, jacketed cable clamp, environmental
- CFGG - Adapter, jacketed cable clamp, over molded coupling nut, environmental
- CFZ - Adapter, jacketed cable clamp, individual wire sealing grommet, environmental
- F - Adapter, clamp for individual wires, individual wire sealing grommet, environmental.
- G - Adapter for heat shrink tubing, individual wire sealing grommet, environmental
- G2 - Free turning adapter for heat shrink tubing, individual wire sealing grommet, environmental
- GTTB - Thru bulkhead receptacle, accepts mating plug on both sides
- LC - Long adapter, backshell with jacketed cable basket weave grip, with individual wire sealing grommet, environmental
- LCF - Long adapter, jacketed cable clamp, environmental
- LCFZ - Long adapter, jacketed cable clamp, individual wire sealing grommet, environmental
- LT - Adapter, backshell for terminating metallic core conduit
- PFC - Adapter, backshell for plastic corrugated conduit, individual wire sealing grommet, environmental
- PG - Long adapter with PG threads, individual wire sealing grommet, environmental
- PP - Panel mounted plug
- R - Adapter for accessory attachment, individual wire sealing grommet, environmental

- R - (02/03) No thread, no accessories, environmental with panel sealing gasket
- R - (020) No accessories, environmental with panel sealing gasket
- RFS - (02) No accessories, countersunk mounting holes for use with over molded coupling nut, environmental with panel sealing gasket
- RFSM - (020) No accessories, countersunk mounting holes for use with over molded coupling nut, environmental with panel sealing gasket
- RV - Adapter, individual wire sealing grommet, environmental
- SB - Adapter for termination of EMI/RFI shielded braid with heat shrink tubing or boot, individual wire sealing grommet, environmental
- SBT - Adapter for termination of EMI/RFI shielded braid with heat shrink tubing or boot, individual wire sealing grommet, environmental
- SL - Long adapter, jacketed cable liquid tight strain relief, environmental

4. Designation for Mounting Hole - Receptacle Only

- FF - UN Threads
 - FM - Metric Threads
- No designation for standard through hole mounting holes.

5. Shell Size and Arrangement

See pages 2-4

6. Contact Style

- P designates pin contacts
- S designates socket contacts

7. Alternate Position

- W, X, Y and Z - See page 5.
- No suffix required for normal position.

8. Connector Modification*

- Omit for standard olive drab with silver plated contacts
- i.e.: (014) Olive drab cadmium plate, nickel base
- (B30) gold/nickel plated contacts
- (025) Black zinc cobalt
- (027) Conductive black zinc cobalt
- (024) Green zinc cobalt
- (LC) Less contacts

* Consult Amphenol, Sidney, NY

MATEABILITY WITH IDENTICAL CONTACT ARRANGEMENTS

Connector Style	Mateable with Style
GT00	GT06 / 062 / 064 / 065 / 08
GT01	GT06 / 062 / 064 / 065 / 08
GT02	GT06 / 062 / 064 / 065 / 08
GT020	GT06 / 062 / 064 / 065 / 08
GT030	GT06 / 062 / 064 / 065 / 08
GT06 / 062 / 064 / 065	GT00 / 01 / 02 / 020 / 03 / 030 / 05 / 070 / TB
GT07 / 070	GT06 / 062 / 064 / 065 / 08
GT08	GT00 / 01 / 02 / 020 / 03 / 030 / 05 / 070 / TB
GTTB	GT06 / 062 / 064 / 065 / 08

4

3

2

1

REVISIONS				
ZONE	LTR	DESCRIPTION	DATE	APPROVED
	A	INITIAL RELEASE NUM: 70090-109		
	B	(CLII) SEE ECN 27218	10-22-93 Prescott	Prescott
	C	(CLII) CHANGED FROM: 9-3104-5 TO: 9-9238 ECN: 95259	8/2/04 A.B. Marrisa	J.ES

13	1		10-581819-XXI	SLEEVE	12
12	1		SEE COLUMN	GROMMET	12,10
11	1		10-590986-XX3	ADAPTER	12
10	1		10-748XX-()S	INSERT, SOCKET	4
10	1		10-748XX-()P	INSERT, PIN	4
9		SEE NOTE 8		CONTACT	2,3
8	1		SEE COLUMN	ELBOW ASSEMBLY	3
7	1		10-564869-XX	SLEEVE	
6	1		10-607XX-()	GROMMET	10,13
5	1		10-564859-XX	WASHER, WAVED	
4	1		10-564860-XX	WASHER, SKID	
3	1		10-564843-XX1	GASKET	
2	1		10-564856-XX3	NUT, COUPLING	
1	1		SEE COLUMN	SHELL	

SEE SHEET 3.

NOTES:

COMPANY ID: 2
 CODED/MS/CUST: Y
 INTERNAL: N
 LOTNO: N
 DATE CODE: 9-3895
 SEE PRINT: N

UNLESS OTHERWISE SPECIFIED
 LINEAR DIMENSIONS ARE IN
 INCHES.
 TOLERANCES: .XXX±.010,
 .XX ±.03, .X ±.1,
 ANGLES ±2°.
 OTHER STANDARDS PER 9-3800
 AND DOD-D-1000.
 NOTE REF. =

FIND NO.	QTY REQD.	FSCM NO.	PART NUMBER	DESCRIPTION	NOTE REF.
PARTS LIST					
SPECIFICATIONS		SIGNATURES		DATES	
MATERIAL SPEC. N/A		PREPARED PRESCOTT		2/5/90	
		CHECKED <i>J. Osborne</i>		3/7/90	
		MATERIAL <i>B. S. S. S.</i>		3/7/90	
		APPROVED <i>A. S. S. S.</i>		3/9/90	
PROCESS SPEC. SEE NOTE 5		APPROVED <i>D. M. S. S.</i>		3-9-90	
		1ST PART NO. 71-580420-26P		SIZE C 77820	
				FSCM NO. 71-580410/429	
		SCALE NONE		WT.	
		REF 71-581240/259		SHEET 1 OF 3	

THE USE OF THIS DOCUMENT IS UNLIMITED.
 HOWEVER, DOCUMENTS REFERENCED HEREON
 MAY CONTAIN LIMITED RIGHTS DATA.

N/A
 N/A
 NEXT ASSEMBLY

COMPUTER GENERATED DRAWING.

000000001

01653

TAB.

IMAGED / Dec 20 2004, 02:05 PM

71-580410/429

3/07/90 10:28 * 90066 10:07 * PREL SE * 71-580410/429 A001

4

3

2

1

D

D

C

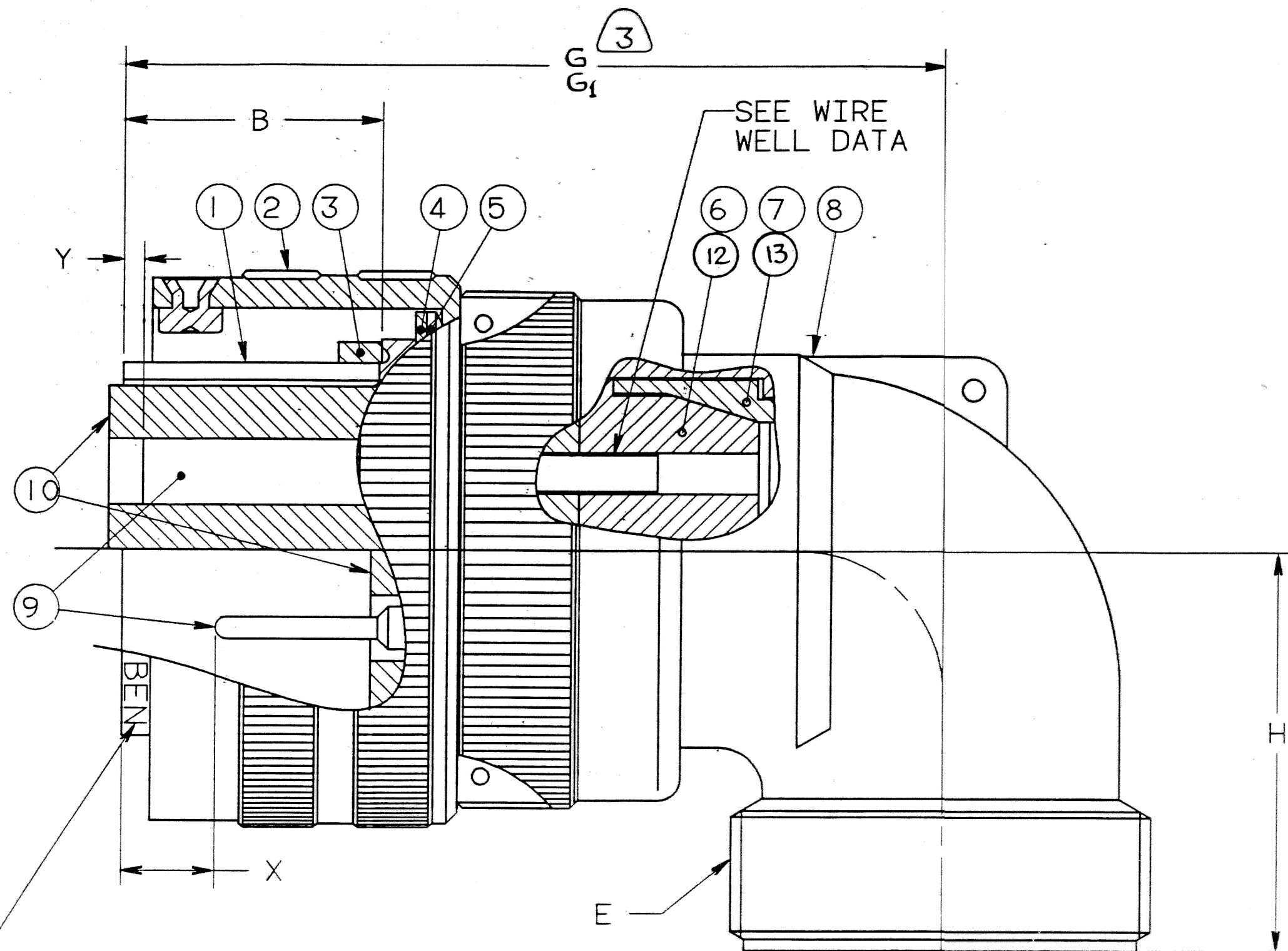
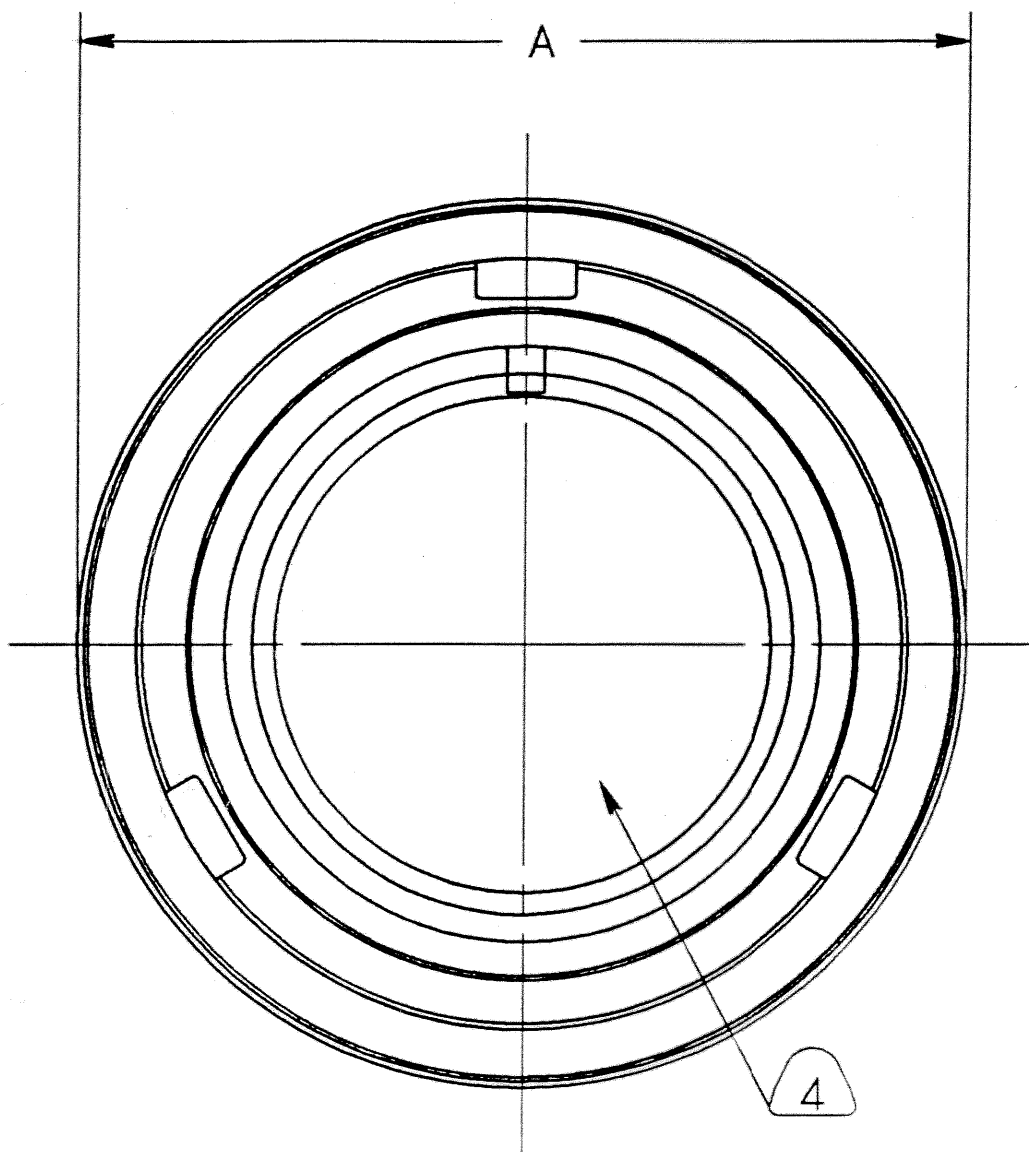
C

B

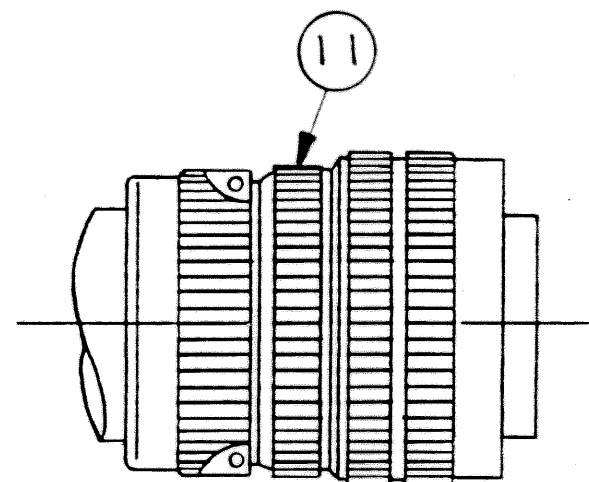
B

A

A



BLACK INK STAMP "BENDIX", GT NUMBER,
 (SEE COLUMN), AND DATE CODE, (9-3895)
 .062-.094 HIGH PER 9-3856-5.
 EXAMPLE:
 BENDIX GTC08R20-3S 9052



VIEW Z
 APPLICABLE ONLY TO
 PATTERNS WITH
 SIZE 4 & 8 CONTACTS

SEE SHEET 3.

NOTES:

THE USE OF THIS DOCUMENT IS UNLIMITED. HOWEVER, DOCUMENTS REFERENCED
 HEREON MAY CONTAIN LIMITED RIGHTS DATA.

SIZE	FSCM NO.	REV.
C	77820	71-580410/429
SCALE	WT.	REF.
		SHEET 2 OF 3

ASSEMBLY NUMBER	SHELL SIZE	GT NUMBER	SHELL	GROMMET	ELBOW ASSEMBLY	A DIA MAX	B ±.005	E THREAD CLASS 2A (PLATED)	G MAX	H MAX	G1 MAX
71-580410-()	8S	NOT AVAILABLE									
71-580411-()	10S	NOT AVAILABLE									
71-580412-()	10SL	GTC08R10SL-()	10-580915-113	10-581825-()	10-580892-113	.897	.531	.6250-24UNEF	1.772	1.181	
71-580413-()	12S	NOT AVAILABLE									
71-580414-()	12	NOT AVAILABLE									
71-580415-()	14S	GTC08R14S-()	10-37266-14	10-581827-()	10-580892-143	1.150	.531	.7500-20UNEF	1.850	1.181	
71-580416-()	14	NOT AVAILABLE									
71-580417-()	16S	GTC08R16S-()	10-37266-16	10-581829-()	10-580892-163	1.300	.531	.8750-20UNEF	1.890	1.181	
71-580418-()	16	GTC08R16-()	10-37266-17	10-581830-()	10-580892-173	1.300	.719	.8750-20UNEF	2.244	1.181	3.056
71-580419-()	18	GTC08R18-()	10-37266-18	10-581831-()	10-580892-183	1.437		1.0000-20UNEF	2.283	1.377	3.095
71-580420-()	20	GTC08R20-()	10-37266-20	10-581832-()	10-580892-203	1.571		1.1875-18UNEF	2.401	1.377	3.213
71-580421-()	22	GTC08R22-()	10-37266-22	10-581833-()	10-580892-223	1.697		1.1875-18UNEF	2.401	1.377	3.415
71-580422-()	24	GTC08R24-()	10-37266-24	10-581834-()	10-580892-243	1.835		1.4375-18UNEF	2.598	1.575	3.232
71-580423-()	28	GTC08R28-()	10-37266-28	10-581835-()	10-580892-283	2.102		1.4375-18UNEF	2.598	1.575	3.692
71-580424-()	32	GTC08R32-()	10-37266-32	10-581836-()	10-580892-323	2.366		1.7500-18UNS	2.835	1.771	3.908
71-580425-()	36	GTC08R36-()	10-37266-36	10-581837-()	10-580892-363	2.610		2.0000-18UNS	2.952	1.968	4.171
71-580426-()	40	GTC08R40-()	10-37266-40	10-581838-()	10-580892-403	2.850		2.2500-16UN	3.071	2.165	4.280
71-580427/429-()		NOT AVAILABLE									

SEE NOTE 10

TO COMPLETE, ADD APPLICABLE INSERT ARRANGEMENT SUFFIX PER 9-2437.

13. INDICATED ITEMS, (F/N'S 6 & 7), ARE APPLICABLE TO CONNECTORS CONTAINING CONTACT ARRANGEMENTS OTHER THAN THOSE SPECIFIED IN NOTE 12.
12. INDICATED ITEMS, (F/N'S 11, 12 & 13), ARE APPLICABLE TO CONNECTORS CONTAINING CONTACT SIZES 4 & 8.
11. INDICATED LENGTH APPLIES TO CONNECTORS WITH CONTACT PATTERNS CONTAINING SZ 4 OR 8 CONTACTS.
10. TO COMPLETE GROMMET PART NO., ADD APPLICABLE ARRANGEMENT SUFFIX.
9. PACKAGE PER PRODUCTION PROCESS SHEET.
8. SEE SEPARATE PARTS LIST FOR COMPONENT PART NUMBERS AND QUANTITIES.
7. FOR MATING CONNECTOR ASSEMBLIES, SEE 71-580960/979 AND OTHERS.
6. SEE WORK ORDER FOR PERMISSIBLE ADDITIONAL OR ALTERNATE STAMPING.
5. PROCESS SPEC:
 ASSY 9-9838
 TEST 9-3106-18
 9-3856-5, 9-3895, 9-2437
4. INSERTS ARE NOT REMOVABLE.
3. DRAWING ILLUSTRATES FINAL ASSEMBLY. FOR STORAGE AND SHIPPING, ELBOW ASSEMBLY MUST BE LOOSELY COUPLED. CONTACTS ARE SHIPPED UNASSEMBLED. FOR FINAL INSTALLATION, CONTACTS MUST BE ASSEMBLED INTO ALL INSERT HOLES. ALL UNUSED GROMMET HOLES MUST BE FILLED WITH THE APPROPRIATE SIZE SEALING PLUG.
2. FOR CONTACT SIZE, SPACING AND SERVICE RATING, SEE MIL-STD-1651 OR L-11908-() THRU L-11948-().
1. UNIT MEETS THE APPLICABLE REQUIREMENTS OF MIL-C-5015.

CONTACT SIZE	SHELL SIZE	X	Y ±.040
16 SHORT	10SL, 14S, 16S	.087±.039	.079
16 LONG	16 THRU 40	.260 ^{+.052} _{-.041}	.102
12	16 THRU 40	.118 ^{+.039} _{-.056}	.102
4, 8, 0	16 THRU 40	.091±.039	.102

WIRE WELL DATA					
CONTACT SIZE	0	4	8	12	16
WELL DIA	.453±.005	.281 ^{+.005} _{-.004}	.179 ^{+.004} _{-.002}	.098 ^{+.004} _{-.001}	.063 ^{+.004} _{-.001}
WELL DEPTH	.592 ^{+.031} _{-.000}	.500	.500	.250	.250

71-580410/429 B

Mouser Electronics

Authorized Distributor

Click to View Pricing, Inventory, Delivery & Lifecycle Information:

Amphenol:

[GTC06F36-5S\(RDS\)\(025\)](#) [GTC06F16-12S\(RDS\)\(025\)](#) [GTC06GGLF18-20S](#) [GTC06F20-19S\(RDS\)\(025\)](#) [GTC06F22-7S\(RDS\)\(025\)](#) [GTC06F22-1S\(RDS\)\(025\)](#) [GTC06F28-6S\(RDS\)\(025\)](#) [GTC06F36-4S\(RDS\)\(025\)](#) [GTC06GGLF18-20SW](#) [GTC06F32-17S\(RDS\)\(025\)](#) [GTC06A2467P](#) [GTC06A2815P](#) [GTC06F22-22P\(025\)](#) [GTC06CF-22-10P](#) [GTC06F2222P](#) [GTC02R-18-11PX](#) [GTC02R40AGS\(027\)](#) [GTC06CF-22-22PX](#) [GTC06G32-1S\(027\)\(RDS\)](#) [GTC06R36-3S\(027\)\(RDS\)](#) [GTC02R22-1S\(RDS\)\(027\)](#) [GTC02R-32-17S\(RDS\)\(027\)](#) [GTC07R32-17S\(027\)\(RDS\)](#) [GTC07R36-5S\(027\)\(RDS\)](#) [GTC02R22-1S\(FT\)\(RDS\)\(027\)](#) [GTC00A24-10S\(RDS\)\(023\)](#) [GTC06G32-1S\(023\)\(RDS\)](#) [GTC07R32-5S\(023\)\(RDS\)](#) [GTC06A40-57S\(023\)\(RDS\)](#) [GTC030A28-84S\(RDS\)\(023\)](#) [GTC06CF40-AVS\(023\)\(RDS\)](#) [GTC00AF24-10S\(RDS\)\(023\)](#) [GTC06CF32-1S\(RDS\)\(G96\)](#) [GTC00A24-10S\(RDS\)\(025\)](#) [GTC06G32-1S\(025\)\(RDS\)](#) [GTC06R32-1S\(RDS\)\(025\)](#) [GTC06F24-10S\(025\)RDS](#) [GTC06AF28-20S\(RDS\)\(025\)](#) [GTC08F20-19S\(RDS\)\(025\)](#) [GTC02R18-10S\(RDS\)\(025\)](#) [GTC02R-36-77S\(RDS\)\(025\)](#) [GTC07R32-1S\(025\)\(RDS\)](#) [GTC06A36-77S\(025\)\(RDS\)](#) [GTC00R28-22S\(025\)\(RDS\)](#) [GTC030FM28-6S\(RDS\)\(025\)](#) [GTC030FM36-77S\(RDS\)\(025\)](#) [GTC00AF-24-10S\(RDS\)\(025\)](#) [GTC06G222-2S\(024\)\(RDS\)](#) [GTC00A20-19S\(RDS\)](#) [GTC00A24-10S\(RDS\)](#) [GTC00A28-6S\(RDS\)](#) [GTC00A32-15S\(RDS\)](#) [GTC06G20-8S\(RDS\)](#) [GTC06R28-84S\(RDS\)](#) [GTC06R32-1S\(RDS\)](#) [GTC06R32-17S\(RDS\)](#) [GTC06R36-3S\(RDS\)](#) [GTC06F22-7S\(RDS\)](#) [GTC06F22-22S\(RDS\)](#) [GTC06F24-22S\(RDS\)](#) [GTC06F28-6S\(RDS\)](#) [GTC06F28-AYS\(RDS\)](#) [GTC06F32-15S\(RDS\)](#) [GTC06F32-17S\(RDS\)](#) [GTC06F36-5S\(RDS\)](#) [GTC06F36-77S\(RDS\)](#) [GTC06F36-97S\(RDS\)](#) [GTC06F40-80S\(RDS\)](#) [GTC06AF22-7S\(RDS\)](#) [GTC08F28-22S\(RDS\)](#) [GTC08F32-1S\(RDS\)](#) [GTC08F32-5S\(RDS\)](#) [GTC08F36-5S\(RDS\)](#) [GTC08F36-6S\(RDS\)](#) [GTC08F36-10S\(RDS\)](#) [GTC02R20-2P\(RDS\)](#) [GTC02R36-3S\(RDS\)](#) [GTC02R36-4S\(RDS\)](#) [GTC02R36-5S\(RDS\)](#) [GTC02R40-9S\(RDS\)](#) [GTC02R40-ADS\(RDS\)](#) [GTC07R20-19S\(RDS\)](#) [GTC07R24-11S\(RDS\)](#) [GTC07R32-1S\(RDS\)](#) [GTC07R32-17S\(RDS\)](#) [GTC06A32-17S\(RDS\)](#) [GTC06A36-4S\(RDS\)](#) [GTC06A36-5S\(RDS\)](#) [GTC06A40-57S\(RDS\)](#) [GTC030F40-10S\(RDS\)](#) [GTC030A32-15S\(RDS\)](#) [GTC00R36-3S\(RDS\)](#) [GTC08A28-22S\(RDS\)](#) [GTC08A32-1S\(RDS\)](#) [GTC08A32-5S\(RDS\)](#) [GTC08A36-6S\(RDS\)](#) [GTC08A36-10S\(RDS\)](#) [GTC06CF20-2S\(RDS\)](#) [GTC06CF24-10S\(RDS\)](#) [GTC06CF32-17S\(RDS\)](#)