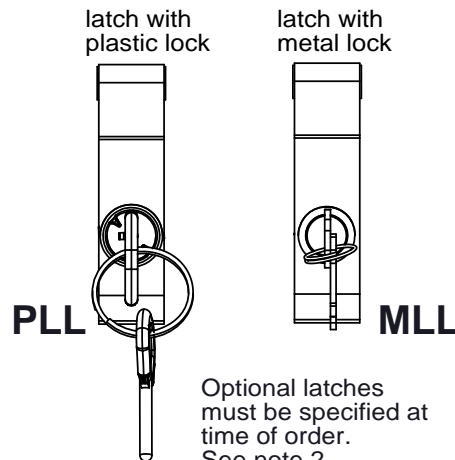
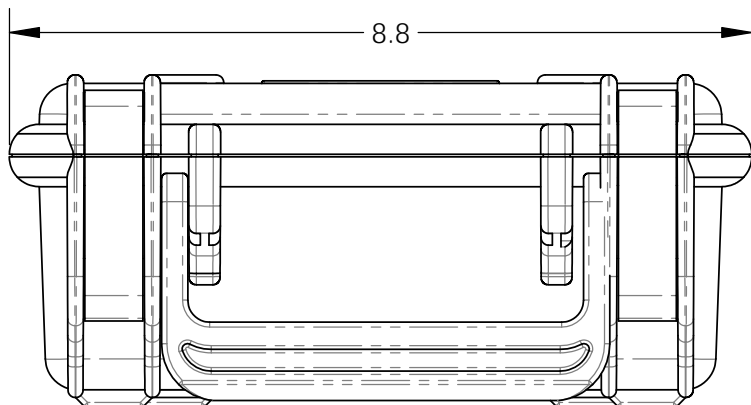
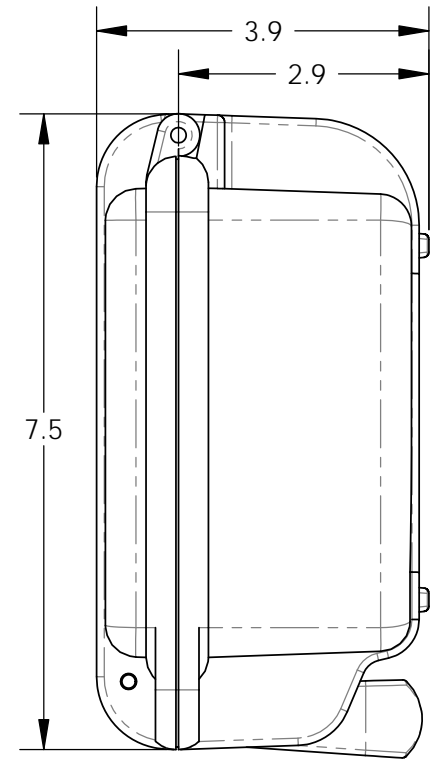
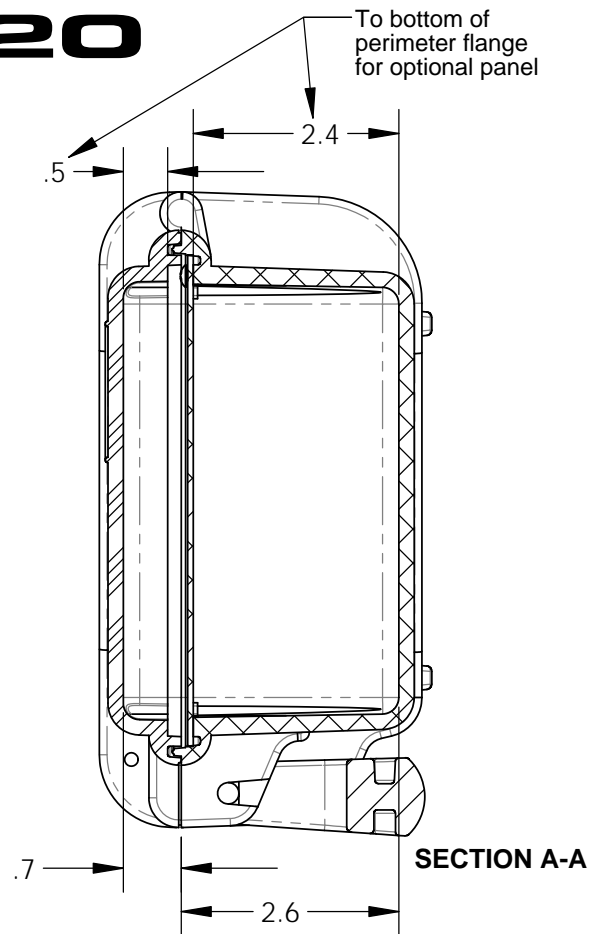
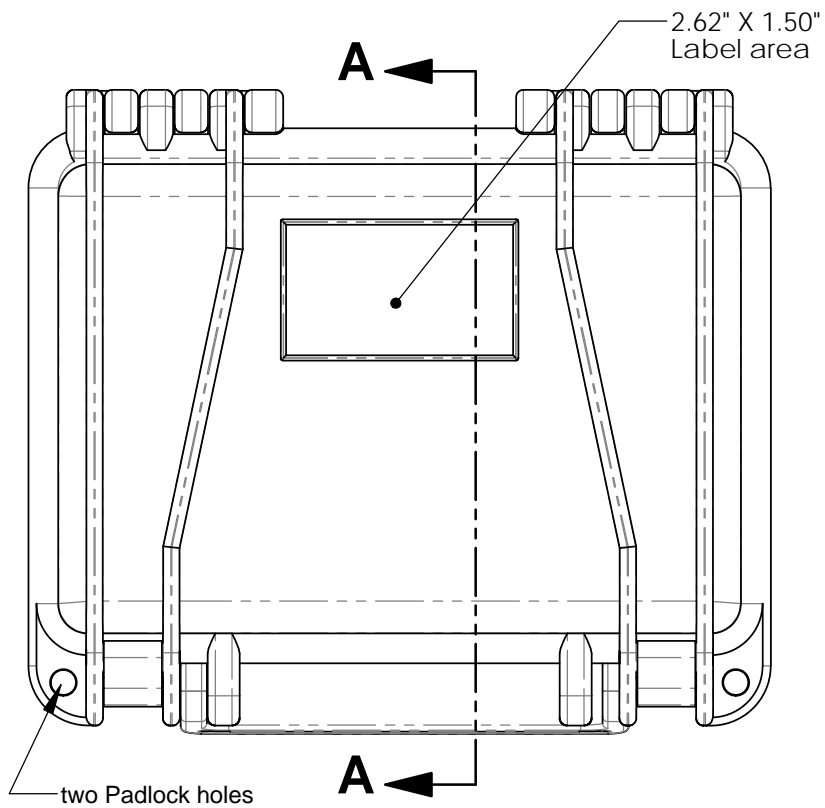


SERPAC SE 120

Electronic Enclosures



NOTES:

- 1) Max. usable inside dimensions are:
7 9/16" X 5" X 3 1/4" (7.6" X 5" X 3.2")
- 2) With Metal Lock Latches p/n SE120ML and Plastic Lock Latches p/n SE120PL are optional.