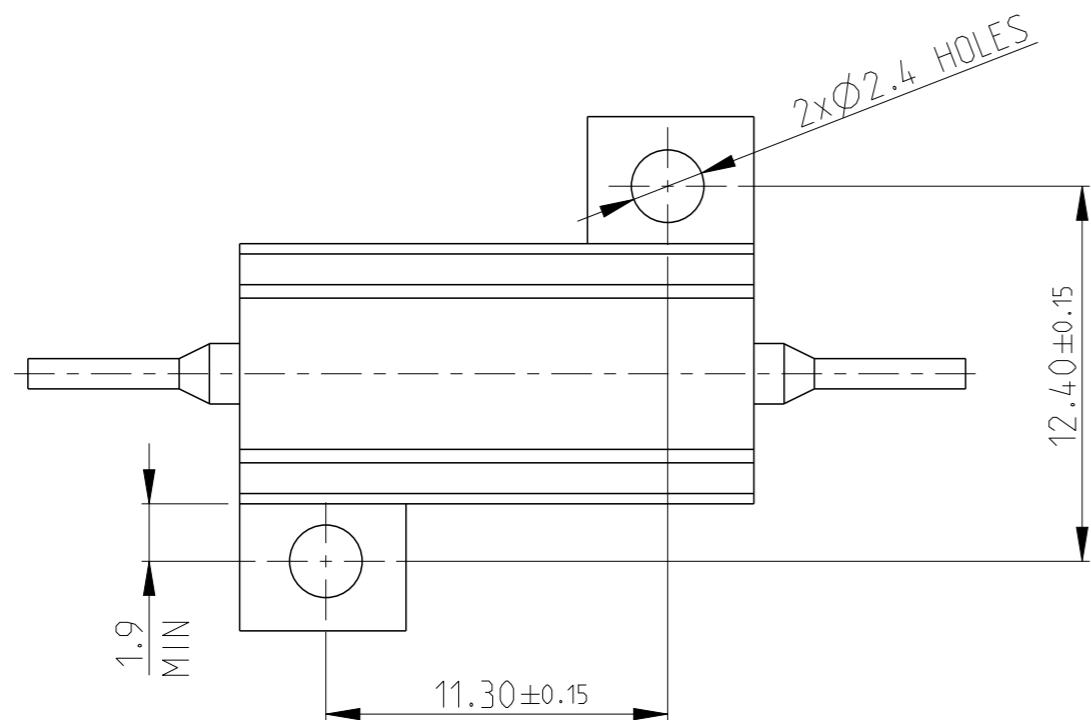


LOC	DIST
E	B

REVISIONS					
P	LTR	DESCRIPTION	DATE	DWN	APVD
B2		Released as per ECR-09-006012	16-MAR-09	SP	JC
B3		ECR-13-007968	14MAY2013	KR	TN



- 1 FOR FURTHER INFORMATION SEE DATA SHEET FOR HS SERIES-ALUMINIUM HOUSED RESISTORS
- 2 FOR A SPECIFIC PN FOR A RESISTANCE VALUE AND TOLERANCE, PLEASE REFER TO DMF

3 TECHNICAL SPECIFICATION

DISSIPATION AT 25°C : 10 WATTS MOUNTED ON STD HEATSINK

BS OHMIC RANGE : R051 TO 7KS

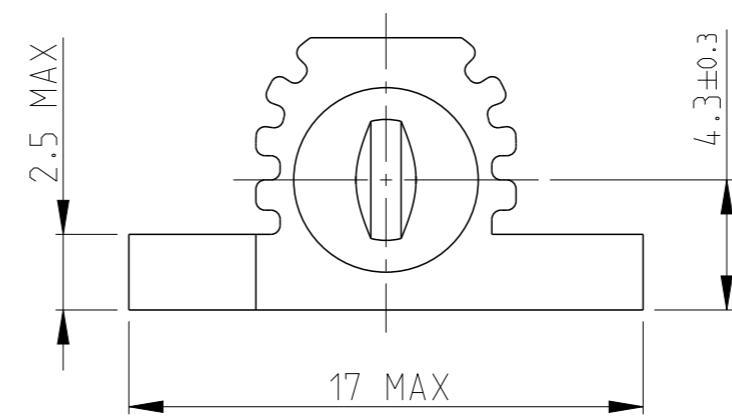
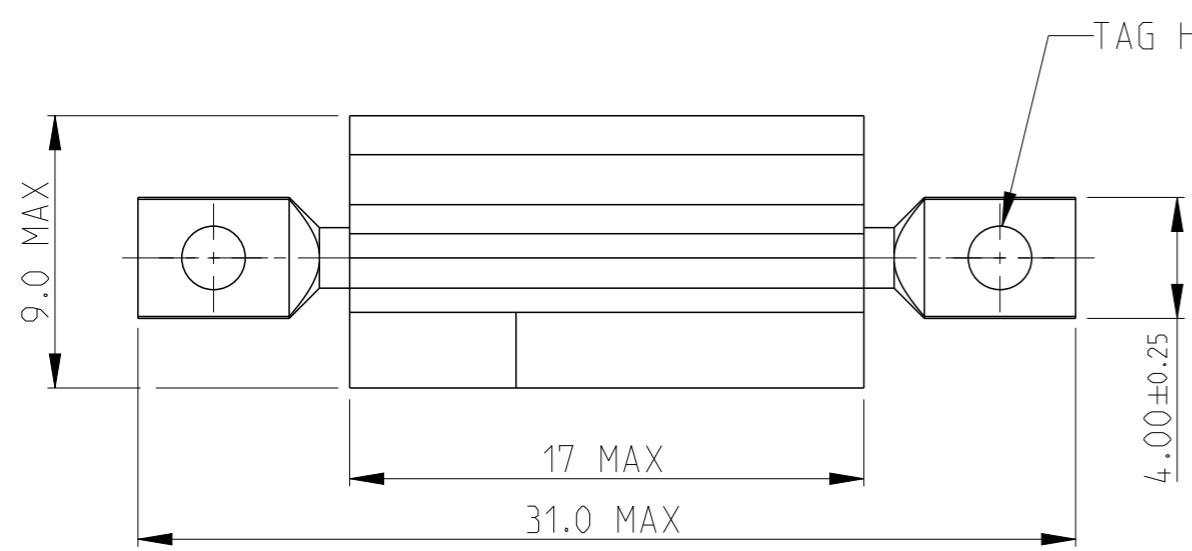
STABILITY : ΔR < =1% PER 1000Hrs

ISOLATION VOLTAGE : 1400V DC/AC pk

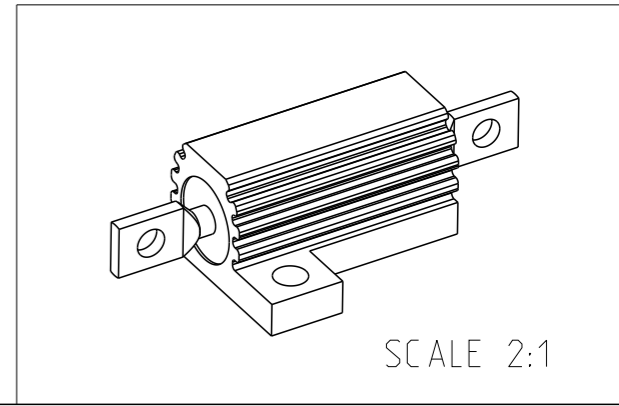
MAX WORKING VOLTAGE : 150V DC/AC rms


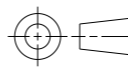
TEMP COEFFICIENT : > 1R0 50ppm
> 100R 25ppm

CLIMATIC CATEGORY : 55/200/56



RoHS Compliant



THIS DRAWING IS A CONTROLLED DOCUMENT.		DWN	30.SEP.05	 TE Connectivity	
		CHK	03.OCT.05		
DIMENSIONS:		APVD		NAME	
mm		03.OCT.05		HSA 5 METAL CLAD RESISTOR	
		PRODUCT SPEC		-	
TOLERANCES UNLESS OTHERWISE SPECIFIED: 0 PLC ±0.5 1 PLC ±0.2 2 PLC ±0.1 3 PLC ± 4 PLC ± ANGLES ±5°		APPLICATION SPEC		-	
MATERIAL -		WEIGHT -		SIZE	RESTRICTED TO
FINISH -		Customer Drawing		A3	-
				CAGE CODE	DRAWING NO
				00779	1676814
				SCALE	SHEET
				4:1	1 OF 1
				REV	B3