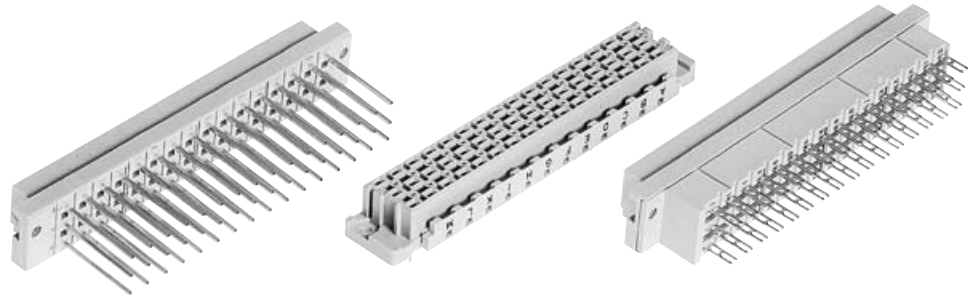


Number of contacts

48



Female connectors

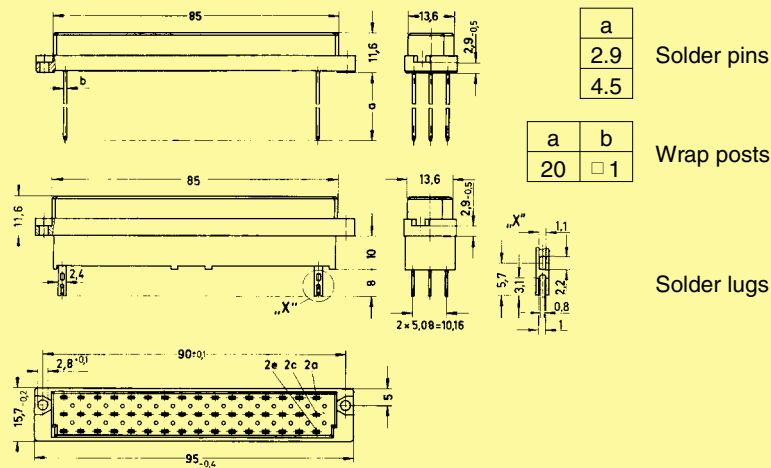
Identification	Number of contacts	Contact arrangement	Part No. Performance levels according to IEC 60603-2. Explanation chapter 00		
			3	2	1
Female connector with solder pins 2.9 mm	48		09 05 248 7832	09 05 248 6832	09 05 248 2832
Female connector with solder pins 4.5 mm	48		09 05 248 7831	09 05 248 6831 09 05 348 6831 ^{b)} 09 05 748 6831 ^{c)}	09 05 248 2831 09 05 748 2831 ^{c)}
Female connector with wrap posts 20 mm	48		09 05 248 7821	09 05 248 6821	09 05 248 2821
Female connector with solder lugs	48		09 05 248 7823	09 05 248 6823	09 05 248 2823

DIN Power 10 6 A

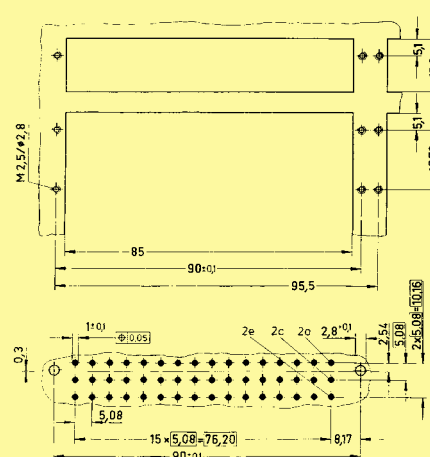
Female connector with press-in pins

Part Nos. and variants see chapter 04

Dimensions

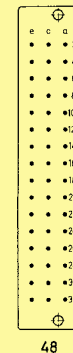


Panel cut out



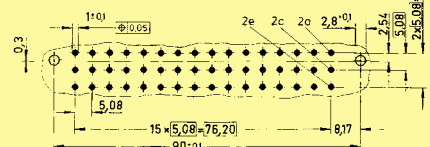
Contact arrangement

View from termination side



Board drillings

Mounting side



Dimensions in mm

^{b)} Connectors with snap-in clips see chapter 00
^{c)} Connectors with coding see page 02.42