

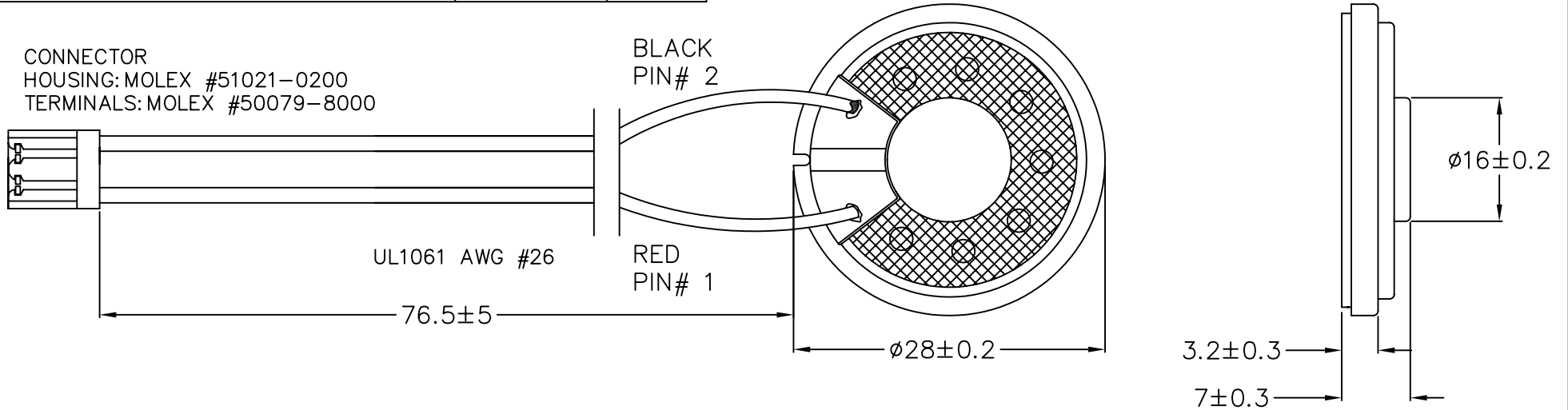
THIS DOCUMENT CONTAINS DATA PROPRIETARY TO PROJECTS UNLIMITED, INC. ANY USE OR REPRODUCTION, IN ANY FORM, WITHOUT PRIOR WRITTEN PERMISSION OF PROJECTS UNLIMITED, INC. IS PROHIBITED.
© 2003, Projects Unlimited Inc.

SPECIFICATIONS

PARAMETERS	VALUES	UNITS
RATED INPUT POWER	0.5	W
MAX INPUT POWER	0.6	W
IMPEDANCE	8±15%	OHM
OUTPUT SPL @ 1W/0.5M (AT 0.8, 1.0, 1.2, 1.5 kHz)	87±3	dB
DISTORTION (MAX.)	5%	-
RESONANT FREQUENCY	650±20%	Hz
FREQUENCY RANGE	650 ~ 6,500	Hz
HOUSING MATERIAL	METAL	-
CONE MATERIAL	MYLAR	-
MAGNET MATERIAL	N35	-
OPERATING TEMPERATURE	-10 ~ +50	°C
WEIGHT	7.6	grams

REVISIONS			
LTR	DESCRIPTION	DATE	APPROVED
-	RELEASED FROM ENGINEERING	9/11/06	

CONNECTOR
HOUSING: MOLEX #51021-0200
TERMINALS: MOLEX #50079-8000



NOTES:

1. ALL DIMENSIONS ARE IN MILLIMETERS.
2. SPECIFICATION SUBJECT TO CHANGE OR WITHDRAWAL WITHOUT NOTICE.
3. THIS PART IS 2002/95/EC COMPLIANT.

FILE NAME
AS02808MR-LWC77-R.DWG

UNLESS OTHERWISE SPECIFIED:
DIMENSIONS ARE IN MILLIMETERS, TOLERANCES ARE ±0.5 AND ANGLES ARE ±3°.

APPROVALS	DATE
DRAWN <i>J.D.</i>	9/06
CHECKED <i>B.R.</i>	9/06
APPROVED <i>R.W.</i>	9/06

DO NOT SCALE DRAWING



Dayton, Ohio

SPEAKER

SIZE A DRAWING NO. AS02808MR-LWC77-R

SCALE: N.T.S.

SHEET 1 OF 1

Mouser Electronics

Authorized Distributor

Click to View Pricing, Inventory, Delivery & Lifecycle Information:

[PUI Audio:](#)

[AS02808MRLWC77R](#)