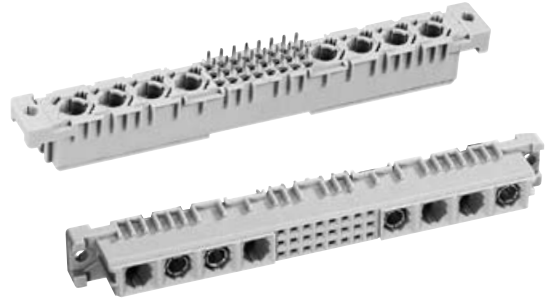


Number of contacts

78+2, 60+4,
42+6, 24+8



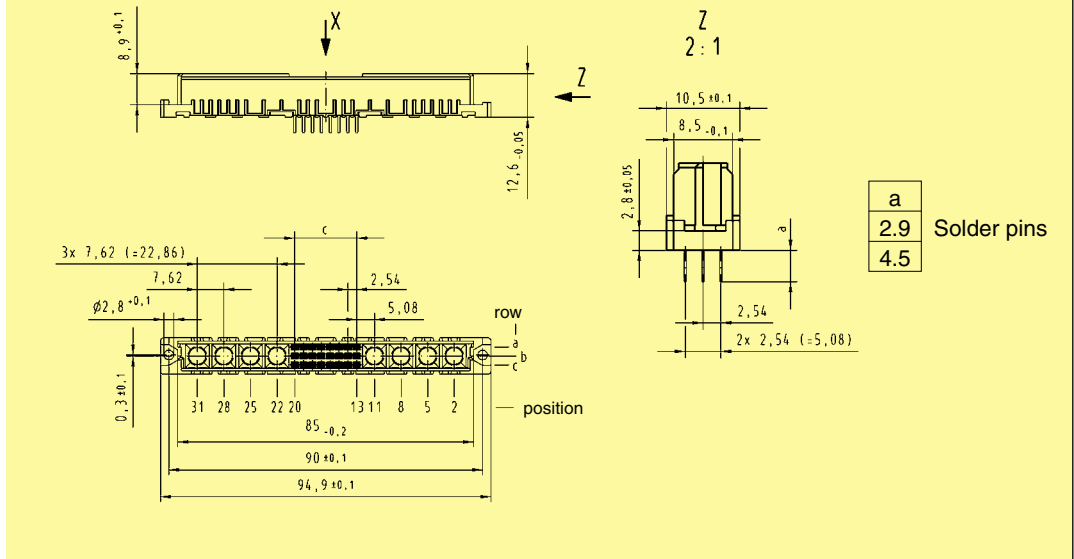
Female connectors

Identification	Number of contacts	Contact arrangement	Part No.	Performance levels according to IEC 60 603-2. Explanation chapter 00		
				3	2	1
Female connector with solder pins 2.9 mm (without special contacts)*	78 + 2		Performance level 3 on request	09 03 278 6864	Performance level 1 on request	
	60 + 4			09 03 260 6864		
	42 + 6			09 03 242 6864		
	24 + 8			09 03 224 6864		
Female connector with solder pins 4.5 mm (without special contacts)*	78 + 2		Performance level 3 on request	09 03 278 6865	Performance level 1 on request	
	60 + 4			09 03 260 6865		
	42 + 6			09 03 242 6865		
	24 + 8			09 03 224 6865		

Female connector with press-in pins

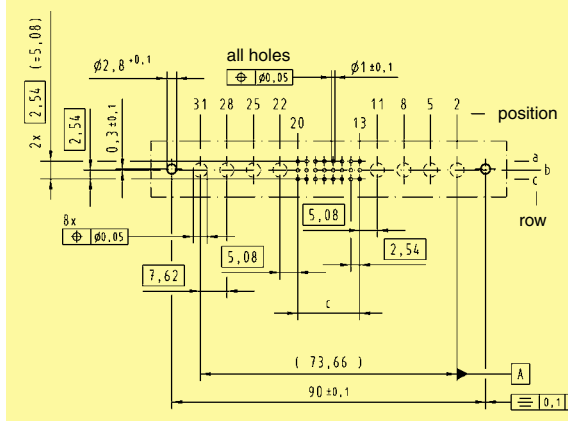
Part Nos. and variants see chapter 04

Dimensions



Order high current, high voltage, coaxial and fibre optic contacts separately, see pages 01.30 and 01.31

Board drillings
Mounting side



Board drillings depend on type and special contact loading

Type	c
78 + 2	25 x 2.54 = 63.5
60 + 4	19 x 2.54 = 48.26
42 + 6	13 x 2.54 = 33.02
24 + 8	7 x 2.54 = 17.78

Dimensions in mm

* Pre-loaded with special contacts on request