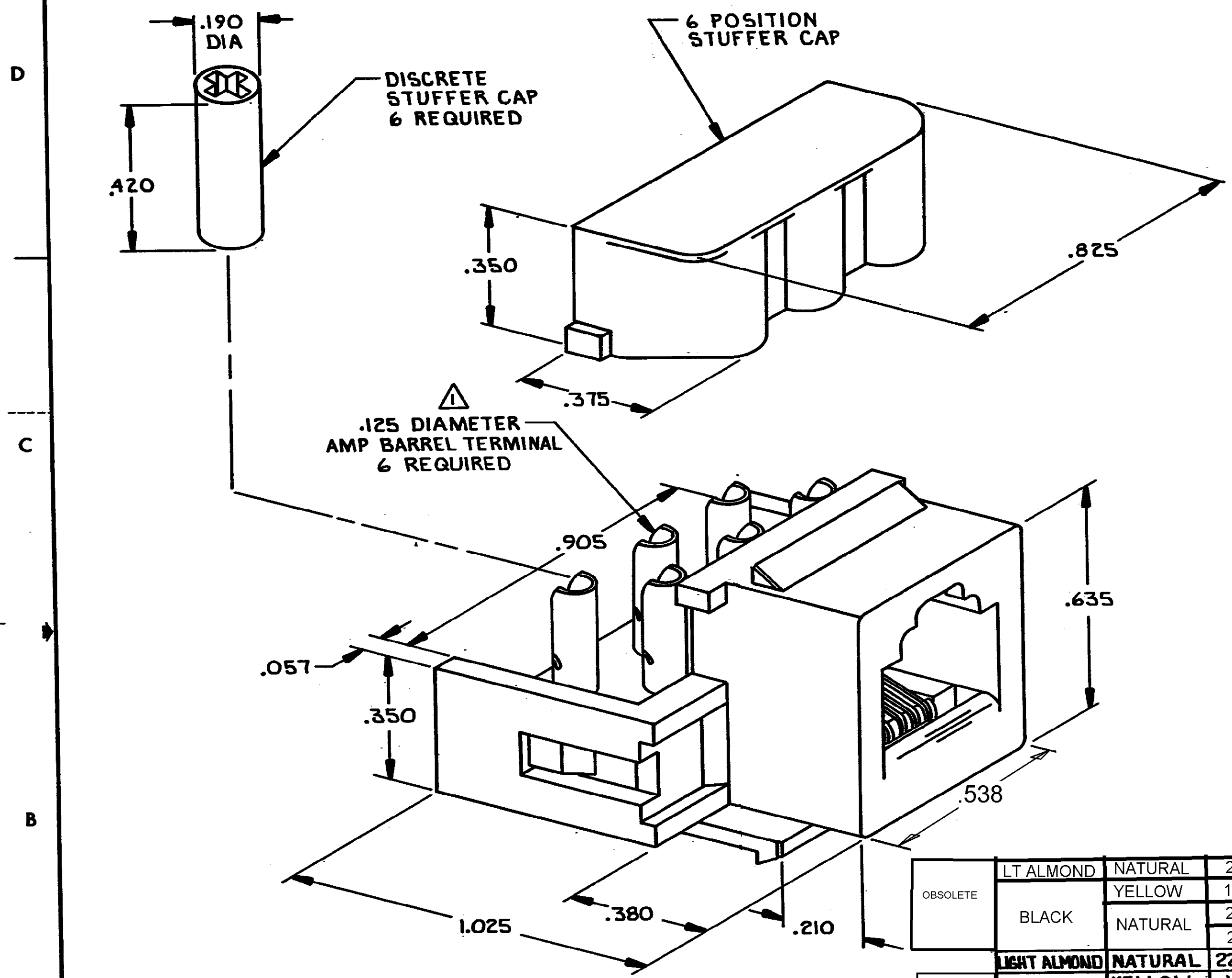


DRAWING MADE IN THIRD ANGLE PROJECTION

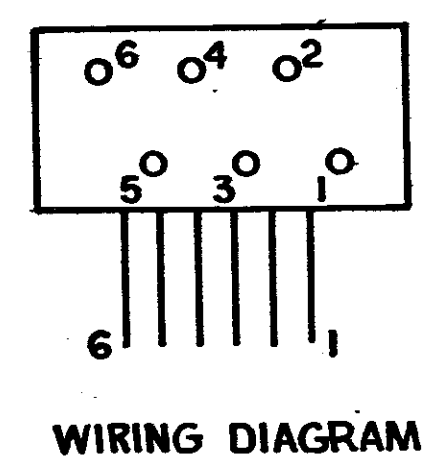
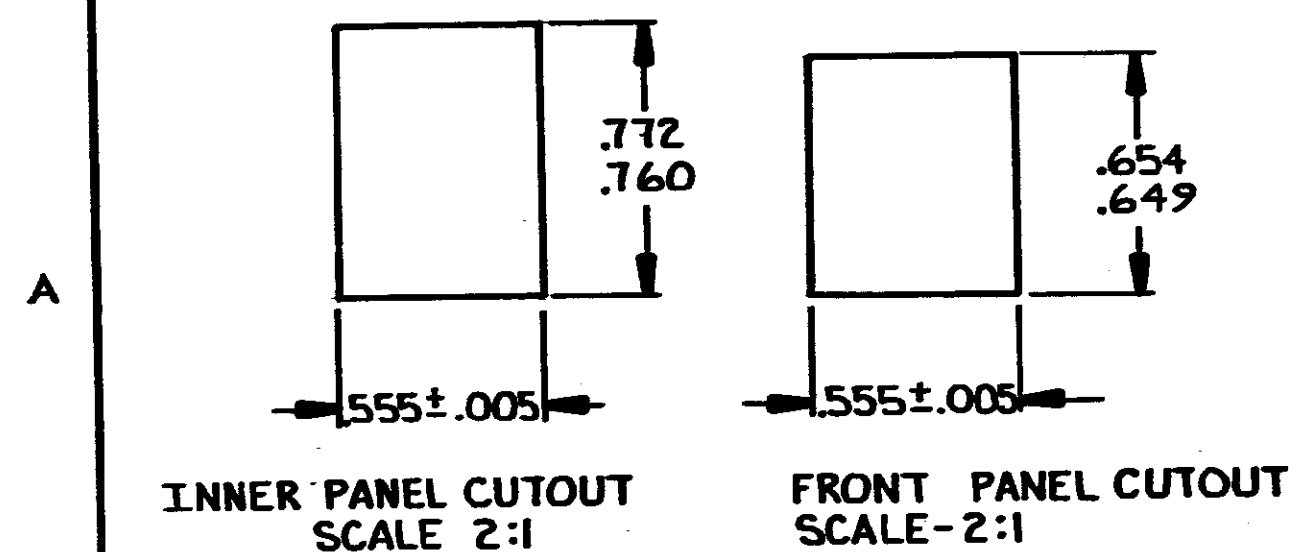
LOC AA DIST 22

THIS DRAWING IS UNPUBLISHED. RELEASED FOR PUBLICATION 19
 © COPYRIGHT 19 BY AMP INCORPORATED, HARRISBURG, PA. ALL INTERNATIONAL RIGHTS RESERVED. AMP PRODUCTS MAY BE COVERED BY U.S. AND FOREIGN PATENTS AND/OR PATENTS PENDING.

REVISIONS						
P	F	ZONE	LTR	DESCRIPTION	DATE	APPROVED
			F1	ECO-06-019685	29SEP08	JM / BM
			F2	REV ECO-07-025549	19DEC07	LH / SA
			F3	REVISED PER ECO-08-031715	12MAY09	AEG / JGG



- 1. BARREL TERMINAL WIRE RANGE: 19-28 AWG SOLID OR STRANDED WIRE MAX INSULATION DIA IS .065.
- 2. MOUNTING PANEL THICKNESS: .062 NOMINAL.
- 3. MATERIAL: 6 POSITION STUFFER CAP - POLYCARBONATE, NATURAL. DISCRETE STUFFER CAP - NYLON 6/6. BARREL TERMINAL - TIN COATED PHOSPHOR BRONZE. CONTACTS - NICKEL PLATED HIGH STRENGTH COPPER ALLOY HAVING SELECTIVE GOLD PLATING ON CONTACT AREA AND SELECTIVE TIN PLATING ON BARREL TERMINAL AREA. HOUSING AND KEYSTONE - THERMOPLASTIC, 94 V-0 RATED, SEE TABLE.
- 4. STUFFER CAPS SHIPPED NOT ASSEMBLED.
- 5. BARREL TERMINALS WILL ACCOMODATE ONE OR TWO WIRES OF THE SAME TYPE AND WITHIN PLUS OR MINUS ONE WIRE GAUGE SIZE.



HOUSING COLOR	STUFFER CAP COLOR	WIRE RANGE	DESCRIPTION	PART NO
LT ALMOND	NATURAL	22-26 AWG	KIT WITH 1 SIX POSITION STUFFER CAP	5-554171-4
OBSOLETE	BLACK	19-22 AWG	KIT WITH SIX DISCRETE STUFFER CAPS	5-554171-3
	NATURAL	24-28 AWG		5-554171-2
OBSOLETE	BLACK	22-26 AWG	KIT WITH 1 SIX POSITION STUFFER CAP	5-554171-1
	NATURAL	22-26 AWG	KIT WITH 1 SIX POSITION STUFFER CAP	-4
OBSOLETE	BLACK	19-22 AWG	KIT WITH 6 DISCRETE STUFFER CAPS	3
	NATURAL	24-28 AWG		2
OBSOLETE	BLACK	22-26 AWG	KIT WITH 1 SIX POSITION STUFFER CAP	554171-1
	NATURAL	22-26 AWG	KIT WITH 1 SIX POSITION STUFFER CAP	554171-1

UNLESS OTHERWISE SPECIFIED DIMENSIONS ARE IN INCHES. TOLERANCES ON: DECIMALS ± .010 ANGLES ±

CONTRACT NO
 DR C. Yates 6-20-85
 CHK Stephen D... 7-1-85
 Gene Reed 7-01-85
 APPD B.W. Johnson 7-1-85
 APPD

AMP INCORPORATED
 Harrisburg, Pa. 17105

NAME
**KEYSTONE JACK KIT,
 6 POSITION, COMMERCIAL**

SIZE C FSCM NO 00779 DRAWING NO 554171 REV F3
 SCALE 4:1 SHEET 1 OF 1

554171

CUSTOMER DRAWING