

DELTA ELECTRONICS, INC.
 252, SHANG YING ROAD, KUEI SAN
 TAOYUAN HSIEN 333, TAIWAN, R. O. C.

TEL : 886-(0)3-3591968
 FAX : 886-(0)3-3591991

SPECIFICATION FOR APPROVAL

Customer:

Description: EC FAN

Customer P/N: REV:

Delta Model NO.: AFL28A2LU-BR, A01(1400RPM)

Sample Rev: X00 Issue NO:

Sample Issue Date: June 12, 2014 Quantity:

1. SCOPE:

THIS SPECIFICATION DEFINES THE ELECTRICAL AND MECHANICAL CHARACTERISTICS OF THE AC TO DC BRUSHLESS AXIAL FLOW FAN.

2. CHARACTERS:

ITEM	DESCRIPTION
NOMINAL VOLTAGE (VAC)	230 VAC (50/60Hz)
NOMINAL VOLTAGE RANGE	200 - 240 VAC
INPUT POWER (FREE AIR)	16W TYP.
INPUT POWER (MAX. LOAD)	40W MAX.
SPEED	1400±10% R.P.M.
MAX. AIR FLOW (AT ZERO STATIC PRESSURE)	13.10 M ³ /MIN. (TYP.) 460 CFM (TYP.)
MAX. AIR PRESSURE (AT ZERO AIRFLOW)	11.0 mmH ₂ O (TYP.) 0.43 inchH ₂ O (TYP.)
ACOUSTICAL NOISE (1M) (NOTE4)	55.0 (MAX. 60.0) dB(A)
INSULATION TYPE	UL: CLASS B

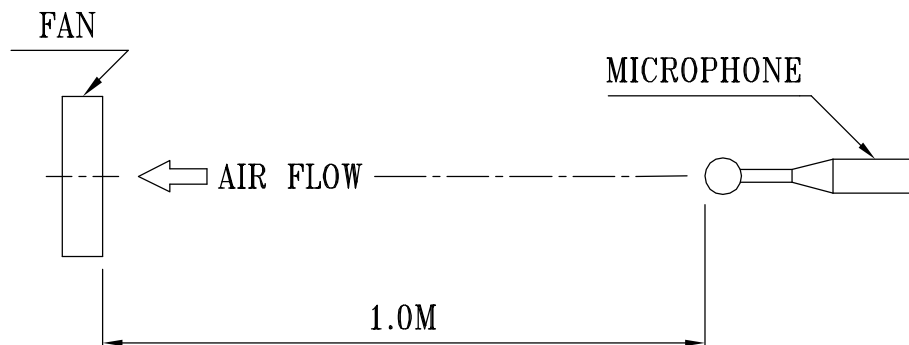
(continued)

PART NO:

DELTA MODEL: AFL28A2LU-BR A01

INSULATION STRENGTH	10 MEG OHM MIN. AT 500 VDC (BETWEEN FRAME AND (+) TERMINAL)
DIELECTRIC STRENGTH	5 mA MAX. AT 500 VAC 50/60 Hz ONE MINUTE, (BETWEEN FRAME AND (+) TERMINAL)
EXTERNAL COVER	OPEN TYPE
LIFE EXPECTANCE (L10) AT LABEL VOLTAGE	60,000 HOURS CONTINUOUS OPERATION AT 40 °C WITH 15 ~ 65 %RH.
ROTATION	CLOCKWISE VIEW FROM NAME PLATE SIDE
OVER CURRENT SHUT DOWN	THE CURRENT WILL SHUT DOWN WHEN LOCKING ROTOR
LEAD WIRE	UL SVT 18AWG/2C(105°C) -LF- BLUE WIRE BROWN WIRE

- NOTES: 1. ALL READINGS ARE MEASURED AFTER STABLY WARMING UP THROUGH 10 MINUTES.
2. STANDARD AIR PROPERTY IS AIR AT (Td) 25°C TEMPERATURE, (RH) 65% RELATIVE HUMIDITY, AND (Pb) 760 mmHg BAROMETRIC PRESSURE.
3. THE VALUES WRITTEN IN PARENS , (), ARE LIMITED SPEC.
4. ACOUSTICAL NOISE MEASURING CONDITION:



NOISE IS MEASURED AT RATED VOLTAGE IN FREE AIR IN SEMI-ANECHOIC CHAMBER WITH B & K SOUND LEVEL METER WITH MICROPHONE AT A DISTANCE OF 1.0M FROM THE FAN INTAKE.

PART NO:

DELTA MODEL: AFL28A2LU-BR A01

3. MECHANICAL:

- 3-1. DIMENSIONS ----- SEE DIMENSIONS DRAWING
- 3-2. FRAME ----- PLASTIC UL: 94V-0
- 3-3. IMPELLER ----- PLASTIC UL: 94V-0
- 3-4. BEARING SYSTEM ----- 2 BALL BEARING
- 3-5. WEIGHT ----- 1.1 KILOGRAMS (REF.)
- 3-6. INGRESS PROTECTION LEVEL ----- IP-55

4. ENVIRONMENTAL:

- 4-1. OPERATING TEMPERATURE ----- -20 TO +60 DEGREE C
- 4-2. STORAGE TEMPERATURE ----- -40 TO +85 DEGREE C
- 4-3. OPERATING HUMIDITY ----- 5 TO 90 % RH
- 4-4. STORAGE HUMIDITY ----- 5 TO 95 % RH

5. PROTECTION:

5-1. LOCKED ROTOR PROTECTION

IMPEDANCE OF MOTOR WINDING PROTECTS MOTOR FROM FIRE IN 96 HOURS OF LOCKED ROTOR CONDITION AT THE RATED VOLTAGE.

5-2. POLARITY PROTECTION

BE CAPABLE OF WITHSTANDING IF REVERSE CONNECTION FOR POSITIVE AND NEGATIVE LEADS.

6. RE OZONE DEPLETING SUBSTANCES:

- 6-1. NO CONTAINING PBBs, PBBOs, CFCs, PBBEs, PBDPEs AND HCFCs.

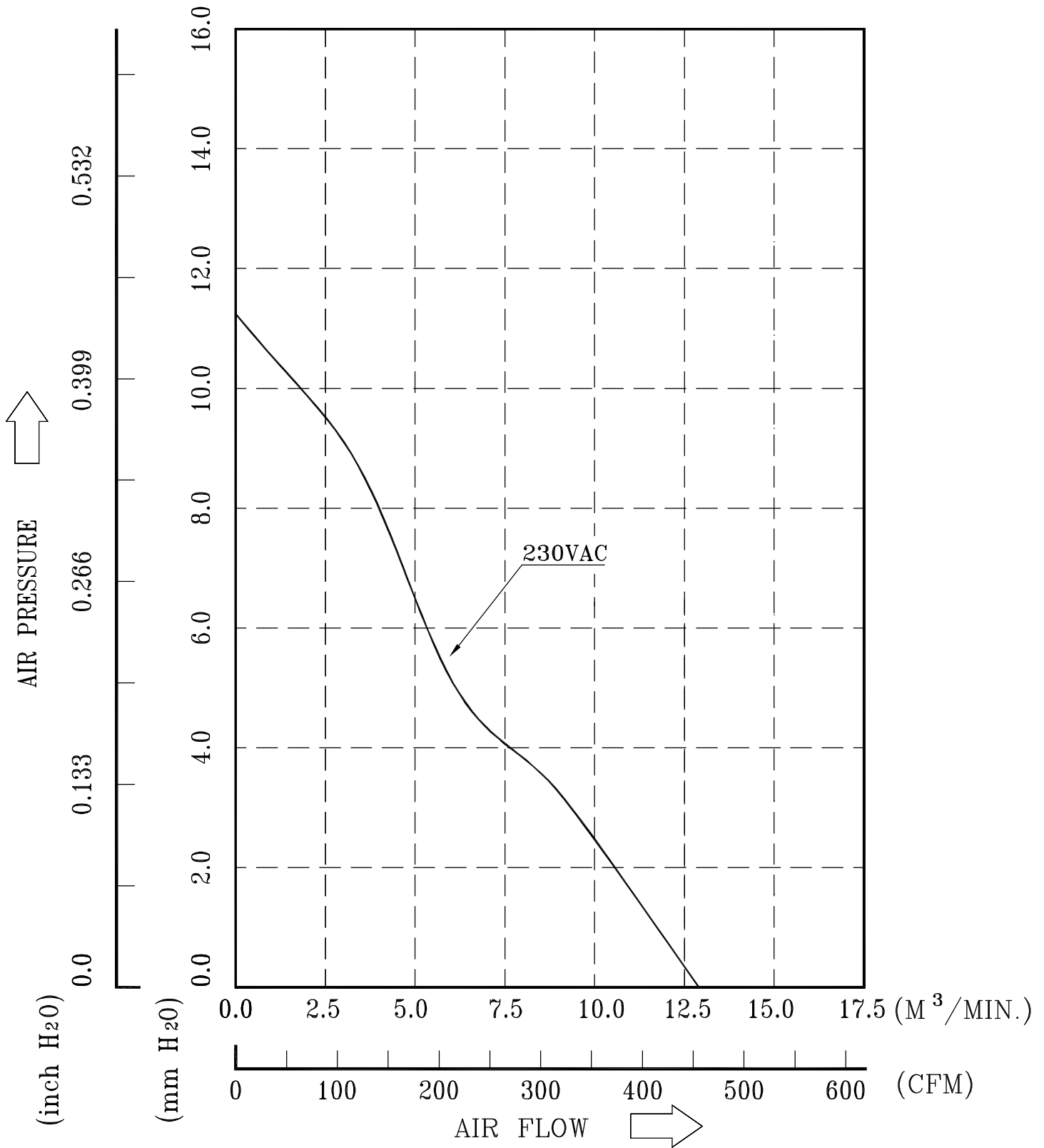
7. PRODUCTION LOCATION

- 7-1. PRODUCTS WILL BE PRODUCED IN CHINA.

PART NO:

DELTA MODEL: AFL28A2LU-BR A01

8. P & Q CURVE:

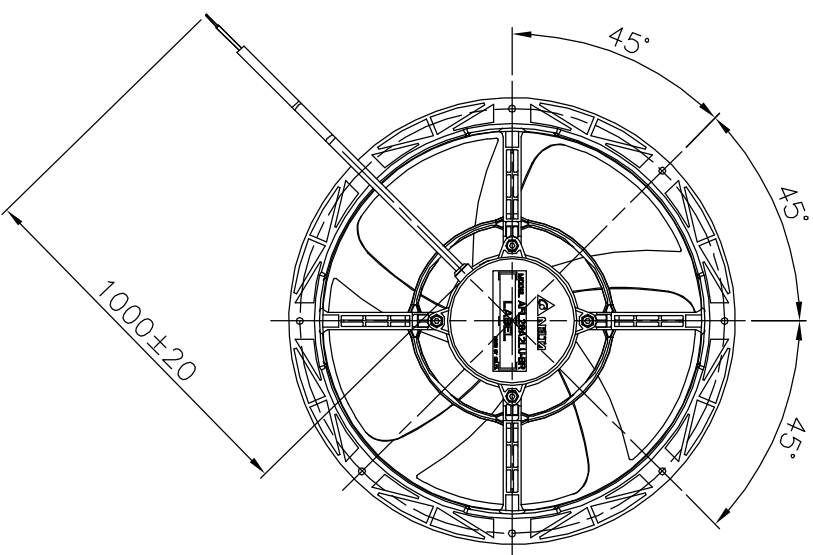
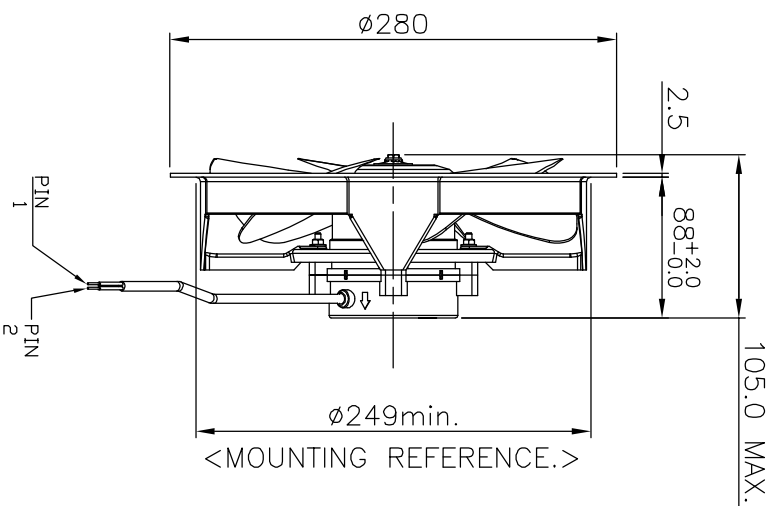
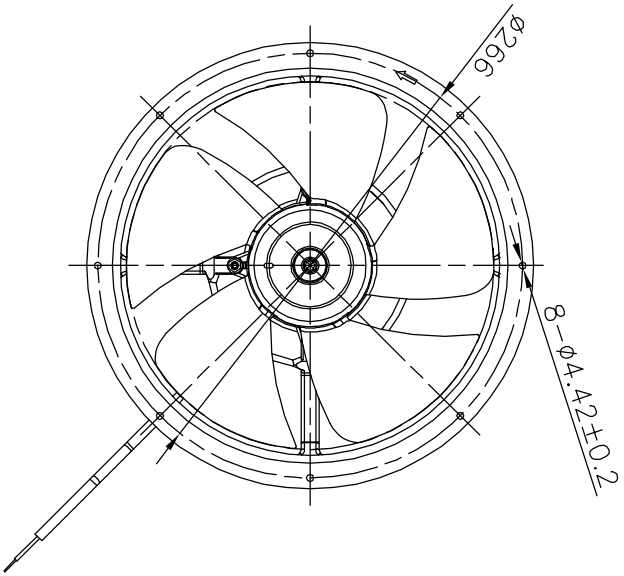


* TEST CONDITION: INPUT VOLTAGE ----- OPERATION VOLTAGE
TEMPERATURE ----- ROOM TEMPERATURE
HUMIDITY ----- 65%RH

PART NO:

DELTA MODEL: AFL28A2LU-BR A01

9. DIMENSION DRAWING:



NOTES: 1. THIS PRODUCT IS ROHS COMPLIANT

2. UL SVT 18AWG/2C(105°C) -1F-

PIN1: RED WIRE

PIN2: BROWN WIRE

3. IMPELLER DIAMETER IS 230mm

UNIT : mm