

APPROVAL

PART NO.	DESCRIPTION	REMARKS
HT2002L	LCD MODULE (176 x RGB x 220 Dots)	This is ROHS compliant

CUSTOMER APPLICATION P/N	
APPROVED BY	
DATE	

PLEASE KINDLY FIND AND APPROVE THE SPECIFICATIONS INSERTED
HEREIN AND RETURN ONE COPY HERE OF WITH YOUR SIGNATURE OF APPROVAL.

PERPARED BY	CHECKED BY	CONFIRMED BY



HYES Optoelectronics, Inc.

2000 Wyatt Drive Suite 6
Santa Clara, CA 95054 USA

REVISION HISTORY

Date	Rev. No.	Page	Summary
Dec. 04, 2007	-	ALL	- 1'st Issue
Dec. 13, 2007	A	4	- Update the weight
		9	- Update the viewing and contrast
		13	- Update the initial code

CONTENTS

- 1. Basic Specifications**
 - 1.1 Display Specifications**
 - 1.2 Mechanical Specifications**
 - 1.3 Outline Dimension**
 - 1.4 Block Diagram**
 - 1.5 Schematic**
- 2. Electrical Characteristics**
 - 2.1 Absolute Maximum Ratings**
 - 2.2 Environmental Conditions**
 - 2.3 DC Characteristics**
- 3. Optical Characteristics**
- 4. Interface Pins**
- 5. Backlight Specifications (LED Unit)**
- 6. Recommended Software Setting Values (Initial code)**
- 7. Power Supply Sequence**
- 8. Read/Write Timing characteristics (80 series MPU)**
- 9. LCD Module Out-Going Quality Level**
- 10. LCD Module Operation Instruction**

1. Basic Specifications

1.1 Display Specifications

Item	Description	Note
Resolution	176 × RGB × 220	
Display mode	TFT, Normally White, Transmissive	262K Color
Viewing direction	6 O'clock	
Driving method	528Ch-Source, 220Ch-Gate	
Backlighting	LED, White (3 chips in parallel)	
Diver IC	LGDP4524, COG	
Others	80-Series, 16/8-Bit Parallel Data	

1.2 Mechanical Specifications

Item	Specification	Unit
Module Size (W × H × T)	38.4 × 51.4 × 2.35	mm
Viewing Area (W × H)	-	mm
Active Area (W × H)	31.68 × 39.6	mm
Dot Size (W × H)	0.05 × 0.17	mm
Dot Pitch (W × H)	0.06 × 0.18	mm
Weight	About 6	g

Date : Dec. 13, 2007

TECHNICAL SPECIFICATION

HYES

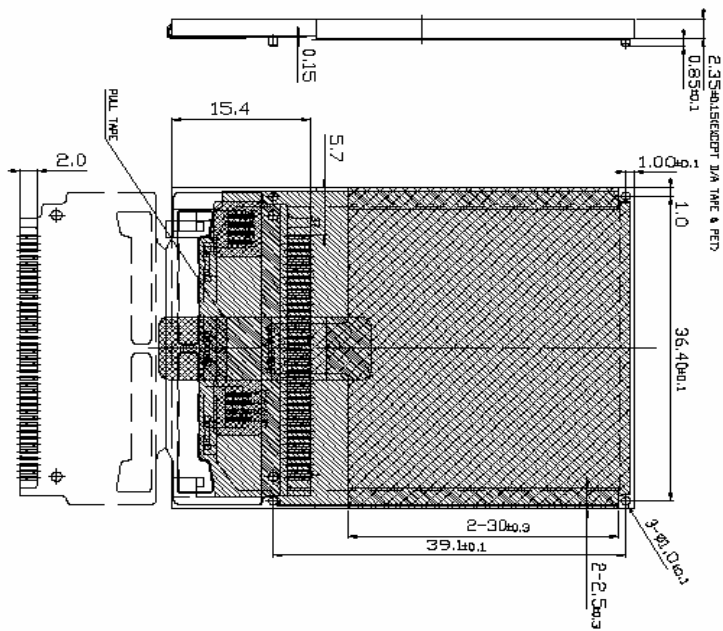
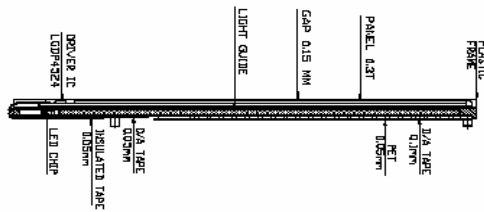
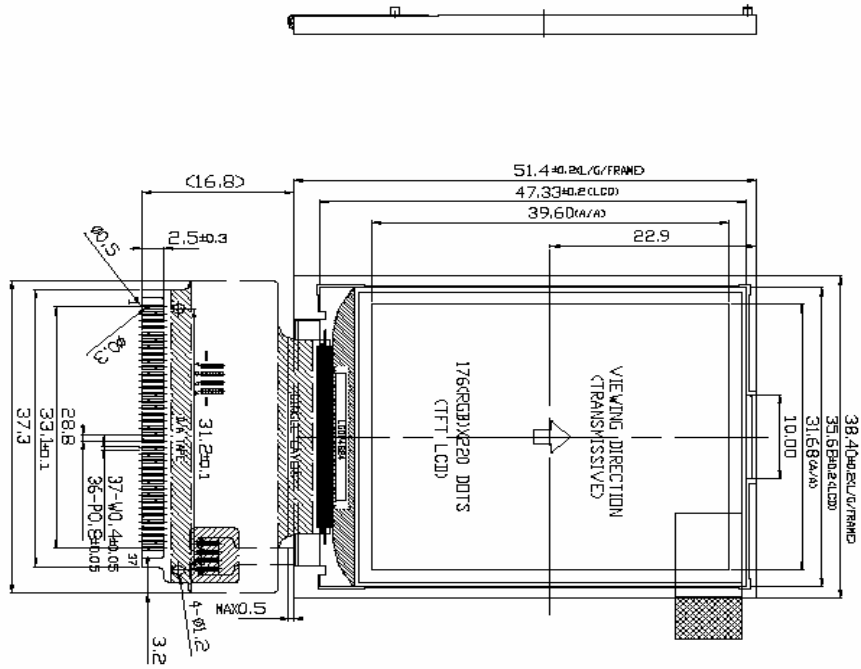
LCM

HT2002L

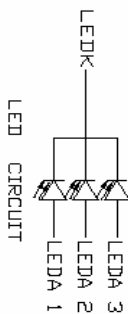
Page 4 of 23

1.3 Outline Dimension

NO.	NAME
1	GND
2	ID
3	RESET
4	DB0
5	DB1
6	DB2
7	DB3
8	DB4
9	DB5
10	DB6
11	DB7
12	DB8
13	DB9
14	DB10
15	DB11
16	DB12
17	DB13
18	DB14
19	DB15
20	RD
21	WR
22	RS
23	CS
24	VCC
25	GND
26	VCCIO
27	IMO
28	XN
29	YP
30	XP
31	YN
32	GND
33	LED1+
34	LED2+
35	LED3+
36	LED4(NC)
37	LED-



NOTE
 1.GENERAL TOLERANCE ±0.2
 2.BACKLIGHT LED USED 3 CHIP



Date : Dec. 13, 2007

TECHNICAL SPECIFICATION

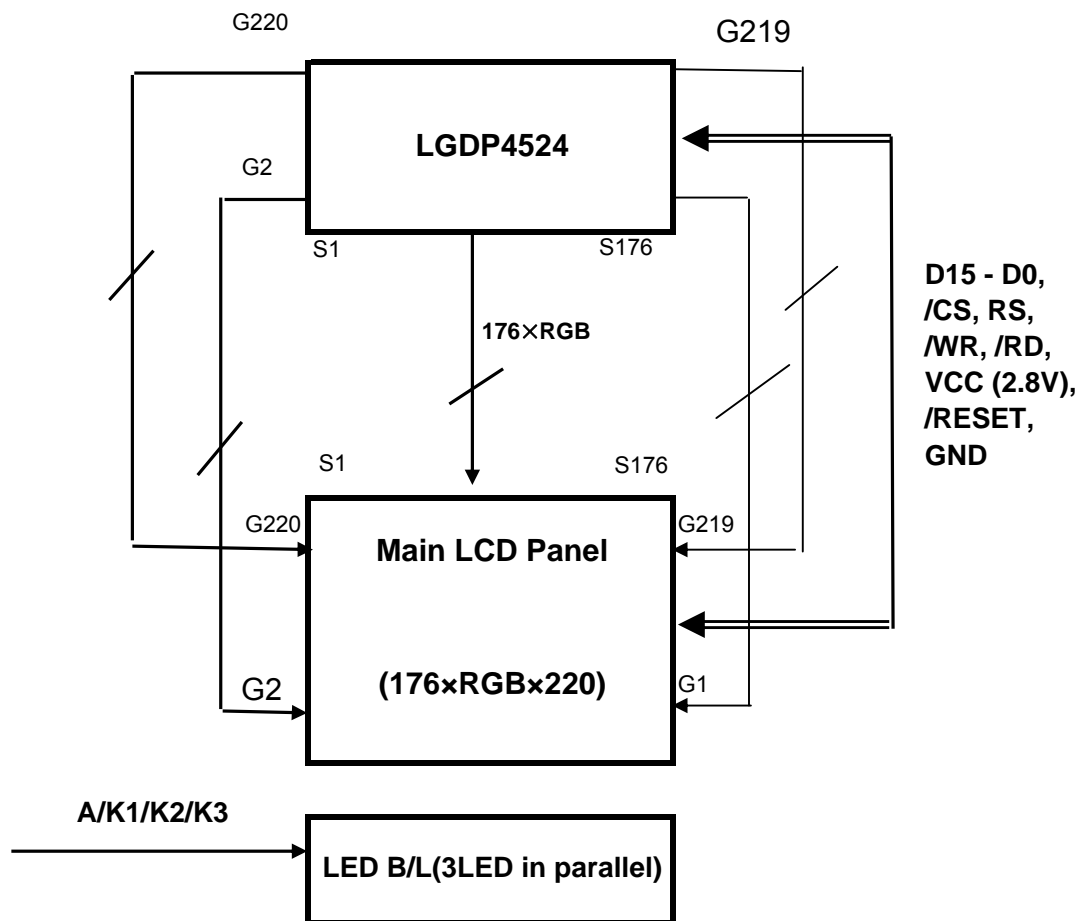
HYES

LCM

HT2002L

Page 5 of 23

1.4 Block Diagram



Date : Dec. 13, 2007

TECHNICAL SPECIFICATION

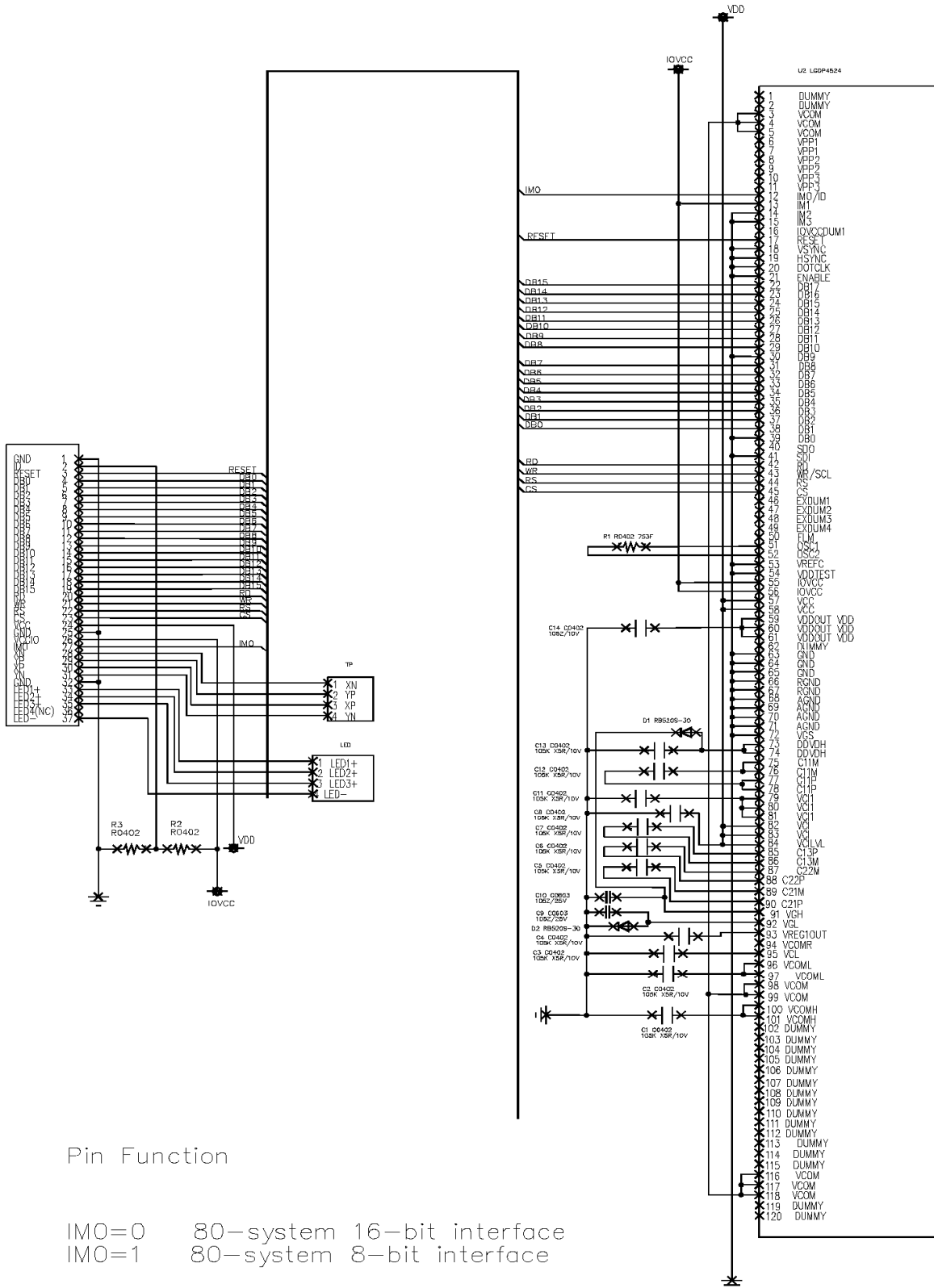
HYES

LCM

HT2002L

Page 6 of 23

1.5 Schematic



Pin Function

IM0=0 80-system 16-bit interface
 IM0=1 80-system 8-bit interface

2. Electrical Characteristics

2.1 Absolute Maximum Ratings

Item	Symbol	Value			Unit	Condition	Remark
		Min.	Typ.	Max			
Supply Voltage Range	Logic	V _{CC}	-0.3	-	4.5	V	Ta =25℃
	LCD	V _{GH}	-0.3	-	18.0	V	Ta =26℃
		V _{GL}	-18	-	0.3	V	Ta =25℃
Input Voltage	V _{IN}	V _{SS} - 0.3	-	V _{CC}	V	Ta =25℃	

2-2 Environmental Conditions

Item	Symbol	Min.	Max.	Unit
Operating temperature	Topr	-20	70	℃
Storage temperature	Tstg	-30	80	℃
Humidity (Ambient temperature=Ta)	Ta ≤ 60℃		90% RH max.	

2-3 DC Characteristics

Items	Sysbol	Spec. Value			Unit	Condition	
		Min.	Typ.	Max.			
Operating voltage	Logic	V _{CC}	2.72	2.8	2.88	V	
	Gate	V _{GH}	12	-	18	V	
		V _{GL}	-11	-	-7	V	
Input current	ICC	-	7.0	120	mA	Ta=25℃	
Input voltage	High level	V _{IH}	0.8V _{CC}	-	V _{CC}	V	-
	Low level	V _{IL}	-0.3	-	0.2V _{CC}	V	-

Date : Dec. 13, 2007

TECHNICAL SPECIFICATION

HYES

LCM

HT2002L

Page 8 of 23

3. Optical Characteristics

Transmissive mode

(Ta = 25°C)

Item	Symbol	Min.	Typ.	Max.	Unit	Condition	Note
Viewing Angle	U	10	15	-	Deg	Cr > 10	
	D	35	45	-			
	L	40	45	-			
	R	40	45	-			
Contrast ratio	Cr	150	300	-	-	$\theta = 0$ $\phi = 0$	
Response Time	Tr + Tf	-	25	-	ms	$\theta = 0$ $\phi = 0$	
CIE Coordi- -nate	R	(x,y)	0.58,0.29	0.63,0.34	0.68,0.39		$\theta = 0$ $\phi = 0$
	G	(x,y)	0.28,0.54	0.33,0.59	0.38,0.64		
	B	(x,y)	0.09,0.02	0.14,0.07	0.19,0.12		
	W	(x,y)	0.24,0.24	0.29,0.29	0.34,0.34		
Brightness	L	200	230	-	cd/m ²	18mA/LED	
Uniformity		70	-	-			

* $\phi = 0^\circ$, $\phi = 90^\circ$ means viewing direction.

* B/L is turned on.

* Remark : As for contrast ratio, it is measured in only Panel.

Date : Dec. 13, 2007

TECHNICAL SPECIFICATION

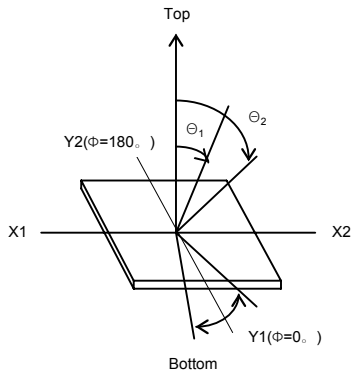
HYES

LCM

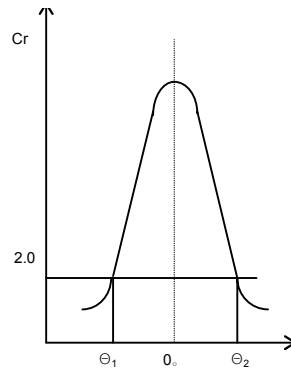
HT2002L

Page 9 of 23

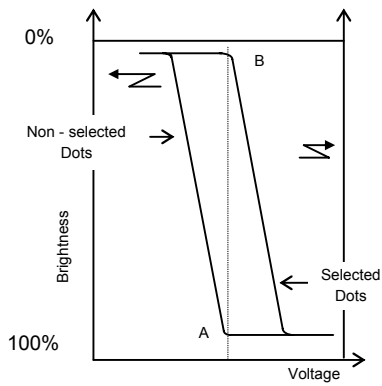
Note 1 . Definition of angle Θ and Φ



Note 2. Definition of viewing angle Θ_1 and Θ_2



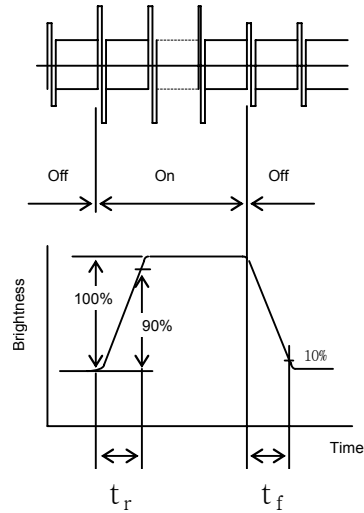
Note 3. Definition of contrast Cr



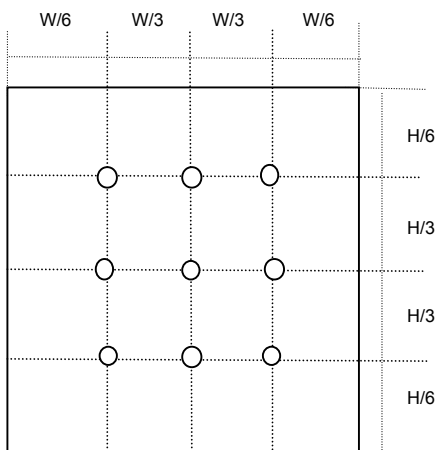
$Cr = (A/B)^P$ Negative : P = -1 Set Point
Positive : P = +1 Point

Lens $\varnothing = 3\text{mm}$

Note 4. Definition of Optical response



Note 5. Measuring Point(9 POINTS) (WxH)



Rating is defined as the average brightness inside the viewing area

Date : Dec. 13, 2007

TECHNICAL SPECIFICATION



LCM

HT2002L

Page 10 of 23

4. Interface Pins

no	symbol	Description
1	GND	Ground
2	ID	ID bit setting of device ID code
3	RESET	Reset Signal (low active)
4	DB0	Data Bus
5	DB1	Data Bus
6	DB2	Data Bus
7	DB3	Data Bus
8	DB4	Data Bus
9	DB5	Data Bus
10	DB6	Data Bus
11	DB7	Data Bus
12	DB8	Data Bus
13	DB9	Data Bus
14	DB10	Data Bus
15	DB11	Data Bus
16	DB12	Data Bus
17	DB13	Data Bus
18	DB14	Data Bus
19	DB15	Data Bus
20	RD	Read Signal(low active)
21	WR	Write Signal (low active)
22	RS	Command/Data Select
23	CS	Chip select Signal (low active)
24	VCC	Supply Voltage (2.8V)
25	GND	Ground
26	VCCIO	Supply Voltage (1.8V)
27	IM0	CPU Interface Mode Selection
28	XN	Touch Panel Pad
29	YP	Touch Panel Pad
30	XP	Touch Panel Pad
31	YN	Touch Panel Pad
32	GND	Ground
33	LED1+	LED Anode1
34	LED2+	LED Anode2
35	LED3+	LED Anode3
36	NC	No Connection
37	LED-	LED Kathode

Date : Dec. 13, 2007

TECHNICAL SPECIFICATION

HYES

LCM

HT2002L

Page 11 of 23

5. Backlight Specification (LED Unit)

Item	Symbol	Spec. Value			Unit	Condition
		Min.	Typ.	Max.		
Input voltage	V _{BAT} (+)	-	3.2	-	V	-
Real Current	I _{LED}	-	18	20	mA	note 1.
Power dissipation	P _D	-	-	250	mW	note 2.
Operation temp.	T _{opr}	-20----70			°C	-
Storage temp.	T _{str}	-30----80			°C	-

Note 1. B/L: 3EA LED in parallel, the maximal current is 20mA(FULL BRIGHTNESS)

Note2. Total power consumption(max) depends on LED current/ LED driver efficiency, etc.

The above data only describes maximum power consumption of LCM's LED Chips.

(LED Max. Vf=3.4V, LED Max. Current=20mA)

Date : Dec. 13, 2007

TECHNICAL SPECIFICATION

HYES

LCM

HT2002L

Page 12 of 23

6. Recommended Software Setting Values (Initial code)

LDI : LGPD4524

instruction	data
hard reset	
delay 10ms	
0007	0000
0012	0000
0013	0000
0014	0331
delay 15ms	
0012	0009
0011	0000
0010	0104
0013	0C31
0010	0144
0011	0200
0012	0019
delay 20ms	
0013	2C31
0010	0140
delay 20ms	
0060	2000
0060	0000
0061	0002
0001	011B
0002	0700
0003	1030
0008	0304
0009	0000
000B	5D2C
0021	0000
0030	0101
0031	0604
0032	0007
0033	0403
0034	0007
0035	0402
0036	0606
0037	0304
0038	070E
0039	070E
003A	0101
003B	0101
003C	0101
003D	0101
003E	0101
003F	0101
0042	DB00
0044	AF00
0045	DB00
0071	0040
0072	0002

instruction	data
delay 10ms	
0010	3250
0007	0001
delay 30ms	
0007	0021
0007	0023
delay 30ms	
0007	0037
0022	

standby in	
0007	0036
delay 20ms	
0007	0026
delay 20ms	
0007	0000
delay 10ms	
0010	0004
0012	0000
0013	0000
delay 10ms	
0010	0008
standby out	
0000	0001
delay 10ms	
0010	0000
0014	0331
delay 15ms	
0012	0009
0011	0000
0010	0104
0013	0C31
0010	0144
0011	0200
0012	0019
delay 20ms	
0013	2C31
0010	0140
delay 20ms	
0010	3250
0007	0001
delay 30ms	
0007	0021
0007	0023
delay 30ms	
0007	0037

NOTE: HYES requires the customer to follow the above instructions strictly. If customer would like to change the above instructions, the customer should inform HYES and get re-check from HYES, or the customer will be responsible for any unexpected result because of the change.

Date : Dec. 13, 2007

TECHNICAL SPECIFICATION

HYES

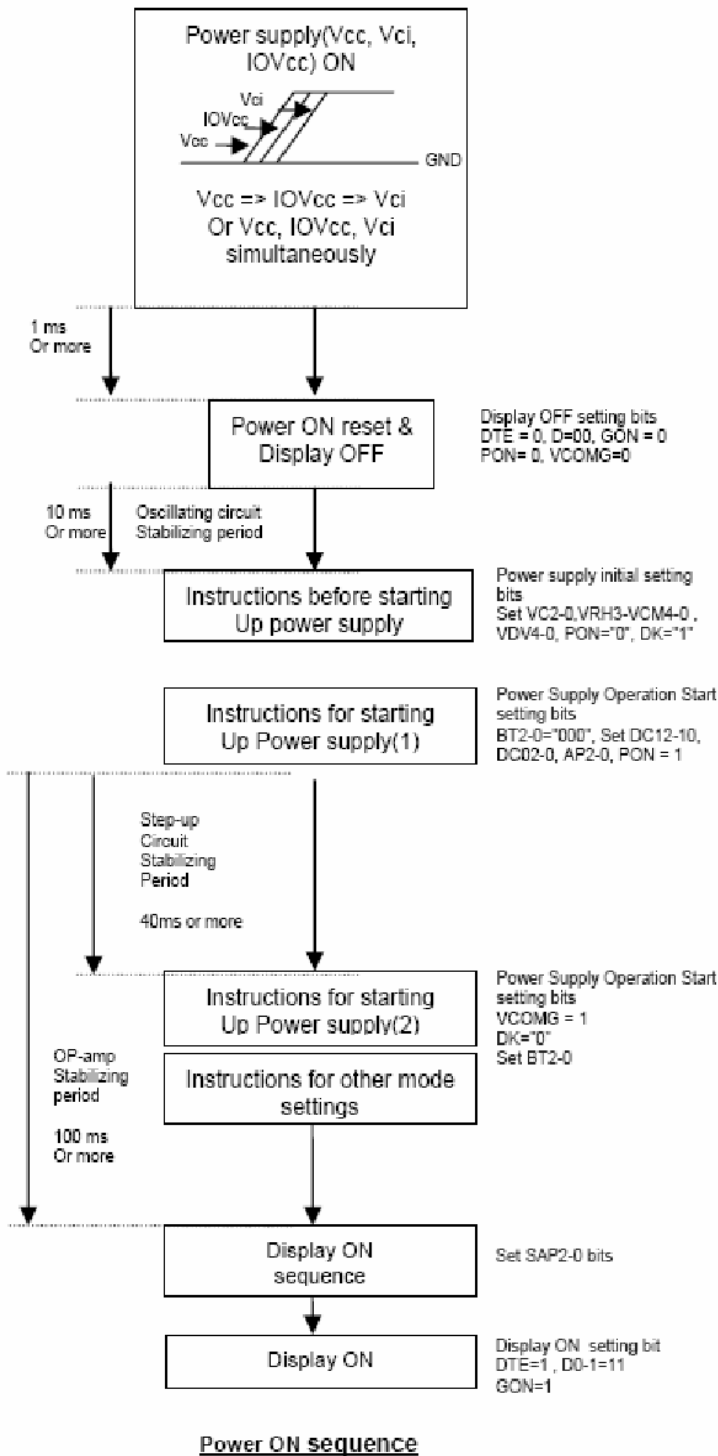
LCM

HT2002L

Page 13 of 23

7. Power Supply Sequence

7.1 Power ON Sequence



Date : Dec. 13, 2007

TECHNICAL SPECIFICATION

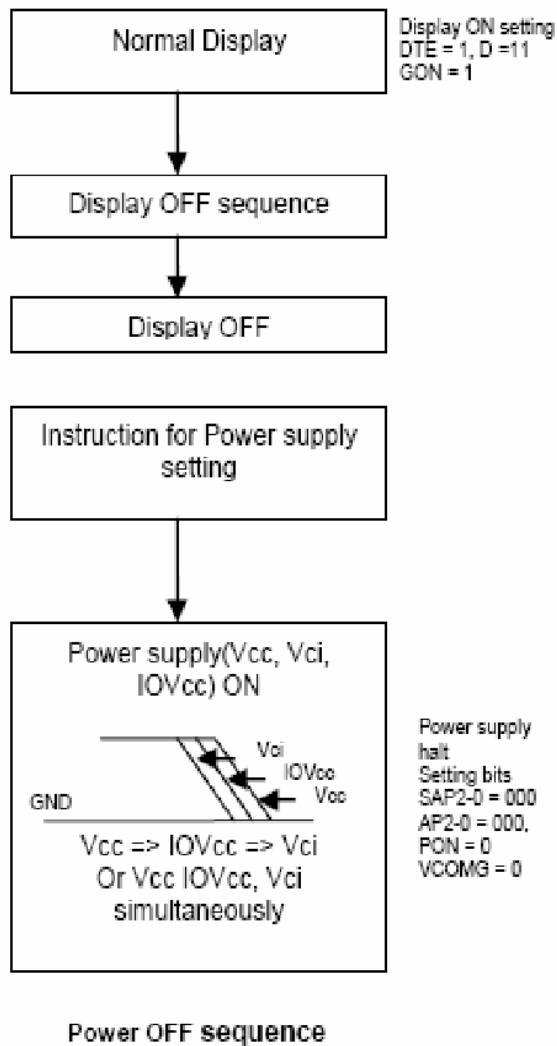
HYES

LCM

HT2002L

Page 14 of 23

7.2 Power OFF Sequence



Date : Dec. 13, 2007

TECHNICAL SPECIFICATION

HYES

LCM

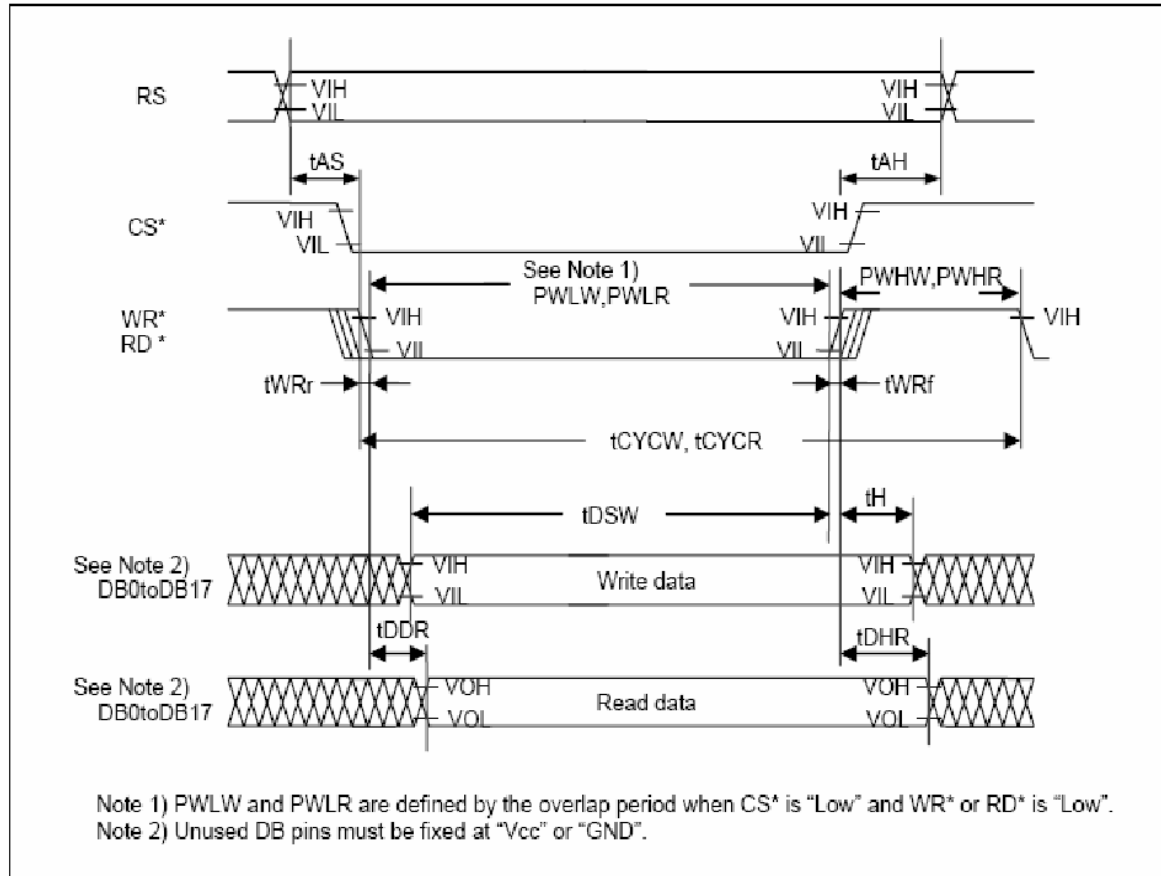
HT2002L

Page 15 of 23

8. Read/Write Timing characteristics (80 series MPU)

1) Read/Write Timing

Timing Characteristics Diagram



80-System Bus Interface Timing Characteristics

Table 75 (Condition: IOVcc = 1.65 to 3.30V, Vcc = 2.50 to 3.30V, VDD = 1.7 to 1.9V)

Item		Symbol	Unit	Min	Typ	Max
Bus cycle time	Write	t_{CYCW}	ns	100	-	-
	Read	t_{CYCR}	ns	250	-	-
Write "Low" level pulse width	Write	P_{WLW}	ns	40	-	-
Read "Low" level pulse width	Read	P_{WLR}	ns	150	-	-
Write "High" level pulse width	Write	P_{HW}	ns	30	-	-
Read "High" level pulse width	Read	P_{HR}	ns	100	-	-
Write/Read rise/fall time		t_{WRr}, t_{WRf}	ns	-	-	25
Setup time	Write (RS to CS*/WR*)	t_{AS}	ns	0	-	-
	Read (RS to CS*/RD*)			10	-	-
Address hold time		t_{AH}	ns	2	-	-
Write data setup time		t_{DSW}	ns	25	-	-
Write data hold time		t_H	ns	2	-	-
Read data delay time		t_{DDR}	ns	-	-	100
Read data hold time		t_{DHR}	ns	5	-	-

Date : Dec. 13, 2007

TECHNICAL SPECIFICATION

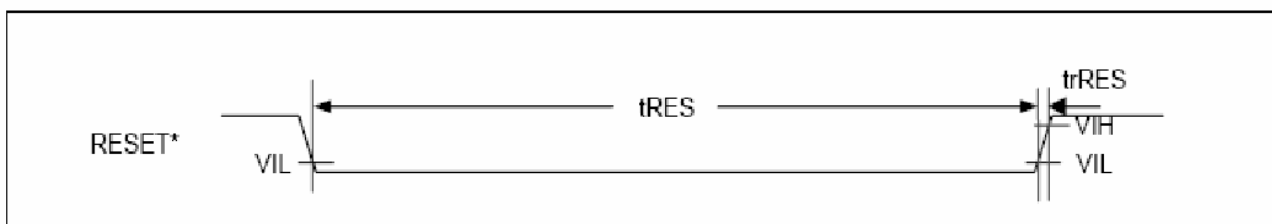
HYES

LCM

HT2002L

Page 16 of 23

Reset Timing characteristics



Reset Timing Characteristics

Table 78 (Condition: IOV_{cc} = 1.65 to 3.30V, V_{cc} = 2.50 to 3.30V, VDD = 1.7 to 1.9V)

Item	Symbol	Unit	Min	Typ	Max
Reset "Low" level width	t _{RES}	ms	1	-	-
Reset rise time	t _{rRES}	us	-	-	10

9. LCD Module Out-Going Quality Level

(1.0) Purpose

The LCD specification provides outgoing provision and its expected quality level based on our outgoing inspection of LCD.

(2.0) Applicable Scope

The LCD specification is applicable to the arrangement in regard to outgoing inspection and quality assurance after it.

(3.0) Quality Specification

(3.1) Quality Level

The quality level of HYES are based on GB/T2828.1, Apply Level II, normal inspection by single sampling.

Rank	Item	AQL	Note
Major(MA)	Segment Short, Missing	0.65	
	Solder Bridging, Cold Solder		
	Outside Dimension		
Minor (MI)	Black Spots, White Spots, Foreign Substance, Pinhole, Segment Deformation, Scratches(Glass & Pol.) Air Bubbles between Glass & Polarizer, Color Variation, Solder Ball, Misalignment	1.0	

Note) AQL- Acceptable Quality Level

(3.2) Appearance Standards

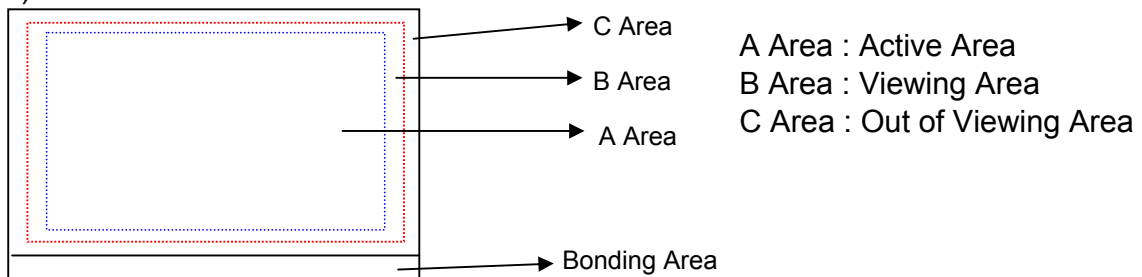
1) Inspection Conditions

The LCD shall be inspected under 20W white fluorescent lamp light.

The distance between the eyes and the sample shall be 30cm.

All directions for inspecting the sample should be within 30° to perpendicular line.

2) Definition of the Area



Date : Dec. 13, 2007

TECHNICAL SPECIFICATION

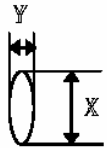
HYES

LCM

HT2002L

Page 18 of 23

(3.3) Appearance Spec

No	Item	Criteria	Rank	Remark																																													
1	Segment Short Segment Missing	Not allowed	MA																																														
2	Solder Bridging	Any bridging between components, except common circuit, is not allowed.	MA																																														
3	Outside Dimension	Drawing & specification must be within permissible tolerance.	MA																																														
4	Cold Solder	Cold solder is not allowed.	MA																																														
5	Black(White) Spots, Foreign Substances	<p>1) Round Type</p> <table border="1"> <thead> <tr> <th rowspan="2">Area Dimension***</th> <th colspan="2">Acceptable Q'ty</th> <th rowspan="2">Remark</th> </tr> <tr> <th>A Area</th> <th>B Area</th> </tr> </thead> <tbody> <tr> <td>≤ 0.1</td> <td colspan="2">Ignore</td> <td rowspan="4"></td> </tr> <tr> <td>≤ 0.2</td> <td>2</td> <td>Ignore</td> </tr> <tr> <td>≤ 0.3</td> <td>1</td> <td>Ignore</td> </tr> <tr> <td>0.3 <</td> <td>0</td> <td>Ignore</td> </tr> </tbody> </table> <p>2) Liner Type</p> <table border="1"> <thead> <tr> <th colspan="2">Dimension</th> <th colspan="2">Acceptable Q'ty</th> <th rowspan="2">Remark</th> </tr> <tr> <th>Length</th> <th>Width</th> <th>A Area</th> <th>B Area</th> </tr> </thead> <tbody> <tr> <td>-</td> <td>≤ 0.025</td> <td colspan="2">Ignore</td> <td rowspan="4"></td> </tr> <tr> <td>≤ 2.5</td> <td>≤ 0.05</td> <td>3</td> <td>Ignore</td> </tr> <tr> <td>≤ 1.5</td> <td>≤ 0.075</td> <td>2</td> <td>Ignore</td> </tr> <tr> <td></td> <td>0.075 <</td> <td colspan="2">Follow round type</td> </tr> </tbody> </table> <p>At (1) & (2) total defect q'ty is must not exceed 5 pieces.</p>	Area Dimension***	Acceptable Q'ty		Remark	A Area	B Area	≤ 0.1	Ignore			≤ 0.2	2	Ignore	≤ 0.3	1	Ignore	0.3 <	0	Ignore	Dimension		Acceptable Q'ty		Remark	Length	Width	A Area	B Area	-	≤ 0.025	Ignore			≤ 2.5	≤ 0.05	3	Ignore	≤ 1.5	≤ 0.075	2	Ignore		0.075 <	Follow round type		MI	 <p>*** : Mean Diameter (X + Y)/2</p>
Area Dimension***	Acceptable Q'ty			Remark																																													
	A Area	B Area																																															
≤ 0.1	Ignore																																																
≤ 0.2	2	Ignore																																															
≤ 0.3	1	Ignore																																															
0.3 <	0	Ignore																																															
Dimension		Acceptable Q'ty		Remark																																													
Length	Width	A Area	B Area																																														
-	≤ 0.025	Ignore																																															
≤ 2.5	≤ 0.05	3	Ignore																																														
≤ 1.5	≤ 0.075	2	Ignore																																														
	0.075 <	Follow round type																																															
6	OC Spot	<table border="1"> <thead> <tr> <th rowspan="2">Area Dimension***</th> <th colspan="2">Acceptable Q'ty</th> <th rowspan="2">Remark</th> </tr> <tr> <th>A Area</th> <th>B Area</th> </tr> </thead> <tbody> <tr> <td>≤ 0.2</td> <td colspan="2">Ignore</td> <td rowspan="3"></td> </tr> <tr> <td>≤ 0.8</td> <td>3</td> <td>Ignore</td> </tr> <tr> <td>≤ 1.0</td> <td>1</td> <td>Ignore</td> </tr> </tbody> </table>	Area Dimension***	Acceptable Q'ty		Remark	A Area	B Area	≤ 0.2	Ignore			≤ 0.8	3	Ignore	≤ 1.0	1	Ignore	MI																														
Area Dimension***	Acceptable Q'ty			Remark																																													
	A Area	B Area																																															
≤ 0.2	Ignore																																																
≤ 0.8	3	Ignore																																															
≤ 1.0	1	Ignore																																															
7	Air Bubbles Between Glass & Polarizer (Polarizer Defects)	<table border="1"> <thead> <tr> <th rowspan="2">Area Dimension***</th> <th colspan="2">Acceptable Q'ty</th> <th rowspan="2">Remark</th> </tr> <tr> <th>A Area</th> <th>B Area</th> </tr> </thead> <tbody> <tr> <td>≤ 0.15</td> <td colspan="2">Ignore</td> <td rowspan="5"></td> </tr> <tr> <td>≤ 0.3</td> <td>3</td> <td>Ignore</td> </tr> <tr> <td>≤ 0.5</td> <td>2</td> <td>Ignore</td> </tr> <tr> <td>≤ 0.7</td> <td>1</td> <td>Ignore</td> </tr> <tr> <td>Total</td> <td>5</td> <td>Ignore</td> </tr> </tbody> </table>	Area Dimension***	Acceptable Q'ty		Remark	A Area	B Area	≤ 0.15	Ignore			≤ 0.3	3	Ignore	≤ 0.5	2	Ignore	≤ 0.7	1	Ignore	Total	5	Ignore	MI																								
Area Dimension***	Acceptable Q'ty			Remark																																													
	A Area	B Area																																															
≤ 0.15	Ignore																																																
≤ 0.3	3	Ignore																																															
≤ 0.5	2	Ignore																																															
≤ 0.7	1	Ignore																																															
Total	5	Ignore																																															

Date : Dec. 13, 2007

TECHNICAL SPECIFICATION

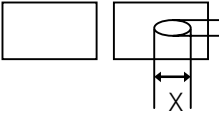
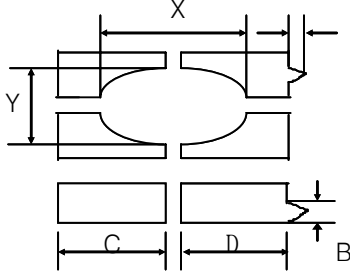
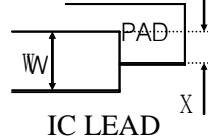
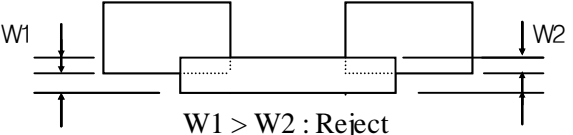
HYES

LCM

HT2002L

Page 19 of 23

(3.3) Appearance Spec

No	Item	Criteria	Rank	Remark								
8	Pin hole (On Segment)	 <p> $(X+Y)/2 \leq 0.2\text{mm}$ Within 1 per one segment (Less than 0.1mm is not counted) Total defects q'ty is must not exceed 5 pieces. </p>	MI									
9	Segment Deformation	 <p> $(X+Y)/2 \leq 0.2\text{mm}$ $A \leq 0.2\text{mm}$ $B \leq 0.2\text{mm}$ $(C-D) \leq 0.2\text{mm}$ </p> <table border="1" data-bbox="518 862 1173 996"> <thead> <tr> <th></th> <th>Acceptable Q'ty</th> </tr> </thead> <tbody> <tr> <td>Dot, Segment</td> <td>1</td> </tr> <tr> <td>LCD</td> <td>5</td> </tr> <tr> <td>≤ 0.1</td> <td>Ignore all defect</td> </tr> </tbody> </table> <p>Each visible dot must be more than half effective dot area</p>		Acceptable Q'ty	Dot, Segment	1	LCD	5	≤ 0.1	Ignore all defect	MI	$(X + Y)/2 \leq 0.2\text{mm}$
	Acceptable Q'ty											
Dot, Segment	1											
LCD	5											
≤ 0.1	Ignore all defect											
10	Color Variation	Within the three colors, except LCD Standard color is acceptable.	MI									
11	Glass & Polarizer Scratch	Follow NO.5(2) condition	MI									
12	Solder Ball	1)Acceptable if the size of void is less than 0.18mm 2)Acceptable if a solder ball is not movable 3)Rejectable if the solder ball exceed 5EA in $2.54 \times 2.54\text{mm}$ area.	MI									
13	Miss Alignment	1)Acceptable if it dose not exceed 50% of the lead width IC.  <p> $X \leq W/2$: Accept $X > W/2$: Reject </p> <p>IC LEAD</p> 2)Rejectable, provided that it does exceed 50% of the component termination width.  <p> $W1 > W2$: Reject </p>										

Note : A limitation sample is given top priority

Date : Dec. 13, 2007

TECHNICAL SPECIFICATION

HYES

LCM

HT2002L

Page 20 of 23

(4.0) Reliability Condition

Item	Content
Room Temperature Operation	50,000 hrs

(4.1) Reliability Test

No.	Item	Condition	Test Time	Sample Numbers	Creteria (Acc/Rej)	Note
1	High Temp Operation	70 ± 2 °C	120 hrs	3	0/1	
2	Low Temp Operation	-20 ± 2 °C	120 hrs	3	0/1	
3	High Humidity Storage	60 °C 90%rh	120 hrs	3	0/1	
4	Thermal Shock	30mn stage -20 °C ↔70 °C	100 cycles /6days	3	0/1	

(4.2) Criteria

- a. No changes for indication and appearance.
- b. Leave the all samples under roon temperature 4 hours after reliability test ends.

10. LCD Module Operation Instruction

Part I. How to use the LCD Module

1. Don't hit the LCD Panel in any way because the LCD is made of glass.
2. Don't clean the surface of LCD with hard things. Please clean LCD with Air-gun or very soft cloth when necessary. The protective film on the POL can be removed just before assembly, otherwise, dust, spit or other foreign matter may attached on the LCD under the protective film. After the protective film is removed, only air-gun can be used to remove any dust or foreign matter. Fingure or cloth MUST NOT be used in such cases.
3. No chemical liquid is allowed to clean the LCD, such as alcohol, acetone and IPA. All of these candamage the LCD. Water on the LCD must be cleaned as soon as possible, for it will cause POL color change or other defect.
4. Please move and assemble LCD very carefully during assembly, and don't push or twist it.
5. Don't damage the FPC of LCD module. It will cause permanent defect.
6. Don't disassemble LCD module. It will cause permanent defect.
7. Don't expose LCD module under sunshine, strong fluorescence or ultraviolet radiation.
8. Please make sure that operators wear static-protective bands effectively and working tables are effectively earthing during operation.
9. Please place LCD module on the tray provided by HYES while moving it, in order to avoid mechanical damage. Hold the module's side frames to avoide damage during moving.
10. Don't twist, disassemble, squeeze or hit the PCB. It will damage the circuit or component on PCB and cause functional defect.
11. Please use the connector according to the instruction provided by HYES.
12. Please place dual module with the sub-panel upward. Trays should be placed in contrary direction. An empty tray should be placed on the top.
13. Sealing operation on PCB must be very careful to avoid short or cut the original circuit on PCB. Otherwise, it will cause permanant damage to the LCD.
14. Don't add direct DC or high voltage to LCD panel. It will cause functional damage to the LCD or shorten the life of LCD product.
15. LCD may respond slowly or display abnormally in extrem temperature (lower than -20°C or higher than 50°C). But this doesn't mean LCD functional defect. LCD will display normally in regular temperature. Therefore, don't use LCD product in extrem temperature.

Date : Dec. 13, 2007

TECHNICAL SPECIFICATION

HYES

LCM


HT2002L

Page 22 of 23

16. Don't push the display area of LCD panel, it will cause abnormal display. This doesn't mean LCD functional defect, neither. LCD will display normally in regular temperature.
17. Electrical test of LCD product is made by using mobile phone provided by Customer. We can use special test equipment to do the test, also.
18. The black band on IC on LCD product is used to protect the IC from light. Please do NOT remove it.
19. Please take great care to use connector. Customer should be responsible for connector defect caused by operation on Customer side.

Part II Storage

1. Physical status of liquid crystal will change in extrem temperature, and it can not be resumed when the temperature returns to be normal. So LCD module should be stored in required temperature.
2. LCD module should be stored in required humidity. Low humidity may add static, while high humidity may corrode the ITO circuit of LCD product. The suitable storage environment is: temperature: $22 \pm 5^{\circ}\text{C}$, humidity: $55\% \pm 10\%$.
3. Don't expose LCD module under sunshine, strong fluorescence or ultraviolet radiation for a long time. It should be stored in dark area.
4. LCD should be stored in static-protective polythene bag. Don't expose it in the air for a long time.

Date : Dec. 13, 2007		TECHNICAL SPECIFICATION	
	LCM	HT2002L	Page 23 of 23