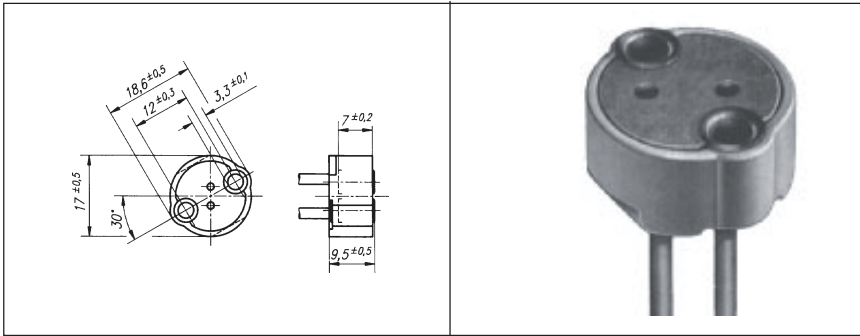


## 6.35mm Base Lampholders



### H912

**Lamp Base** GZ6.35,(MR-16)  
GY6.35  
G6.35-1.25  
G6.35  
G6.35-1.0  
Ceramic

**Holder Maximum Ratings** 50 Volts  
12 Amps  
230°C

**Wire** 18 AWG Stranded  
Teflon Insulation  
140mm Wire Length

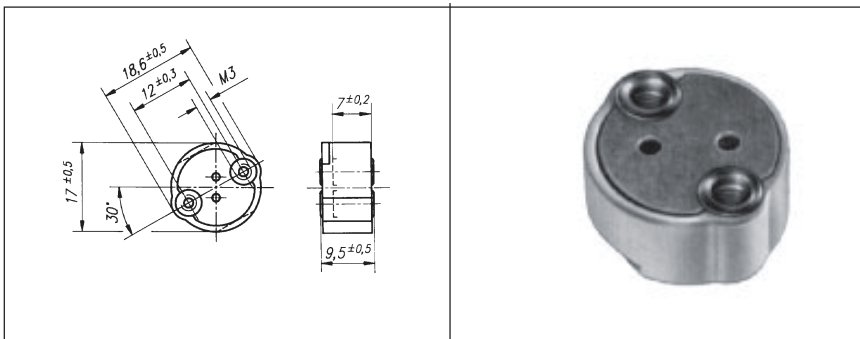
**H912-220** 220mm Wire Length

**H912-260** 255mm Wire Length

**H912-460** 460mm Wire Length

**H912-M3** M-3 Threaded  
Mounting Inserts

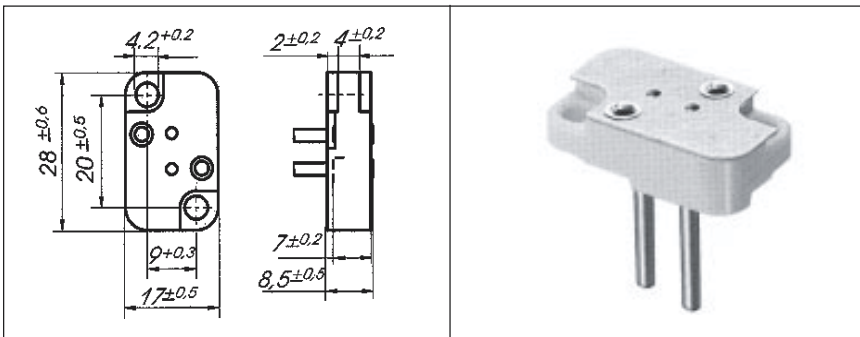
**H912-M3-255** M-3 Threaded  
Mounting Inserts  
255mm Wire Length



### HX913

**Lamp Base** GZ6.35 (MR-16)  
GY6.35  
G6.35  
Ceramic

**Holder Maximum Ratings** 24 Volts  
12.5 Amps  
230°C

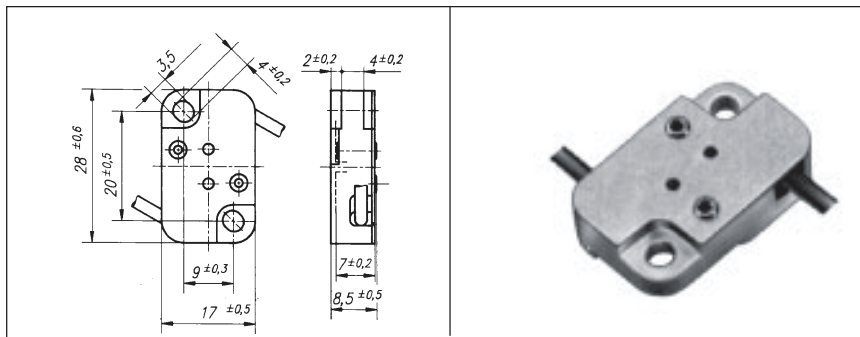


### H701A

**Lamp Holder** GY6.35  
G6.35-1.25  
GX6.35  
G6.35  
G6.35-1.0  
GZ6.35  
Ceramic

**Holder Maximum Ratings** 250 Volts  
12 Amps  
230°C

**Wire** 18 AWG Stranded  
Teflon Insulation  
140mm Wire Length



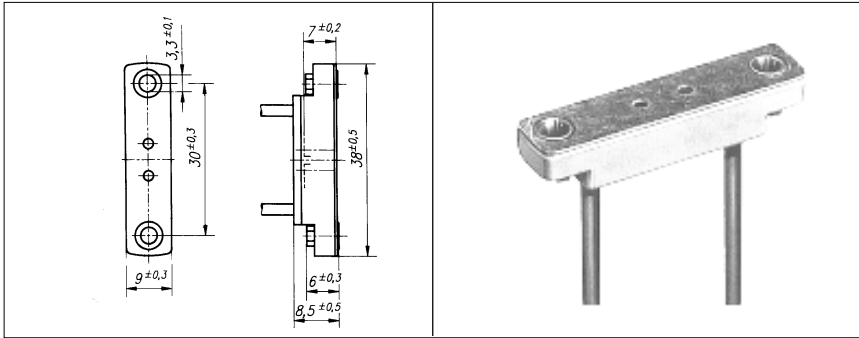
### H7010A

**Lamp Base** GY6.35  
**Holder** Ceramic

**Maximum Ratings** 250 Volts  
12 Amps  
230°C

**Wire** 18 AWG Stranded  
Teflon Insulation  
220mm Wire Length

## 6.35mm Base Lampholders

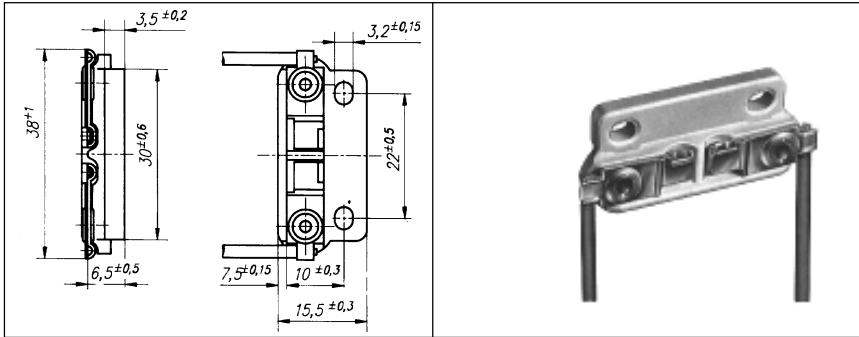


### H918

**Lamp Base** GY6.35  
G6.35-1.25  
GX6.35  
G6.35  
G6.35-1.0  
GZ6.35 (MR-16)  
Ceramic

**Holder Maximum Ratings** 250 Volts  
6 Amps  
230°C

**Wire** 18 AWG Stranded  
Teflon Insulation  
220mm Wire Length

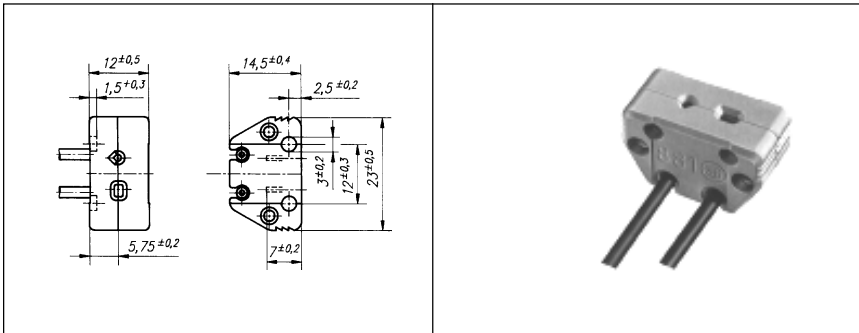


### H998

**Lamp Base** G6.35  
G6.35-1.0  
Ceramic

**Holder Maximum Ratings** 50 Volts  
10 Amps  
200°C

**Wire** 18 AWG Stranded  
Silicone Insulation  
140mm Wire Length

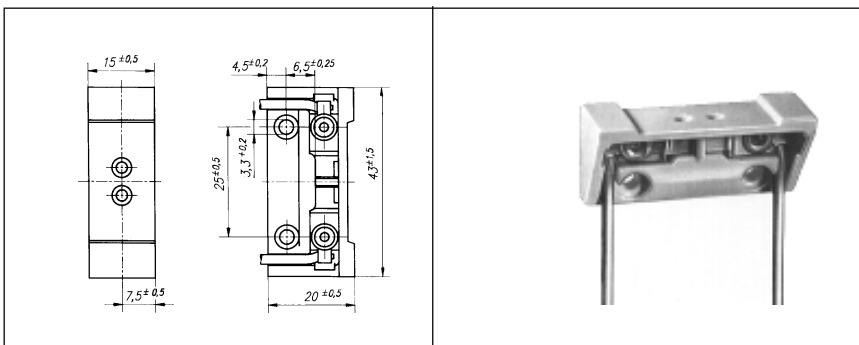


### H881

**Lamp Base** GZ6.35  
G6.35  
G6.35-1.0  
Ceramic

**Holder Maximum Ratings** 250 Volts  
10 Amps  
230°C

**Wire** 18 AWG Stranded  
Silicone Insulation  
140mm Wire Length

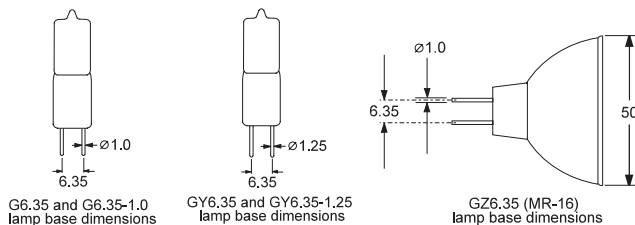


### H993

**Lamp Base** GY6.35  
G6.35-1.25  
Ceramic

**Holder Maximum Ratings** 250 Volts  
10 Amps  
200°C

**Wire** 18 AWG Stranded  
Silicone Insulation  
130mm Wire Length



G6.35 and G6.35-1.0  
lamp base dimensions

GY6.35 and GY6.35-1.25  
lamp base dimensions

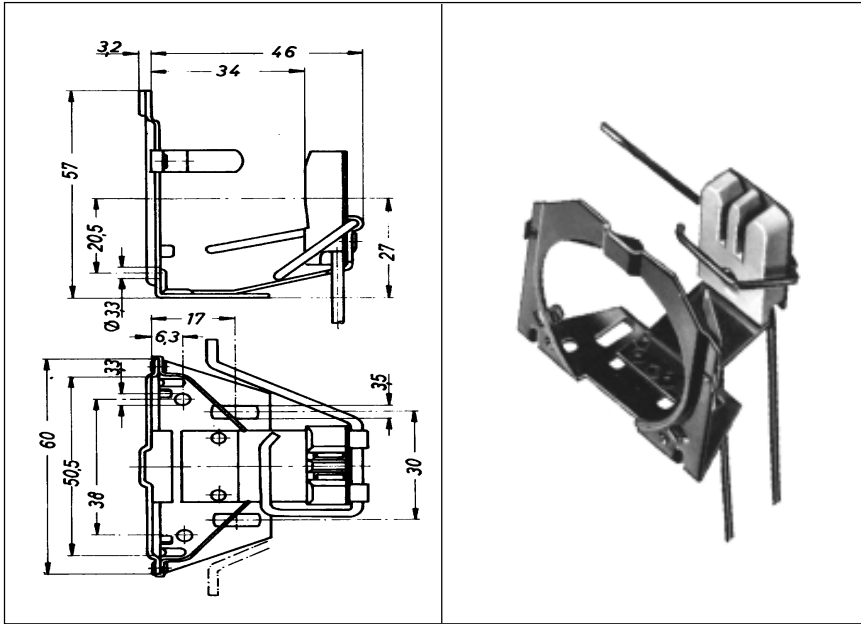
GZ6.35 (MR-16)  
lamp base dimensions

Telephone: 781-935-4442  
Fax: 781-938-5867

sales@gilway.com  
www.gilway.com

**Gilway**  
Technical Lamp  
Engineering Catalog 169

## 6.35mm Base Lampholders



### H705

**Lamp Base Holder** GZ6.35 (MR-16)  
Ceramic/Metal

**Maximum Ratings**  
250 Volts  
10 Amps  
230°C

**Wire**  
18 AWG Stranded  
Silicone Insulation  
130mm Wire Length