

PART NUMBER	ITEM NUMBER	M3 THREADED INSERT
SDA-71624-2000	051-25-1040	YES
SDA-71624-2004	71624-2004	NO

REV.	DATE	BY	CHK'D.	REVISIONS
K	11/29/95			REVISED PER ECN# U6-0641 DRS
J	04/11/95			REVISED PER ECN# U5-0846 DRS
I	04/11/95			REVISED PER ECN# U40676 DKS
L	96/11/08			REVISED PER ECN U7-0417 SCHMIDG
M	04/04/16			LEADFREE ECN# UCP2004-1998 DMORGAN

PL.	DATE	BY	CHK'D.	REVISIONS
3				PLACE ± .010
2				PLACE ± --- ± ---
1				PLACE --- ± ---

DIMENSIONS SHOWN (METRIC) INCH UNLESS OTHERWISE SPECIFIED TOLERANCES ANGULAR ± 1/2°		REVISIONS	
DRAWING TITLE: .050" PITCH LFH 160 CKT. RIGHT ANGLE I/O MALE SALES ASSEMBLY		MFG. SH. REV.	
DRAWING NO. SDA-71624-200*		SHEET NO. 1 OF 2	
DATE 9/11/91		U.S.A.	
MOLEX INCORPORATED		LISLE, ILL. 60532	
DRAWN BY CAB		SCALE 4: 1	
FILE NAME 57162421.DWG		DIV. CD	

2	M
1	M
MFG. SH. REV.	

NOTES:

1) MATERIALS:

HOUSING: GLASS FILLED LCP (LIQUID CRYSTAL POLYMER),
UL 94V-0, COLOR: BLACK.
TAIL ALIGNER: GLASS FILLED LCP (LIQUID CRYSTAL POLYMER)
UL 94V-0, COLOR: BLACK.
MOLDED STICK: GLASS FILLED LCP (LIQUID CRYSTAL POLYMER)
UL 94V-0, COLOR: BLACK.
MALE CONTACT: PHOS. BRONZE .012±.0005 THICK.
OUTER SHELL: LOW CARBON STEEL.
THREADED INSERT: BRASS.

2) PLATING :

TERMINAL: .000030/(0.00076) MINIMUM GOLD IN SELECTIVE AREA;
.000100/(0.00254) TIN IN SELECTIVE AREA;
OVER NICKEL UNDERPLATE OVERALL.

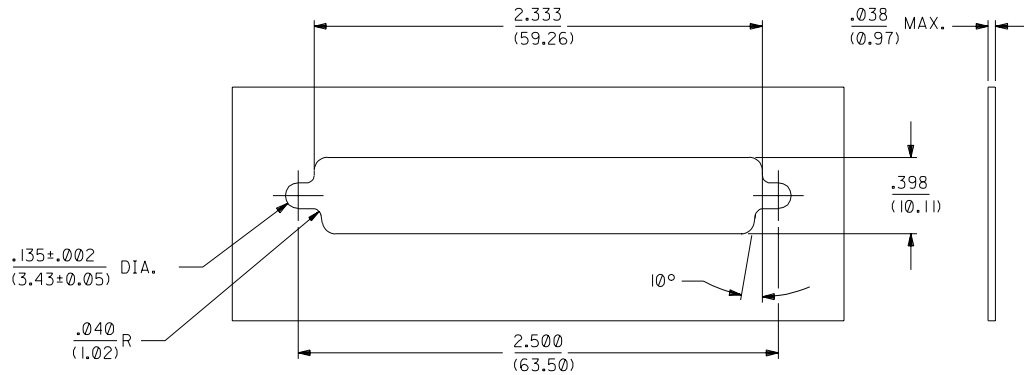
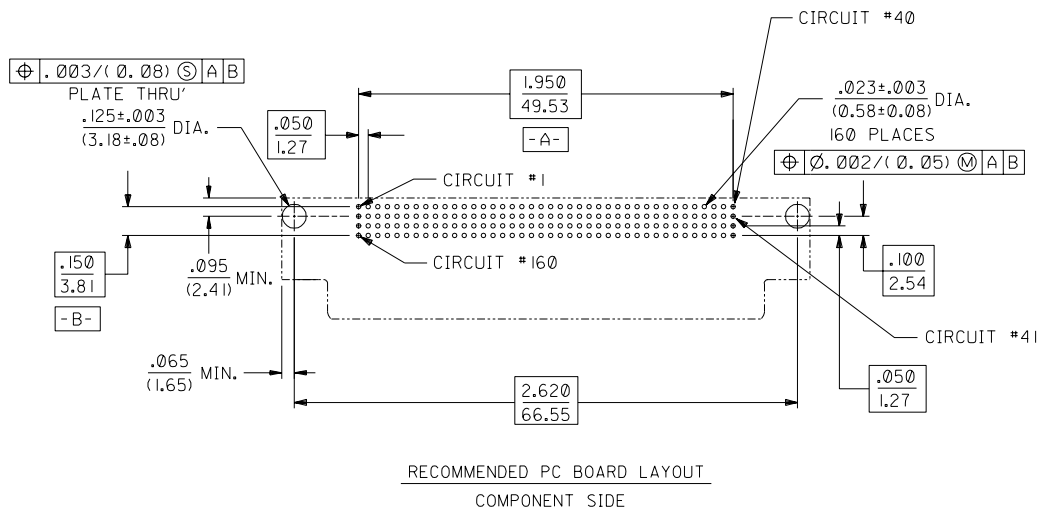
OUTER SHELL: .000150/(0.00381) MINIMUM TIN OVER
.000050/(0.00127) MINIMUM NICKEL OVER
COPPER FLASH (OPTIONAL).

3) THIS PART CONFORMS TO MOLEX PRODUCT SPECIFICATION PS-71626.

4) PACKAGING SPECIFICATION PK-70873-0224 APPLIES.

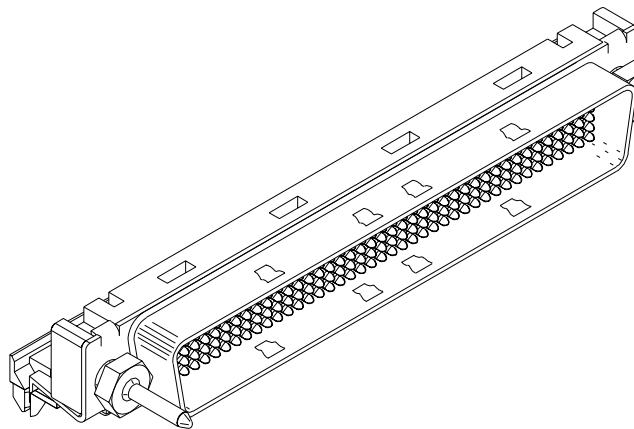
NOTE FOR LEAD FREE CONVERSION:

THE PRIMARY SHIPPING CARTON WILL BE
LABELED "COMPLIANT TO RoHS DIRECTIVE
2002/95/EC AND ELV ANNEX II OF
DIRECTIVE 2000/53/EC". CARTONS
WITHOUT THIS LABEL MAY CONTAIN
PRODUCT WITH LEAD.



PANEL CUT-OUT DIMENSIONS
ALL TOLERANCES ±.003/(0.08)
UNLESS OTHERWISE STATED.

FOR OPTIONAL HARDWARE DETAILS
SEE SDA-71628-*****



M		SEE SHEET I	DIMENSIONS SHOWN (METRIC) INCH		▽ = 0 ▽ = 0 REVISE ONLY ON CAD SYSTEM	
K		SEE SHEET I	UNLESS OTHERWISE SPECIFIED TOLERANCES: ANGULAR ± 1/2°		TITLE .050" Pitch LFH 160 Ckt. Right Angle I/O Male Sales Assembly	
J		SEE SHEET I	3 PLACE ± .010 ---		MOLEX INCORPORATED SHEET NO. DATE LITSE,ILL. 60532 U.S.A. 2 9/12/91	
LTR.		REVISIONS	2 PLACE ± --- ± ---		PART NO. DRWG. NO. SEE SHEET I SDA-71624-200*	
LTR.		REVISIONS	1 PLACE --- ± ---		FILE NAME DIV. SIZE 57162422 001 MOLEX INC. AND SHOULD NOT BE USED WITHOUT WRITTEN PERMISSION. CD C	
			DRAFT WHERE APPLICABLE MUST REMAIN WITHIN DIMENSIONS			
			DRWG. BY CAB CHK'D BY BIXLER			
			APP'D BY CAB SCALE 2: 1			