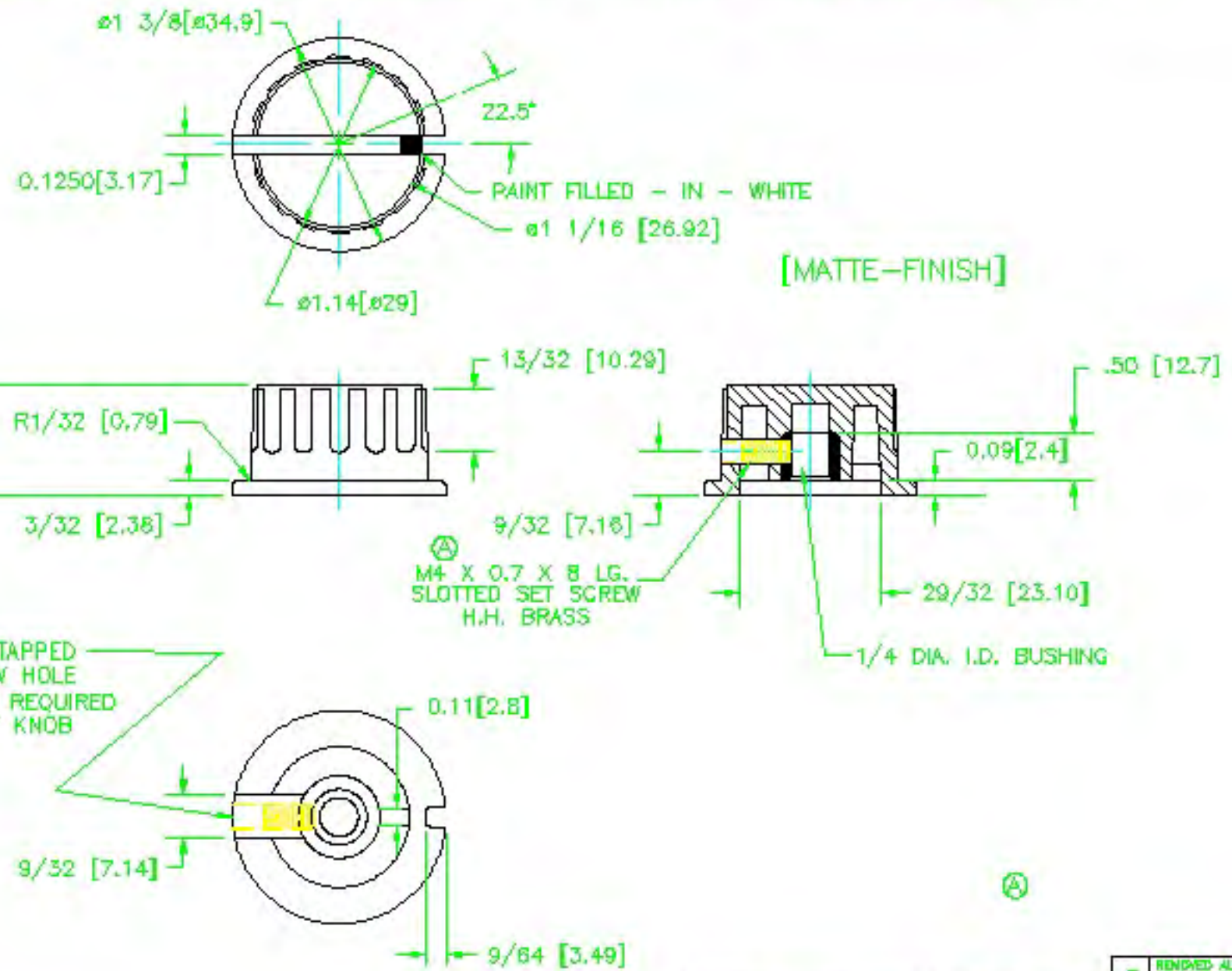


THIS DRAWING IS THE PROPERTY OF DAVIES MOLDING COMPANY, IS SUBMITTED SOLELY AS A DESIGN OR ENGINEERING PROJECT. WE ACCEPT NO RESPONSIBILITY WHATSOEVER FOR THE PRACTICAL APPLICATION OF THE PIECES MADE TO THIS DESIGN.



MATERIAL : PHENOLIC
COLOR : BLACK

TOLERANCES: UNLESS OTHERWISE SPECIFIED	DO NOT SCALE DRAWING	- ROUNDED ALTERNATE SET SCREW	JAM	8/8/01
DECIMALS: X.XXX ± .005 X.XX ± .015	MM: X.XX ± 0.15MM X.X ± 0.4MM	B ALTERNATE M4 METRIC	JAM	5/5/01
FRACTIONS ± 1/64	ANG. ± 1'	A ADDED SET SCREW DETAIL AND ALTERNATE M4 METRIC SET SCREW	RF	7/7/98
CHANGES				

Mouser Electronics

Authorized Distributor

Click to View Pricing, Inventory, Delivery & Lifecycle Information:

[Davies Molding:](#)

[1155](#)