

A unique bright identification coding for both free cable plugs and sockets.

Pack of 25 collars supplied in a polythene bag.

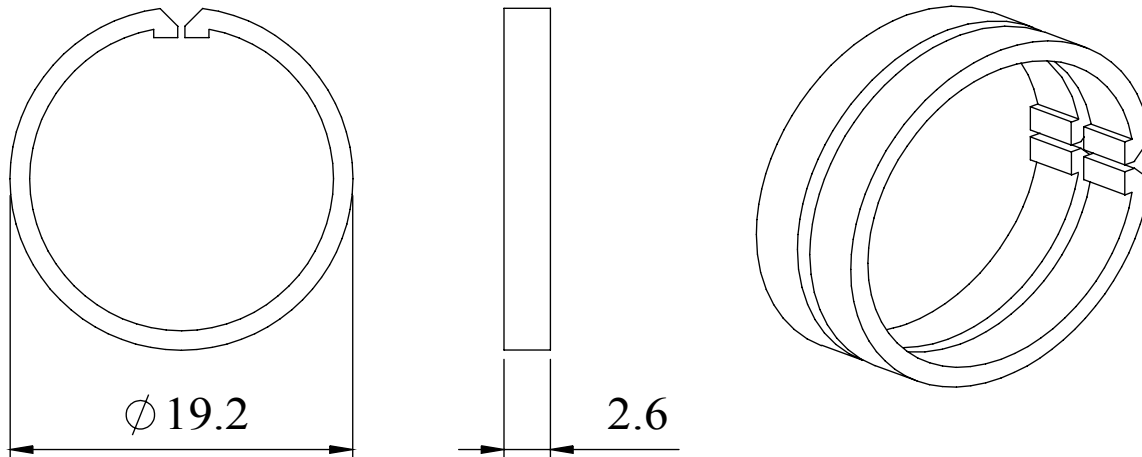
Or a mixed bag of 50 rings, containing 5 rings of each colour/number.

- full annular ring prevents the collars from falling off.
- collars colour coded for easy identification.

Material :-

ACETAL C 27021

Dimensions



COLOUR	CODE
BLACK	728-000
BROWN	728-0100
RED	728-0200
ORANGE	728-0300
YELLOW	728-0400
GREEN	728-0500
BLUE	728-0600
VIOLET	728-0700
GREY	728-0800
WHITE	728-0900
MIXED BAG 50 RINGS	728-0050

Tel No. +44(0)1724 273200 Website www.dem-uk.com

PROPRIETARY AND CONFIDENTIAL

THE INFORMATION CONTAINED IN THIS DRAWING IS THE SOLE PROPERTY OF ALPHA 3 MANUFACTURING. ANY REPRODUCTION IN PART OR AS A WHOLE WITHOUT THE WRITTEN PERMISSION OF ALPHA 3 MANUFACTURING IS PROHIBITED.

UNLESS OTHERWISE SPECIFIED: DIMENSIONS ARE IN MILLIMETRES LINEAR TOLERANCE:

NO DECIMAL PLACES $\pm 0.5\text{mm}$
 1 DECIMAL PLACE $\pm 0.25\text{mm}$
 2 DECIMAL PLACES $\pm 0.125\text{mm}$
 ANGULAR TOLERANCE: $\pm 1^\circ$

DEM Manufacturing, Deltron Emcon House
 Hargreaves Way, Sawcliffe Ind. Park,
 Scunthorpe, North Lincolnshire, DN15 8RF, UK

FINISH

CHANNEL IDENTIFICATION SYSTEM

IF IN DOUBT ASK
 DO NOT SCALE DRAWING

MATERIAL

SEE NOTE

DEBURR AND BREAK SHARP EDGES

DRAWN BY

APPROVED BY

THIRD ANGLE PROJECTION



SPB

WC

SHEET 1 OF 1

SCALE 1:1
 A4

TITLE GENERAL SPECIFICATION
 728 SERIES

DRAWING NO.
 728 SERIES

ISSUE **04**
 Release



Mouser Electronics

Authorized Distributor

Click to View Pricing, Inventory, Delivery & Lifecycle Information:

[Deltron:](#)

[728-0050 MIXED PACK 50](#)