

40 CH Driver for Dot Matrix LCD

## FEATURES

- Display driving bias ; static-1/5
- Power supply voltage ;  $V_{DD} = +5V \pm 10\%$   
 $V_{DD} = +3V \pm 10\%$
- Supply voltage range for display :  $\leq 10V$
- Negative display voltage :  
 $0 \geq V_{EE} \geq V_{DD} - 10V$
- Interface

Driver (cascade connection)	Controller
Other APU0065	APU0066

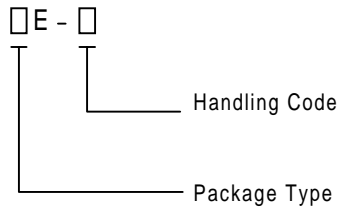
## GENERAL DESCRIPTION

The APU0065 is a LCD driver LSI that is fabricated by low power CMOS technology. Basically this LSI consists of  $20 \times 2$  bit bi-directional shift register,  $20 \times 2$  bit data latch and  $20 \times 2$  bit driver. This LSI can be CMOS Process used a Common or Segment driver.

## APPLICATIONS

- Dot matrix LCD driver with 40 channel output.
- Selectable function to use Common / Segment drivers simultaneously.
- Input / Output signal
- Output ;  $20 \times 2$  channel waveform for LCD driving
- Input ; - Serial display data and control pulse from the controller LSI .
- Bias voltage ( $V_1 - V_6$ )
- QFP64 and bare chip available

## ORDERING INFORMATION

<p>APU0065    □ E - □</p> 	<p>Package Type                  Q : QFP                  Y : Chip</p> <p>Handling Code                  TY : Tray</p>
---	--

ANPEC reserves the right to make changes to improve reliability or manufacturability without notice, and advise customers to obtain the latest version of relevant information to verify before placing orders.

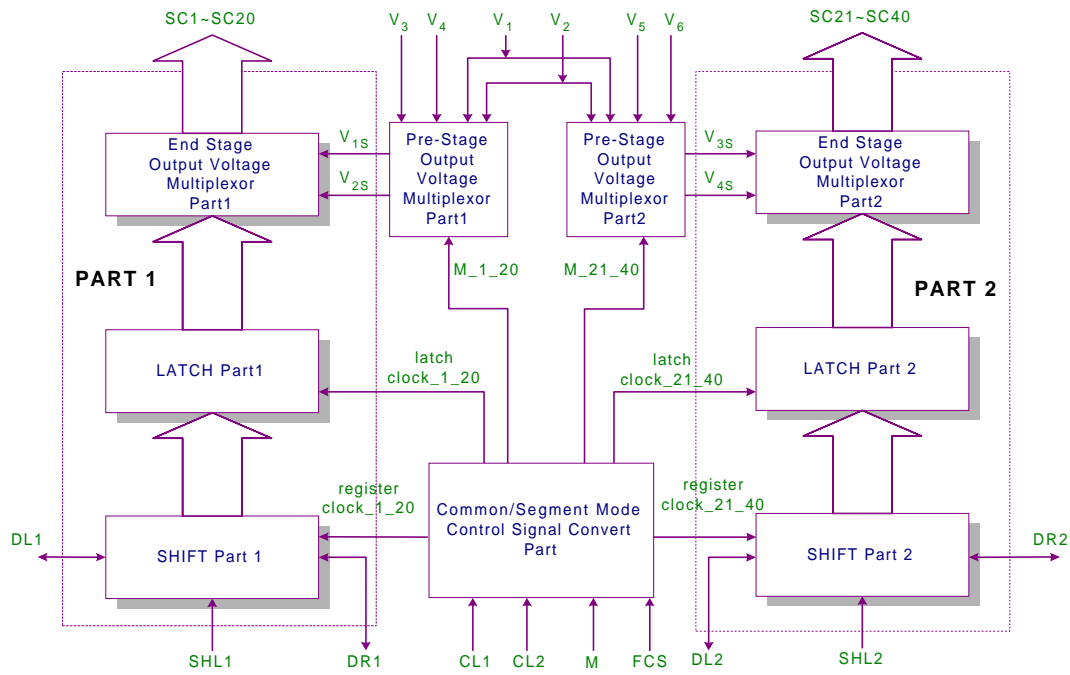


Figure 1. Block diagram of APU0065

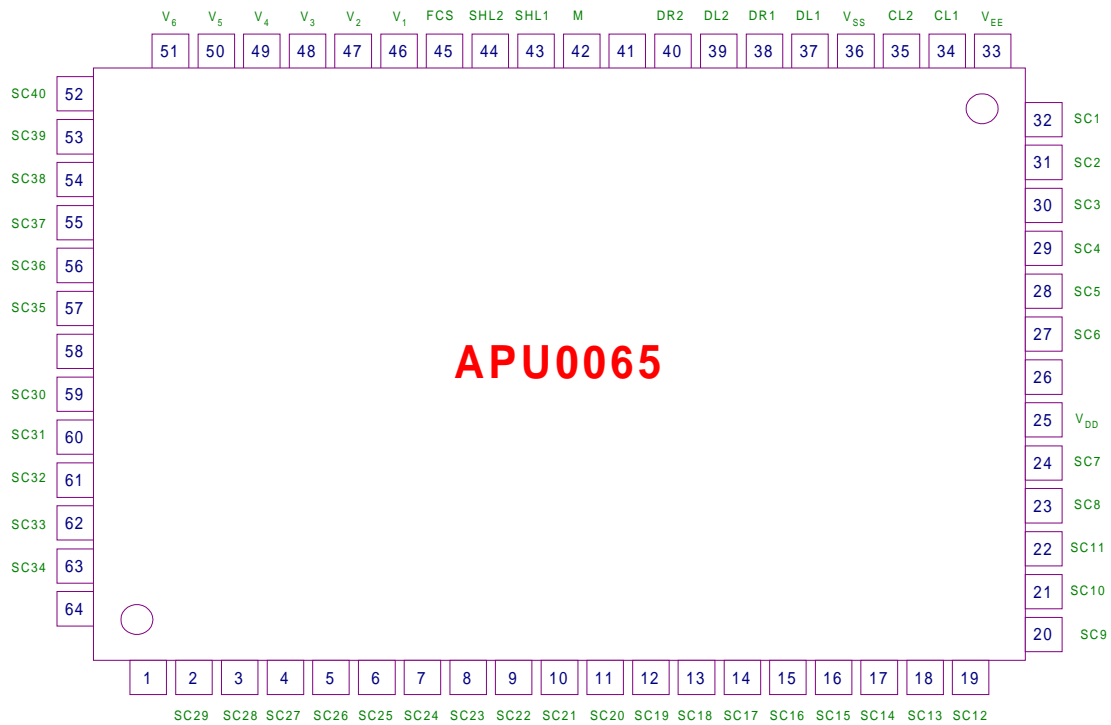

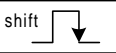

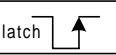

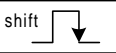

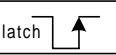

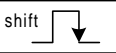

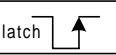


Figure 2. QFP 64 Top View

**PIN DESCRIPTION-QFP100**

PAD (NO.)	INPUT/OUTPUT	NAME	DESCRIPTION	INTERFACE												
V <sub>EE</sub> (33)	Power	Negative Supply Voltage	For LCD driver circuit( $0 \geq V_{EE} \geq V_{DD} - 10V$ )	Power Supply												
V <sub>DD</sub> (25)	Power	Operating Voltage	For logical circuit ( $+5V \pm 10\%$ , $+3V \pm 10\%$ )	Power Supply												
V <sub>SS</sub> (36)	Power	Operating Voltage	0V (GND)	Power Supply												
V <sub>1</sub> ~ V <sub>6</sub> (46 ~ 51)	Input	Bias Voltage	Bias Voltage level for LCD drive	Power Supply												
M (42)	Input	Altemated signal for LCD driver output	This is the signal for LCD twisting	Controller												
CL1, CL2 (34, 35)	Input	Data shift / latch clock	These signal control the shift and latch of driver. More detail scription in next line <b>FCS</b> .	Controller												
FCS (45)	Input	Mode selection	<p>If FCS equals to V<sub>SS</sub>, Part1 and Part2 both are segment mode.                      If FCS equals to V<sub>DD</sub>, Part1 is segment mode but Part2 is common mode .</p> <table border="1" style="margin-left: auto; margin-right: auto;"> <thead> <tr> <th>Mode</th> <th>CL1</th> <th>CL2</th> <th>M</th> </tr> </thead> <tbody> <tr> <td>Segment</td> <td>latch </td> <td>shift </td> <td>M</td> </tr> <tr> <td>Common</td> <td>shift </td> <td>latch </td> <td><math>\bar{M}</math></td> </tr> </tbody> </table>	Mode	CL1	CL2	M	Segment	latch 	shift 	M	Common	shift 	latch 	$\bar{M}$	Controller
Mode	CL1	CL2	M													
Segment	latch 	shift 	M													
Common	shift 	latch 	$\bar{M}$													
SHL1 (43)	Input	Shifting direction control signal of Part1	Selection of the shift direction of Part 1 shift register <table border="1" style="margin-left: auto; margin-right: auto;"> <thead> <tr> <th>SHL1</th> <th>DL1</th> <th>DR1</th> </tr> </thead> <tbody> <tr> <td>V<sub>DD</sub></td> <td>output</td> <td>input</td> </tr> <tr> <td>V<sub>SS</sub></td> <td>input</td> <td>output</td> </tr> </tbody> </table>	SHL1	DL1	DR1	V <sub>DD</sub>	output	input	V <sub>SS</sub>	input	output	Controller			
SHL1	DL1	DR1														
V <sub>DD</sub>	output	input														
V <sub>SS</sub>	input	output														
DL1, DR1 (37, 38)	Input Output	Data interface	Data input / output of Part1 shift register	Controller or APU0063												
SC1 ~ SC20	Output	LCD driver	LCD driver output of Part1	LCD												
SHL2 (44)	Input	Shifting direction control signal of Part2	Selection of the shift direction of Part 2 shift register <table border="1" style="margin-left: auto; margin-right: auto;"> <thead> <tr> <th>SHL2</th> <th>DL2</th> <th>DR2</th> </tr> </thead> <tbody> <tr> <td>V<sub>DD</sub></td> <td>output</td> <td>Input</td> </tr> <tr> <td>V<sub>SS</sub></td> <td>Input</td> <td>output</td> </tr> </tbody> </table>	SHL2	DL2	DR2	V <sub>DD</sub>	output	Input	V <sub>SS</sub>	Input	output	Controller			
SHL2	DL2	DR2														
V <sub>DD</sub>	output	Input														
V <sub>SS</sub>	Input	output														
DL2, DR2 (39, 40)	Input Output	Data interface	Data input / output of Part 2 shift register	Controller or APU0063												
SC21 ~ SC40	Output	LCD driver	LCD driver output of Part2	LCD												

Note : Input pin can not be floated, or it will cause large leakage current.

## SEGMENT MODE

When Part1 or Part2 be selected to work in segment mode (FCS pin =  $V_{SS}$ ), these are the liquid crystal segment drive outputs. A signal of driving pin in segment mode is the one of  $V_1, V_2, V_3$  or  $V_4$ . These selecting are following.

Data of latch	M	Output voltage
High	High	$V_1$
High	Low	$V_2$
Low	High	$V_3$
Low	Low	$V_4$

## COMMON MODE

Only Part2 can be selected to work in common mode (FCS pin =  $V_{DD}$ ). These are the liquid crystal common drive outputs signal of driving pin in segment mode is the one of  $V_1, V_2, V_5$  or  $V_6$ . These selecting are following.

Data of latch	M	Output voltage
High	High	$V_2$
High	Low	$V_1$
Low	High	$V_6$
Low	Low	$V_5$

## SHIFT DIRECTION SPECIFICATION

### Part1

When Part1 shift direction control signal, SHL1, is set to  $V_{SS}$ .  
 Now the Part1 register shift direction is  
 $DL1 \rightarrow SC1 \rightarrow SC2 \rightarrow \dots \rightarrow SC19 \rightarrow SC20 \rightarrow DR1$   
 Otherwise, when SHL1 is set to  $V_{DD}$ . Its direction is  
 $DL1 \leftarrow SC1 \leftarrow SC2 \leftarrow \dots \leftarrow SC19 \leftarrow SC20 \leftarrow DR1$

### Part2

When Part2 shift direction control signal, SHL2, is set to  $V_{SS}$ .  
 Now the Part1 register shift direction is  
 $DL2 \rightarrow SC21 \rightarrow SC22 \rightarrow \dots \rightarrow SC39 \rightarrow SC40 \rightarrow DR2$   
 Otherwise, when SHL2 is set to  $V_{DD}$ . Its direction is  
 $DL2 \leftarrow SC21 \leftarrow SC22 \leftarrow \dots \leftarrow SC39 \leftarrow SC40 \leftarrow DR2$

## MAXIMUM ABSOLUTE LIMIT (Ta = 25 °C)

Characteristic	Symbol	Value	Unit
Operating Voltage	$V_{DD}$	-0.3 ~ +7.0	V
Driver Supply Voltage	$V_{LCD}$	$V_{DD}-13.5 \sim V_{DD}+0.3$	V
Input Voltage 1	$V_{IN1}$	-0.3 ~ $V_{DD}+0.3$	V
Input Voltage 2 ( $V_1 \sim V_6$ )	$V_{IN2}$	$V_{DD}+0.3 \sim V_{EE}-0.3$	V
Operating Temperature	$T_{OPR}$	-30 ~ +85	°C
Storage Temperature	$T_{STG}$	-55 ~ +125	°C

**ELECTRICAL CHARACTERISTICS**

 DC characteristics ( $V_{DD} = 2.7 \sim 5.5V$ ,  $0 \geq V_{EE} \geq V_{DD} - 10V$ ,  $V_{SS} = 0V$ ,  $T_a = -30 \sim +85 \text{ }^\circ\text{C}$ )

Characteristic	Symbol	Test condition	Min	Max	Unit	Applicable pin
Operating Current*	$I_{DD}$	$f_{CL2} = 400\text{KHz}$	-	1	mA	-
Supply Current*	$I_{EE}$	$f_{CL1} = 1\text{KHz}$	-	10	$\mu\text{A}$	
Input High Voltage	$V_{IH}$	-	$0.7 V_{DD}$	$V_{DD}$	V	CL1, CL2, DR1, DR2, DR1, DR2, SHL1, SHL2, M, FCS
Input Low Voltage	$V_{IL}$		0	$0.2 V_{DD}$		
Input Leakage Current	$I_{LKC}$	$V_{IN} = 0 - V_{DD}$	-5	5	$\mu\text{A}$	
Output High Voltage	$V_{OH}$	$I_{OH} = -0.4\text{mA}$	$V_{DD} - 0.4$	-	V	
Output Low Voltage	$V_{OL}$	$I_{OL} = +0.4\text{mA}$	-	0.4		
Voltage Descending	$V_{D1}$	$I_{ON} = 0.1\text{mA}$ for one of SC1 ~ SC40	-	1.1		V ( $V_1 \sim V_6$ ) - SC ( SC1 ~ SC40 )
	$V_{D2}$	$I_{ON} = 0.05\text{mA}$ for each SC1 ~ SC40	-	1.5		
Leakage Current	$I_V$	$V_{IN} = V_{DD} \sim V_{EE}$ (Output SC1 ~ SC40 : floating)	-10	10	$\mu\text{A}$	$V_1 \sim V_6$

 AC characteristics ( $V_{DD} = 2.7 \sim 5.5V$ ,  $0 \geq V_{EE} \geq V_{DD} - 10V$ ,  $V_{SS} = 0V$ ,  $T_a = -30 \sim +85 \text{ }^\circ\text{C}$ )

Characteristic	Symbol	Test condition	Min	Max	Unit	Applicable pin
Data shift Frequency	$f_{CL}$	-	-	400	KHz	CL2
Clock High Level Width	$t_{WCKH}$	-	800	-	ns	CL1, CL2
Clock Low Level Width	$t_{WCKL}$	-	800	-		CL2
Clock Set-up Time	$t_{SL}$	from CL2 to CL1	500	-		CL1, CL2
	$t_{LS}$	from CL1 to CL2	500	-		
Clock Rise / Fall Time	$t_R / t_F$	-	-	200		DL1, DL2, DR1, DR2, FLM
Data Set-up Time	$t_{SU}$	-	300	-		
Data Hold Time	$t_{DH}$	-	300	-		
Data Delay Time	$t_D$	-	-	600		

TIMING CHARACTERISTICS

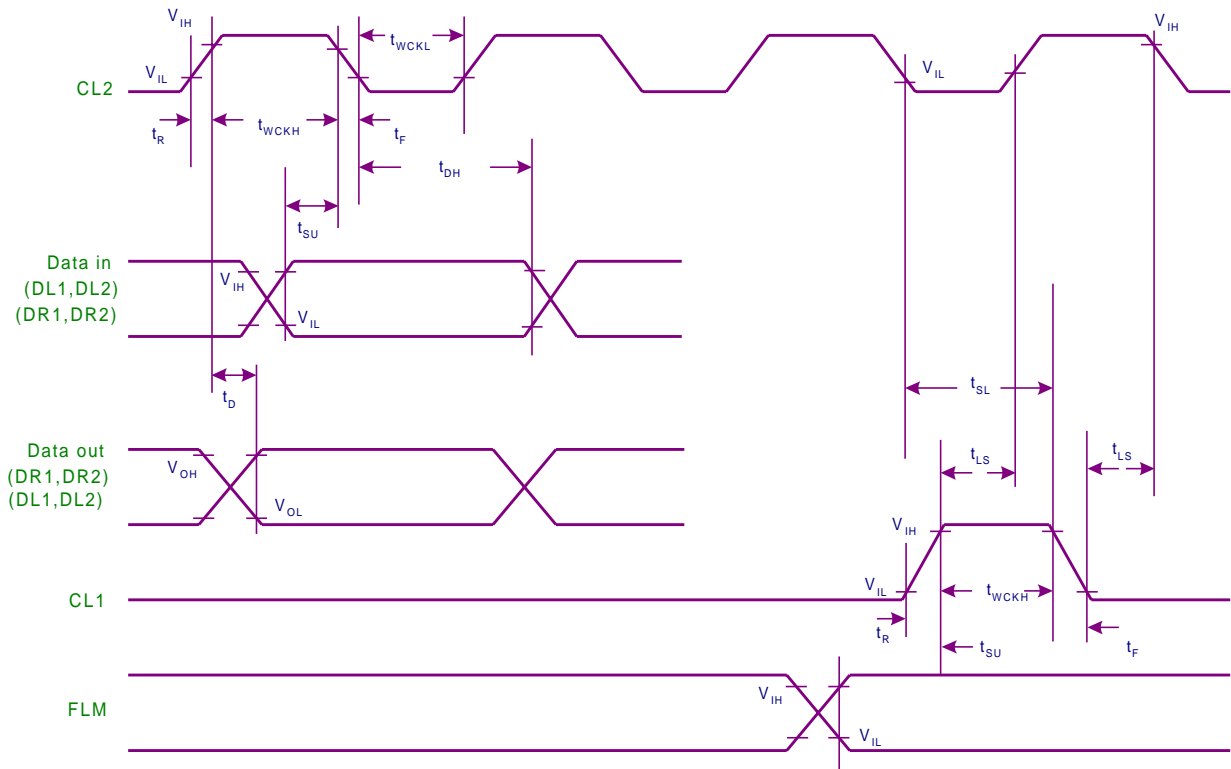
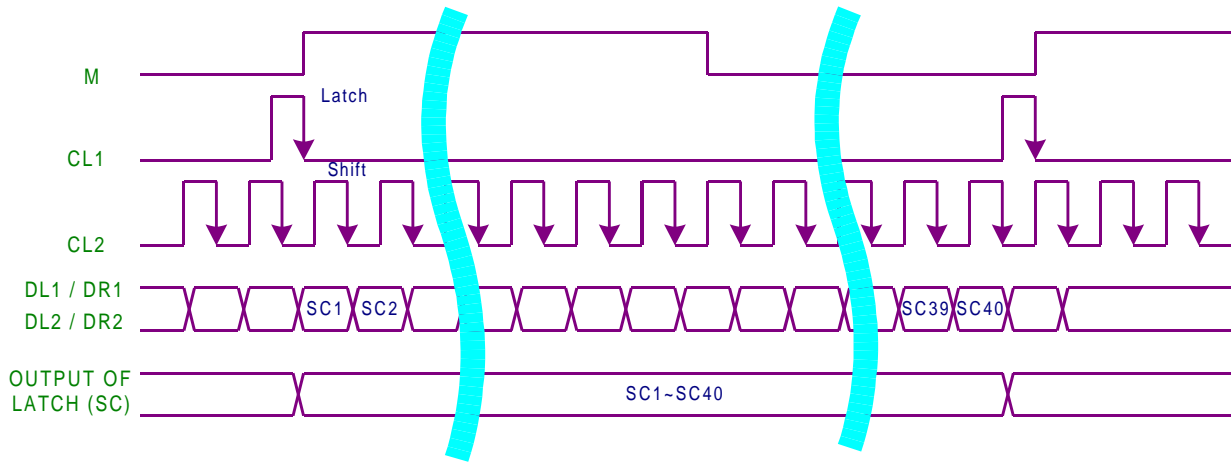


Figure 3. Timing diagram of signals

**FUNCTIONAL DESCRIPTION**

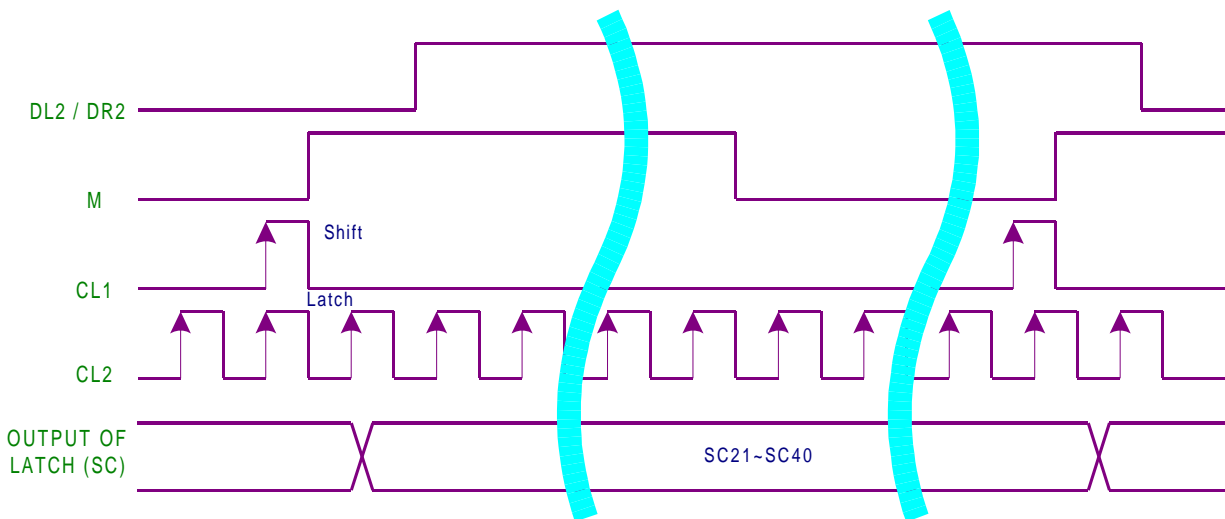
1) Segent mode



When the FCS is connected to  $V_{SS}$ , APU0065 (SC1 ~ SC40) is operated as segment driver.  
(refer to figure 5)

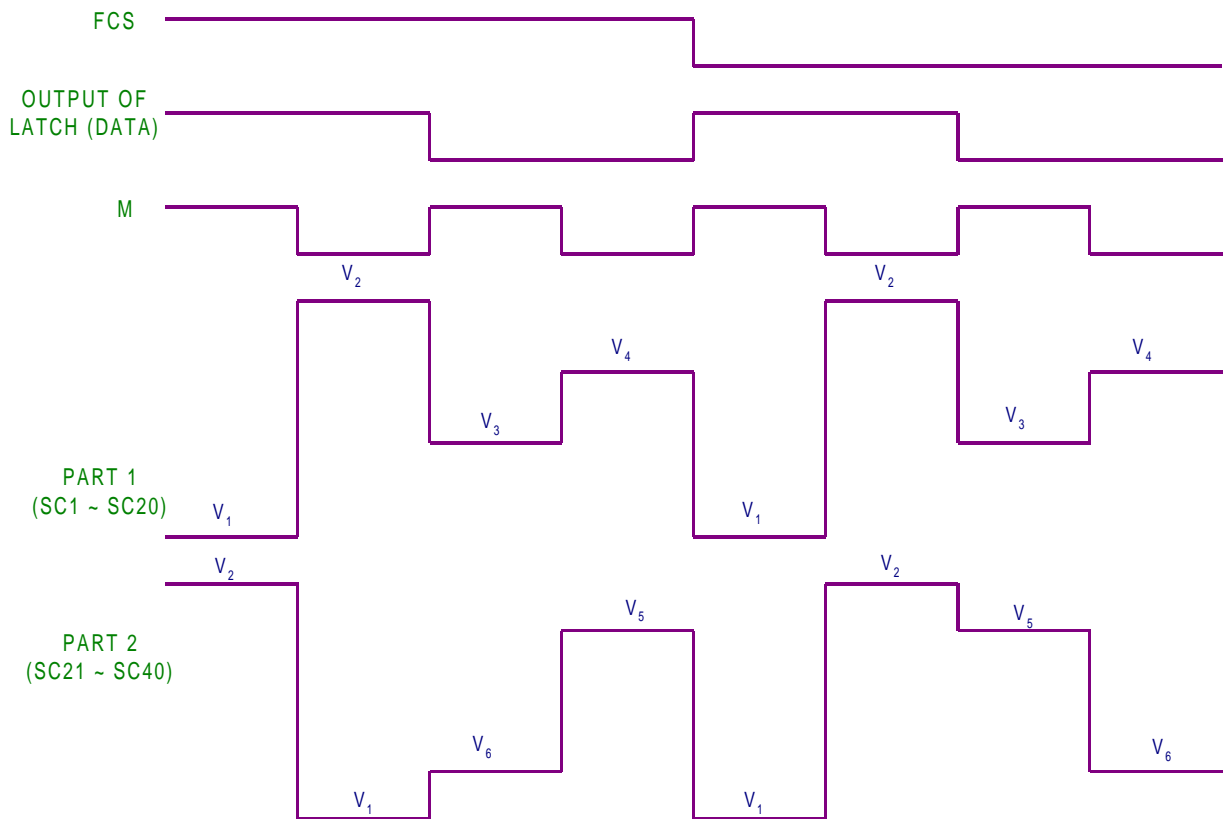
Figure 4. timing diagram of Segent mode

2) Common mode



When the FCS is connected to  $V_{DD}$ , only part2 (SC21 ~ SC40) of APU0065 is operated as common driver.  
(refer to figure 6.)

Figure 5. timing diagram of Common mode



Note : When fcs equals to high voltage, PART 2 (SC21 ~ SC40) is operated as LCD Common driver.  
 PART 1 (SC1 ~ SC20) always be operated as LCD segment driver, no matter fcs equals to high or low

Figure 6. SC1 ~ SC40 output waveform

## Customer Service

### Anpec Electronics Corp.

Head Office :

5F, No. 2 Li-Hsin Road, SBIP,

Hsin-Chu, Taiwan, R.O.C.

Tel : 886-3-5642000

Fax : 886-3-5642050

Taipei Branch :

7F, No. 137, Lane 235, Pac Chiao Rd.,

Hsin Tien City, Taipei Hsien, Taiwan, R. O. C.

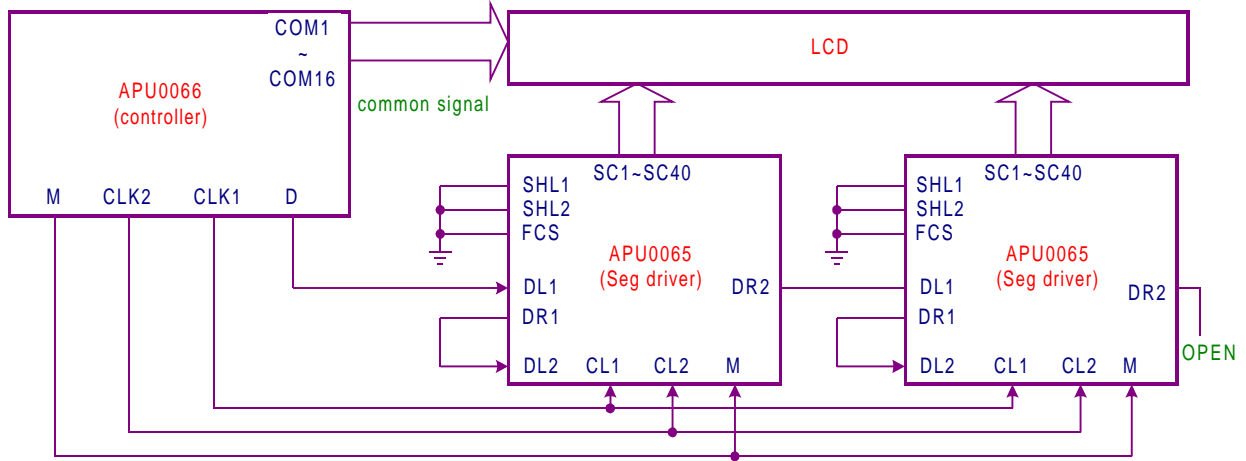
Tel : 886-2-89191368

Fax : 886-2-89191369



**APPLICATION CIRCUIT**

1. Segment driver



2. Segment / Common driver

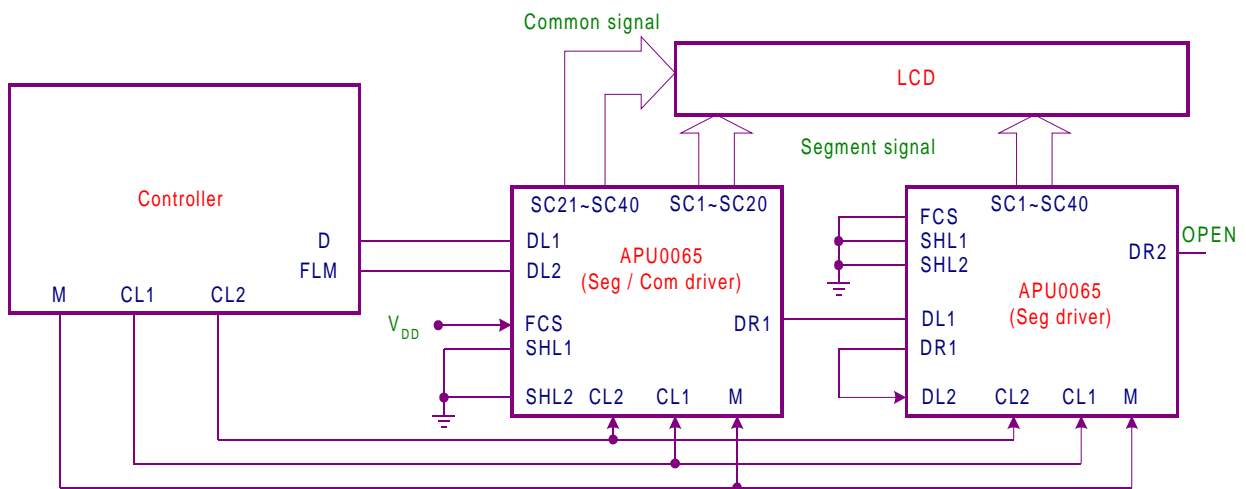


Figure 7. Connection between APU0065 and Controller



**PAD LOCATION**

PAD NUMBER	PAD NAME	COORDINATE		PAD NUMBER	PAD NAME	COORDINATE	
		X	Y			X	Y
1	SC29	902.5	630.0	31	VEE	-902.5	-630.0
2	SC28	850.0	732.5	32	CL1	-800.0	-722.5
3	SC27	725.0	732.5	33	CL2	-700.0	-732.5
4	SC26	600.0	732.5	34	V <sub>SS</sub>	-600.0	-732.5
5	SC25	500.0	732.5	35	DL1	-500.0	-732.5
6	SC24	400.0	732.5	36	DR1	-400.0	-732.5
7	SC23	300.0	732.5	37	DL2	-300.0	-732.5
8	SC22	200.0	732.5	38	DR2	-200.0	-732.5
9	SC21	100.0	732.5	40	M	-100.0	-732.5
10	SC20	0.0	732.5	41	SHL1	0.0	-732.5
11	SC19	-100.0	732.5	42	SHL2	100.0	-732.5
12	SC18	-200.0	732.5	43	FCS	200.0	-732.5
13	SC17	-300.0	732.5	44	V <sub>1</sub>	315.0	-732.5
14	SC16	-400.0	732.5	45	V <sub>2</sub>	430.0	-732.5
15	SC15	-500.0	732.5	46	V <sub>3</sub>	545.0	-732.5
16	SC14	-600.0	732.5	47	V <sub>4</sub>	660.0	-732.5
17	SC13	-725.0	732.5	48	V <sub>5</sub>	775.0	-732.5
18	SC12	-850.0	732.5	49	V <sub>6</sub>	905.0	-632.5
19	SC9	-902.5	630.0	50	SC40	902.5	-525.0
20	SC10	-902.5	525.0	51	SC39	902.5	-420.0
21	SC11	-902.5	420.0	52	SC38	902.5	-315.0
22	SC8	-902.5	315.0	53	SC37	902.5	-210.0
23	SC7	-902.5	210.0	54	SC36	902.5	-105.0
24	V <sub>DD</sub>	-902.5	105.0	55	SC35	902.5	0.0
25	SC6	-902.5	0.0	56	SC30	902.5	105.0
26	SC5	-902.5	-105.0	57	SC31	902.5	210.0
27	SC4	-902.5	-210.0	58	SC32	902.5	315.0
28	SC3	-902.5	-315.0	59	SC33	902.5	420.0
29	SC2	-902.5	-420.0	60	SC34	902.5	525.0
30	SC1	-902.5	-525.0				