



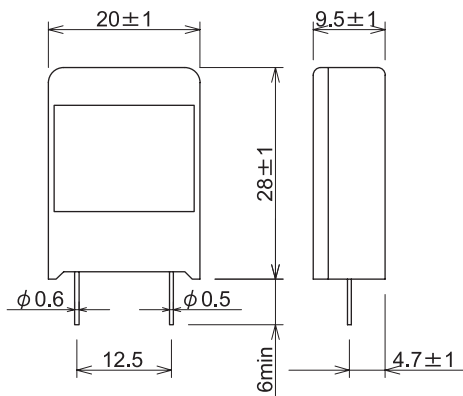
**Features**

- Fast response time.
- Bi-polar and it will fail open if surge withstand capability is exceeded.
- Small inter-terminal capacitance.
- High insulation resistance ( $1 \times 10^9 \Omega$  min).

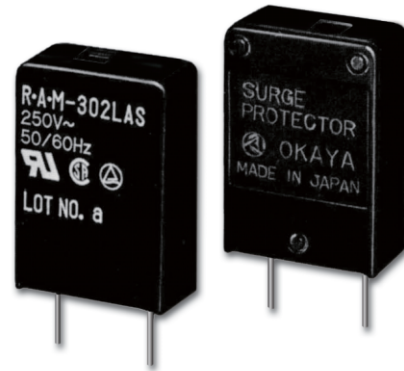


Safety Agency : Standard		File NO.
UL	UL1414, UL1449	E47474, E143446
CSA	C22.2 No.1	LR105073
TÜV	IEC60384-14	J9650111

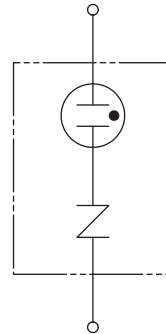
*Dimensions*



Unit: mm



*Circuit*



**Electrical Specifications**

Safety Agency	Model Number	Rated Voltage 50/60Hz Vrms	Max Line Voltage Vrms	DC Spark-over Voltage (V) R=1MW 100-500 V/sec	Peak Surge Current 8/20μs (A)	Insulation Resistance DC500V	Withstand Voltage Test	Capacitance (pF)	Operating Temp. range (°C)
	R·A·M-242LAS	125	140	2400V±20%	2000A	10 <sup>9</sup> Ω	1000V/60s 1250V/3s	2	-20~+70
	R·A·M-302LAS	250	300	3000V±20%			1500V/60s		
	R·A·M-362LAS	250	300	3600V±20%			1500V/60s 1800V/3s		