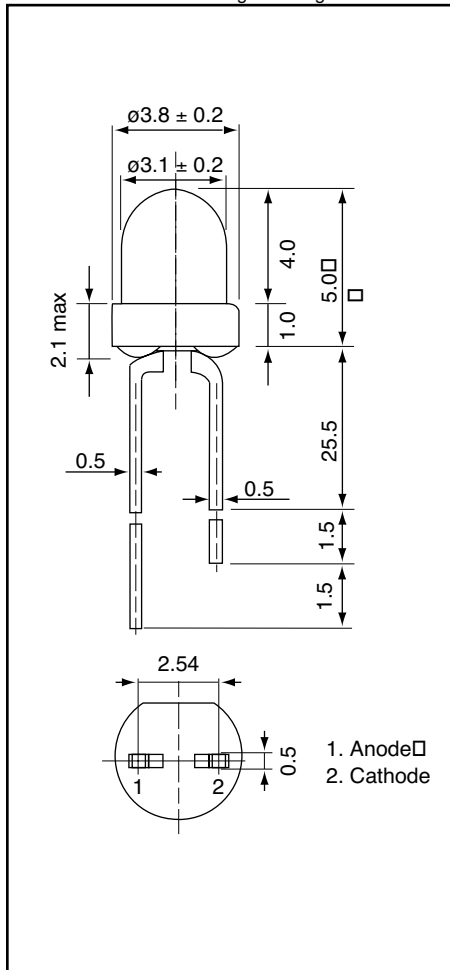


Weight: 0.30 g Unit: mm



AND123R

Standard LED

T-1 Package (3 mm)

Features

- Low power requirement
- Stand-off or flush-mount
- All plastic molded lens
- Color: GaP-Red

- RoHS Compliant

Optical Characteristics ($T_a = 25^\circ\text{C}$)

| Part Number | Color | | Lens Desc. | Axial Luminous Intensity (mcd) | | Test Condition (I_F -mA) | Viewing Angle $2\theta_{1/2}$ (deg) |
|-------------|-------|------|------------|--------------------------------|------|-----------------------------|-------------------------------------|
| | LED | Lens | | Min. | Typ. | | |
| AND123R | Red | Red | Clear | 5 | 12 | 10 | 50 |

Absolute Maximum Ratings ($T_a = 25^\circ\text{C}$)

| Characteristics | Symbol | Rating | Unit |
|---------------------------|-----------|------------|------------------|
| Forward Current (DC) | I_F | 25 | mA |
| Reverse Voltage | V_R | 5 | V |
| Power Dissipation | P_D | 120 | mW |
| Operating Temperature | T_{Opr} | -40 to +85 | $^\circ\text{C}$ |
| Storage Temperature Range | T_{Stg} | -40 to +85 | $^\circ\text{C}$ |

Electro-Optical Characteristics ($T_a = 25^\circ\text{C}$)

| Characteristics | Symbol | Test Condition | Red | | | Unit |
|--------------------------|-------------|---------------------|------|------|------|---------------|
| | | | Min. | Typ. | Max. | |
| Forward Voltage | V_F | $I_F = 20\text{mA}$ | - | 2.0 | 2.5 | V |
| Reverse Current | I_R | $V_R = 5\text{V}$ | - | - | 10 | μA |
| Peak Emission Wavelength | λ_p | $I_F = 15\text{mA}$ | - | 700 | - | nm |
| Spectral Line Half Width | λ | $I_F = 15\text{mA}$ | - | 45 | - | nm |

Precaution

Please be careful of the following:

1. Soldering temperature: 260°C max; Soldering time: 3 sec. max; Soldering portion of lead: up to 2 mm from the body of the device.
2. The lead can be formed up to 5 mm from the body of the device without forming stress. Soldering should be performed after the lead forming.

Product specifications contained herein may be changed without prior notice.

It is therefore advisable to contact Purdy Electronics before proceeding with the design of equipment incorporating this product.

