

Feed-through terminal block - HDFKV 25-TWIN-DP - 0709631

Please be informed that the data shown in this PDF Document is generated from our Online Catalog. Please find the complete data in the user's documentation. Our General Terms of Use for Downloads are valid (<http://download.phoenixcontact.com>)



Feed-through terminal block, Connection method: Screw connection, Screw connection, Load current : 125 A, Cross section: 6 mm² - 35 mm², AWG 8 - 3, Width: 15.1 mm, Color: gray


The illustration shows version HDFKV 25-TWIN

Product description

Feed-through terminal block, Connection method: Screw connection, Screw connection, Load current : 125 A, Cross section: 6 mm² - 35 mm², AWG 8 - 3, Width: 15.1 mm, Color: gray



Key commercial data

Packing unit	1
Minimum order quantity	1
GTIN	 4 017918 117078
Weight per piece (including packing)	0.0 GRM
Weight per Piece (excluding packing)	91.66 GRM
Country of origin	GERMANY

Technical data

General

Number of levels	1
Number of connections	2
Color	gray
Insulating material	PA
Inflammability class according to UL 94	V2

Dimensions

Width	15.1 mm
-------	---------

Technical data

Rated surge voltage	6 kV
Pollution degree	3
Surge voltage category	III
Insulating material group	I

Feed-through terminal block - HDFKV 25-TWIN-DP - 0709631

Technical data

Technical data

Connection in acc. with standard	IEC 60947-7-1
Nominal current I _N	101 A (the maximum load current must not be exceeded by the total current of the connected conductors)
Nominal voltage U _N	500 V

Connection data

Conductor cross section solid min.	6 mm ²
Conductor cross section solid max.	35 mm ²
Conductor cross section stranded min.	10 mm ²
Conductor cross section stranded max.	25 mm ²
Conductor cross section AWG/kcmil min.	10
Conductor cross section AWG/kcmil max	2
Conductor cross section stranded, with ferrule without plastic sleeve min.	4 mm ²
Conductor cross section stranded, with ferrule without plastic sleeve max.	25 mm ²
Conductor cross section stranded, with ferrule with plastic sleeve min.	4 mm ²
Conductor cross section stranded, with ferrule with plastic sleeve max.	25 mm ²
2 conductors with same cross section, solid min.	2.5 mm ²
2 conductors with same cross section, solid max.	10 mm ²
2 conductors with same cross section, stranded min.	4 mm ²
2 conductors with same cross section, stranded max.	10 mm ²
2 conductors with same cross section, stranded, ferrules without plastic sleeve, min.	2.5 mm ²
2 conductors with same cross section, stranded, ferrules without plastic sleeve, max.	10 mm ²
2 conductors with same cross section, stranded, TWIN ferrules with plastic sleeve, min.	2.5 mm ²
2 conductors with same cross section, stranded, TWIN ferrules with plastic sleeve, max.	10 mm ²
Connection method	Screw connection
Stripping length	19 mm
Internal cylindrical gage	B8
Screw thread	M5
Tightening torque, min	4 Nm
Tightening torque max	4.5 Nm

Classifications

eClass

eClass 4.0	27141131
eClass 4.1	27141131
eClass 5.0	27141134
eClass 5.1	27141134

Feed-through terminal block - HDFKV 25-TWIN-DP - 0709631

Classifications

eclass

eClass 6.0	27141134
------------	----------

etim

ETIM 2.0	EC001283
ETIM 3.0	EC001283
ETIM 4.0	EC001283

unspsc

UNSPSC 6.01	30211811
UNSPSC 7.0901	39121410
UNSPSC 11	39121410
UNSPSC 12.01	39121410
UNSPSC 13.2	39121410

Approvals

Certificates

Certification

CSA / UL Recognized / GOST / GOST

Certification EX

Certification submitted

Approval details

CSA	
mm ² /AWG/kcmil	8-4
Nominal current I _N	100 A
Nominal voltage U _N	600 V

UL Recognized		
	B	C
mm ² /AWG/kcmil	8-2	8-2
Nominal current I _N	115 A	115 A
Nominal voltage U _N	600 V	600 V

GOST

Feed-through terminal block - HDFKV 25-TWIN-DP - 0709631

Approvals

GOST

Accessories

Accessories

Marking

Zack marker strip - ZB10:SO/CMS - 1050525

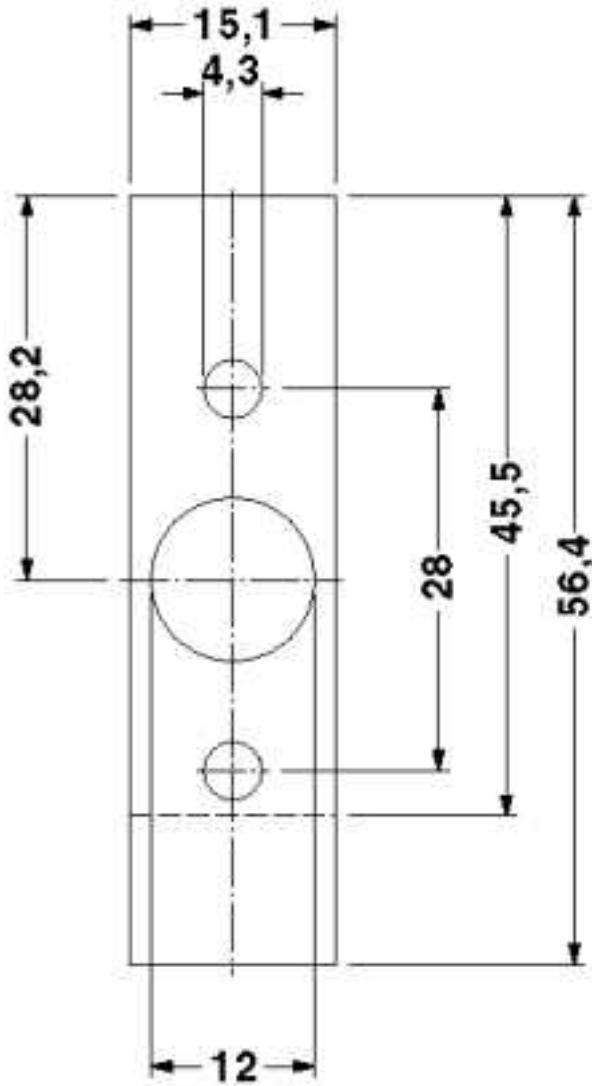


Zack marker strip, white, For terminal block width: 10 mm

Drawings

Feed-through terminal block - HDFKV 25-TWIN-DP - 0709631

Drilling diagram



Dimensioned drawing

