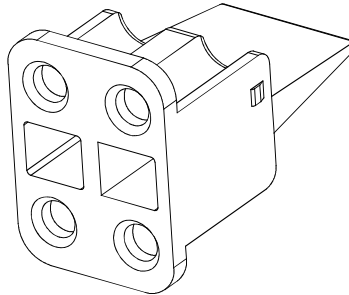
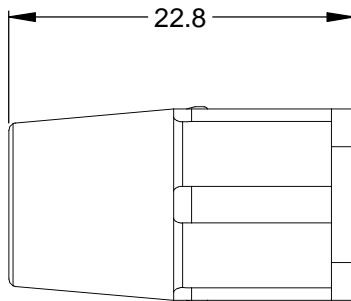
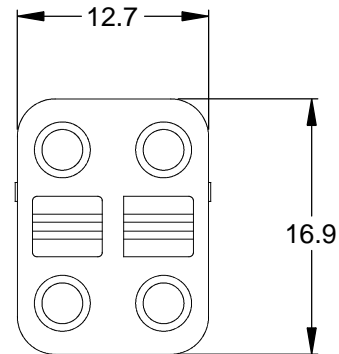
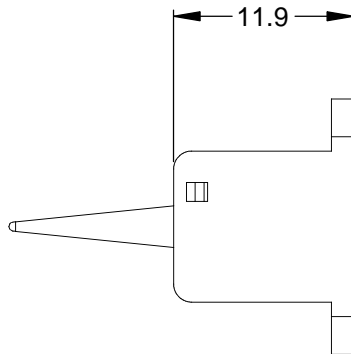


REVISIONS					
REV	ECO	DESCRIPTION	DATE	BY	APPR
A3		RELEASE NEW DWG FORMAT	09/18/13	DRP	



NOTES: UNLESS OTHERWISE SPECIFIED

1. MATERIAL: THERMOPLASTIC; COLOR: ORANGE
2. RoHS COMPLIANT
3. CAVITIES: 4
4. KEYED: N/A
5. USE WITH CONNECTORS ATP06-4S*
(* = MODIFICATIONS AND COLORS)
6. ALL DIMENSIONS ARE FOR REFERENCE USE ONLY.

AWP-4S																	
QUANTITY	PART NUMBER	DESCRIPTION		ITEM													
MATERIALS LIST																	
<small>UNLESS OTHERWISE SPECIFIED</small> 1) All dimensions are in metric (mm). 2) Tolerances are as follows: 1 PL DEC ±0.30 2 PL DEC ±0.15 3 PL DEC ±0.08 3) Note reference =		<table border="1"> <tr> <th>SIGNATURES</th> <th>DATE</th> </tr> <tr> <td>D.PARKS</td> <td>09/18/13</td> </tr> <tr> <td>CHECKED:</td> <td></td> </tr> <tr> <td>ENGINEER:</td> <td></td> </tr> <tr> <td>APPROVAL:</td> <td></td> </tr> <tr> <td>CUSTOMER:</td> <td></td> </tr> </table>		SIGNATURES	DATE	D.PARKS	09/18/13	CHECKED:		ENGINEER:		APPROVAL:		CUSTOMER:		<p style="text-align: center;">SINE Systems Corporation</p> <p style="text-align: center;">A Subsidiary of Amphenol Corporation 44724 Morley Drive Clinton Township, MI 48036</p>	
SIGNATURES	DATE																
D.PARKS	09/18/13																
CHECKED:																	
ENGINEER:																	
APPROVAL:																	
CUSTOMER:																	
MATERIAL SPECIFICATIONS:		THIS DRAWING IS SUPPLIED FOR INFORMATION ONLY. DESIGN FEATURES, SPECIFICATIONS AND PERFORMANCE DATA SHOWN HEREON ARE THE PROPERTY OF THE AMPHENOL CORPORATION. NO RIGHTS OF REPRODUCTION ARE IMPLIED. ALL DIMENSIONS ARE SUBJECT TO NORMAL MANUFACTURING VARIATIONS.		<table border="1"> <tr> <td>SIZE</td> <td>FSCM NO.</td> <td>DWG NO:</td> <td>REVISION</td> </tr> <tr> <td>A</td> <td>—</td> <td>C- AWP-4S</td> <td>A3</td> </tr> </table>	SIZE	FSCM NO.	DWG NO:	REVISION	A	—	C- AWP-4S	A3					
SIZE	FSCM NO.	DWG NO:	REVISION														
A	—	C- AWP-4S	A3														
PROCESS SPECIFICATIONS:		SCALE: NONE		SHEET 1 OF 1													
NEXT ASSY:																	

Mouser Electronics

Authorized Distributor

Click to View Pricing, Inventory, Delivery & Lifecycle Information:

[Amphenol:](#)

[AWP-4S](#)