

# Coaxial Connectors, Adapters and Kits



# Pomona®

## BNC AND TNC CONNECTORS AND HARDWARE

**Pomona ACCESS**

**FAX ON DEMAND** This symbol indicates immediate Fax-On-Demand Technical Information is available. Dial (U.S.) (800) 444-6785, (Outside U.S.) (909) 469-2991. Enter the Pomona Access number (shown in italics) when prompted.

Coaxial Connectors

### BNC CONNECTORS

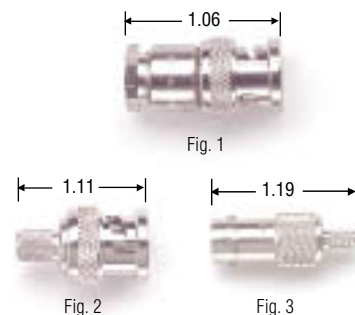
RATING: 500 VRMS Max.

CABLE GROUPS RG/U

- 1 142, 142A, 142B, 223
- 2 58, 58A, 58C, 141, 141A
- 3 59, 59A, 59B, 62, 62A, 62B, 62C, 210
- 4 174, 174A, 179B, 187, 187A, 188, 188A, 316

MATERIAL: Shell: Brass, Tarnish Resistant Plating  
Center Contact: Male: Gold Plated Brass;  
Female: Gold Plated Beryllium Copper  
Dielectric: PTFE

Pomona ACCESS	Model	Type	Special Features	Fig.	Cable Group	PRICE	
	90101	4488	BNC (m)	50 Ohm impedance	1	1, 2	4.05
	90108	4997	BNC (m)	50 Ohm	1	RG58	7.65
	90109	4998	BNC (m)	75 Ohm Taper Grip*	1	RG59	8.40
	90114	5079	BNC (m)	75 Ohm Impedance	1	3	9.25
	90118	5286	BNC (m)		2	3	2.95
	90119	5307	BNC (m)		1	4	6.45
	90117	5285	BNC (m)	50 Ohm Impedance	2	2	3.85
	90120	5344	BNC (f)		3	2	3.85

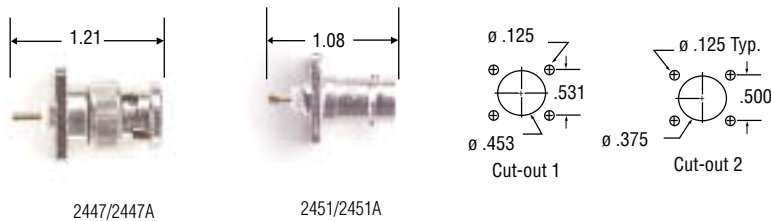


\*Simplified assembly, one-piece hardware.

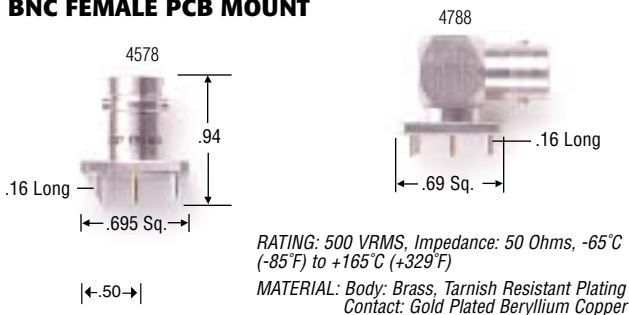
### BNC PANEL RECEPTACLES - 50 OHMS

MATERIAL: Shell: Brass, Tarnish Resistant Plating  
Center Contact: Male: Gold Plated Brass;  
Female: Gold Plated Beryllium Copper  
Dielectric: PTFE

Pomona ACCESS	Model	Type	Special Features	Cut Out	PRICE	
	90156	2447	BNC (m)	.531 hole spacing	1	13.25
	90157	2451	BNC (f)	ctr. to ctr.		4.75
	90156	2447A	BNC (m)	.500 hole spacing	2	7.75
	90158	2451A	BNC (f)	ctr. to ctr.		4.95



### BNC FEMALE PCB MOUNT



RATING: 500 VRMS, Impedance: 50 Ohms, -65°C (-85°F) to +165°C (+329°F)

MATERIAL: Body: Brass, Tarnish Resistant Plating  
Contact: Gold Plated Beryllium Copper

Pomona ACCESS	Model	PRICE	
	90267	4578	9.80
	90278	4788	15.50

### BNC SHORTING CAP OR DUST CAP FOR BNC FEMALE



Shorting cap provides protection and supplies a short across an input.

Dust cap protects sensitive instrument inputs and is non-shorting.

Tarnish resistant plating.  
3" long chain.

Pomona ACCESS	Model	TYPE	PRICE	
	90296	5085	Shorting cap	7.15
	90209	3839	Dust cap	2.80

### BNC MALE WITH STRAIN RELIEF BOOT



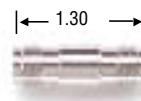
RATING: 500 VRMS, +50°C (+122°F) Max  
Make your own cable with strain relief.

Pomona ACCESS	Model	Fits Cable Types	For Cable O.D.	PRICE	
	90112	5066-*	RG 58, 141	.185" - .200"	6.40
		5068-*	RG 174, 187, 188	.090" - .110"	11.55
Boot w/nut only	90616	5076-*	RG 58, 141	.185" - .200"	2.85

For use with connectors using a 7/16-28 clamp nut. Simply replace supplied nut with the one on the boot.

\*Specify color: -0 black, -1 brown, -2 red, -3 orange, -4 yellow, -5 green, -6 blue, -7 violet, -8 gray, -9 white.

### TNC FEMALE/FEMALE ADAPTER

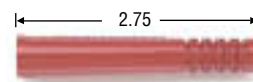


Impedance: 50Ω  
Voltage: 500 VRMS

MATERIAL: Body: Brass, Tarnish Resistant Plating  
Center Contact: Gold Plated Beryllium Copper

Pomona ACCESS	Model	Type	PRICE	
	90285	4940	TNC (f/f)	8.95

### STRAIN RELIEF BOOT



RATING: +50°C (+122°F) Max.  
Use with crimp type connectors.

Pomona ACCESS	Model	Fits Cable Types	For Cable O.D.	PRICE	
	90307	5155-*	RG 58, 141	.185" - .200"	.65 ea.
		5156-*	RG 59, 62, 210	.237" - .247"	.65 ea.
		5157-*	RG 174, 187, 188	.090" - .110"	.65 ea.

Sold in pkgs. of 10

\*Specify color: -0 black, -1 brown, -2 red, -3 orange, -4 yellow, -5 green, -6 blue, -7 violet, -8 gray, -9 white.

# Pomona Electronics

Sales: (909) 469-2900 FAX: (909) 629-3317 Tech. Support: (800) 241-2060  
© 2001 Pomona Electronics. Specifications and prices subject to change without notice. Printed in U.S.A.

www.pomonaelectronics.com