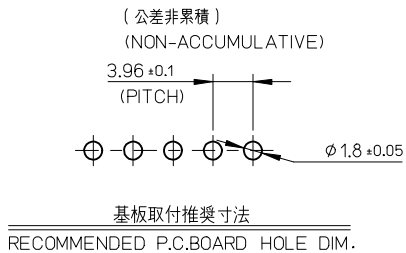
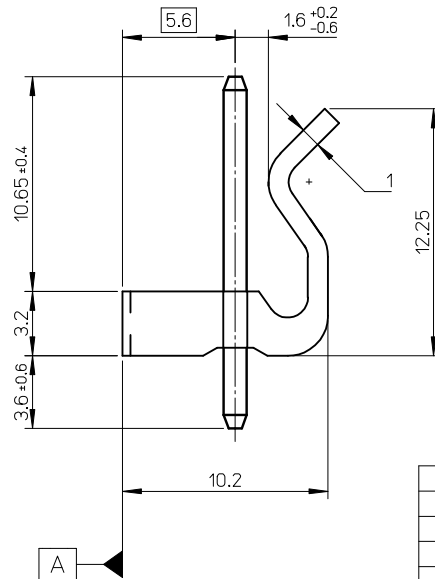
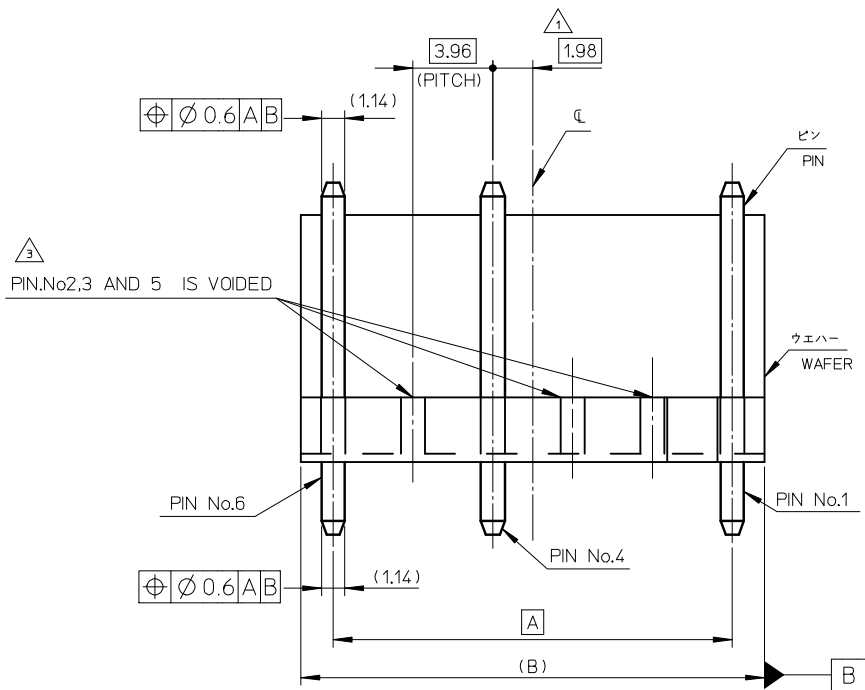


NOTES

- △1 全極数が偶数の場合のみ適用
TO BE APPLIED ONLY WHEN ALLCKTS ARE EVEN
- 2. 材質
2. MATERIAL
ウェハ：66ナイロン、UL94V-2
WAFER : 66NYLON, UL94V-2
ピン：黄銅、銅下地錫メッキ ($\square 1.14 \times 17.45$)
PIN: BRASS, TIN OVER COPPER PLATING ($\square 1.14 \times 17.45$)
- △3 PIN: BRASS, TIN OVER COPPER PLATING ($\square 1.14 \times 17.45$)
ピンNo. 2, 3, 5はVOIDとする。
PIN No. 2, 3, AND 5 HAVE VOIDED.



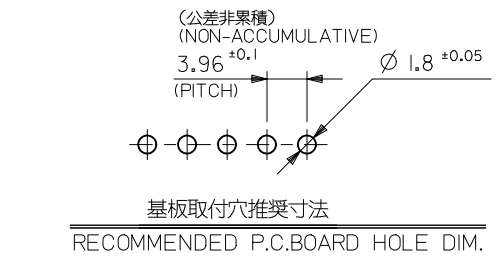
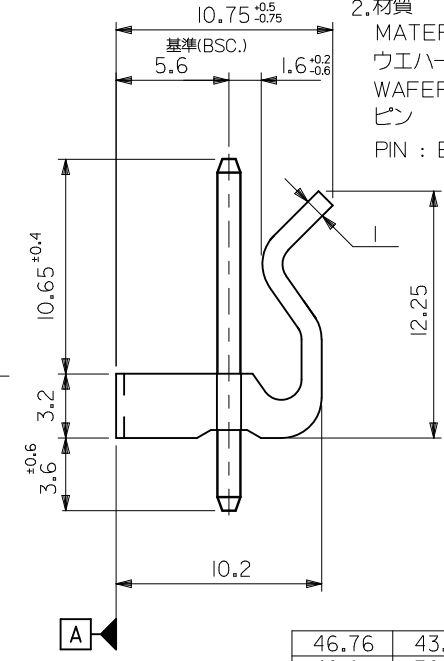
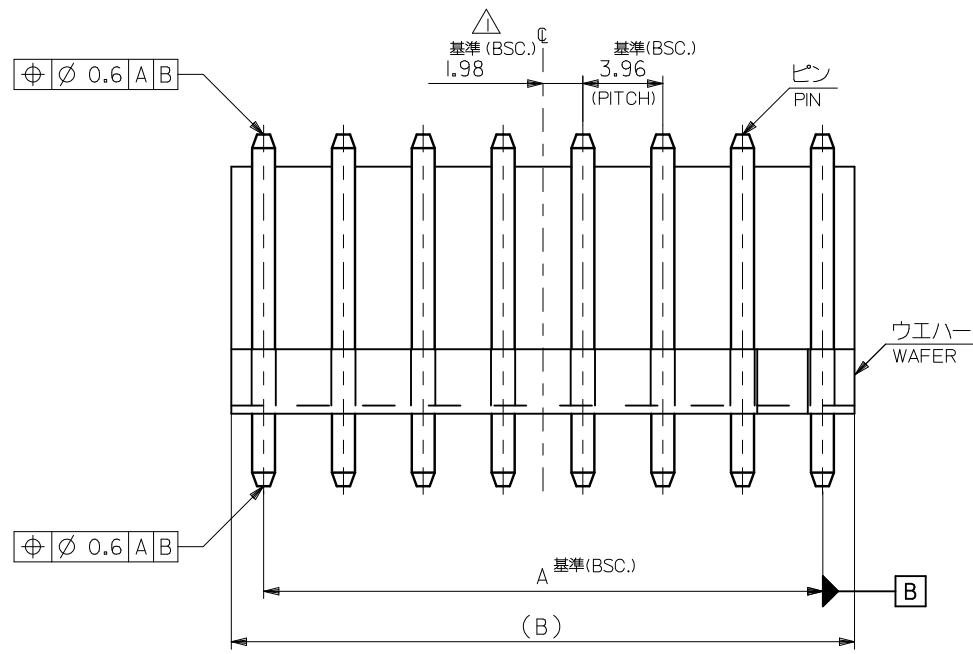
23	19.8	5055372030	505537-03A	3
B	A	オーダー番号 (EDP NO.) ORDER NO. (EDP NO.)	ENG. NO.	極数 CKTS

REVISED EC NO. : J2015-1572 DRW: KCHIKANO 2015/05/26 CHKD: KASAKAWA 2015/05/26 APPR: NUKITA 2015/05/26	GENERAL TOLERANCES (UNLESS SPECIFIED)			DIMENSION STYLE	SCALE	DESIGN UNITS	THIRD ANGLE PROJECTION	
	0.25 UNDER		± 0.03	MM ONLY	4:1	METRIC	DRAWN BY DATE KCHIKANO 2015/03/16	
	0.25 OVER	0.5 UNDER	± 0.05	CHECKED BY DATE KASAKAWA 2015/03/16	TITLE KK 3.96 WAFER ASSY WITH LOCK (WITHOUT 2,3 AND 5 PIN)			
	0.5 OVER	1.0 UNDER	± 0.1	APPROVED BY DATE NUKITA 2015/03/17	DOCUMENT NO. SHEET NO. SD-505537-001 1 OF 1			
	1.0 OVER	10 UNDER	± 0.2	MATERIAL NO.				
10 OVER	30 UNDER	± 0.25	SEE TABLE	THIS DRAWING CONTAINS INFORMATION THAT IS PROPRIETARY TO MOLEX INCORPORATED AND SHOULD NOT BE USED WITHOUT WRITTEN PERMISSION				
30 OVER		± 0.3		SIZE	A3			
ANGULAR	± 3 °			DRAFT WHERE APPLICABLE MUST REMAIN WITHIN DIMENSIONS				

注記
NOTES

△全極数が偶数の場合のみ適用。
TO BE APPLIED ONLY WHEN ALL CKTS ARE EVEN.

2.材質
MATERIAL
ウエハー : 66ナイロン, UL94V-2
WAFER : 66NYLON, UL-94V-2
ピン : 黄銅, 銅下地錫メッキ (□1.14X17.45)
PIN : BRASS, TIN OVER COPPER PLATING (□1.14X17.45)



46.76	43.56	09-65-2128	5273-12A	12
42.8	39.6	▲ -2118	▲ -11A	11
38.84	35.64	-2108	-10A	10
34.88	31.68	-2098	-09A	9
30.92	27.72	-2088	-08A	8
26.96	23.76	-2078	-07A	7
23	19.8	-2068	-06A	6
19.04	15.84	-2058	-05A	5
15.08	11.88	-2048	-04A	4
11.12	7.92	▼ -2038	▼ -03A	3
7.16	3.96	09-65-2028	5273-02A	2
B	A	オーダー番号 (EDP NO.) ORDER NO. (EDP NO.)	ENG. NO.	極数 CKTS

REVISED EC NO.: J2009-2884 DRWN: YSHIBATA 2009/06/23 CHKD: THARUYAMA 2010/03/15 APPR: NUKITA 2010/03/15	DESCRIPTION D	GENERAL TOLERANCES (UNLESS SPECIFIED)		DIMENSION STYLE MM ONLY		SCALE ---		DESIGN UNITS METRIC		THIRD ANGLE PROJECTION		
		10 UNDER	±0.2	DRAWN BY S. MOCHIZUKI	DATE 1989/05/12	TITLE KK 3.96 WAFER ASSY WITH LOCK						
		10 OVER 30 UNDER	±0.25	CHECKED BY H.H.	DATE 1991/04/10	MOLEX INCORPORATED						
		30 OVER	±0.3	APPROVED BY M. ENOMOTO	DATE 1991/04/10	DOCUMENT NO. SD-5273-001		SHEET NO. 1 OF 1				
ANGULAR ±3 °		DRAFT WHERE APPLICABLE MUST REMAIN WITHIN DIMENSIONS		SIZE A3		THIS DRAWING CONTAINS INFORMATION THAT IS PROPRIETARY TO MOLEX INCORPORATED AND SHOULD NOT BE USED WITHOUT WRITTEN PERMISSION						