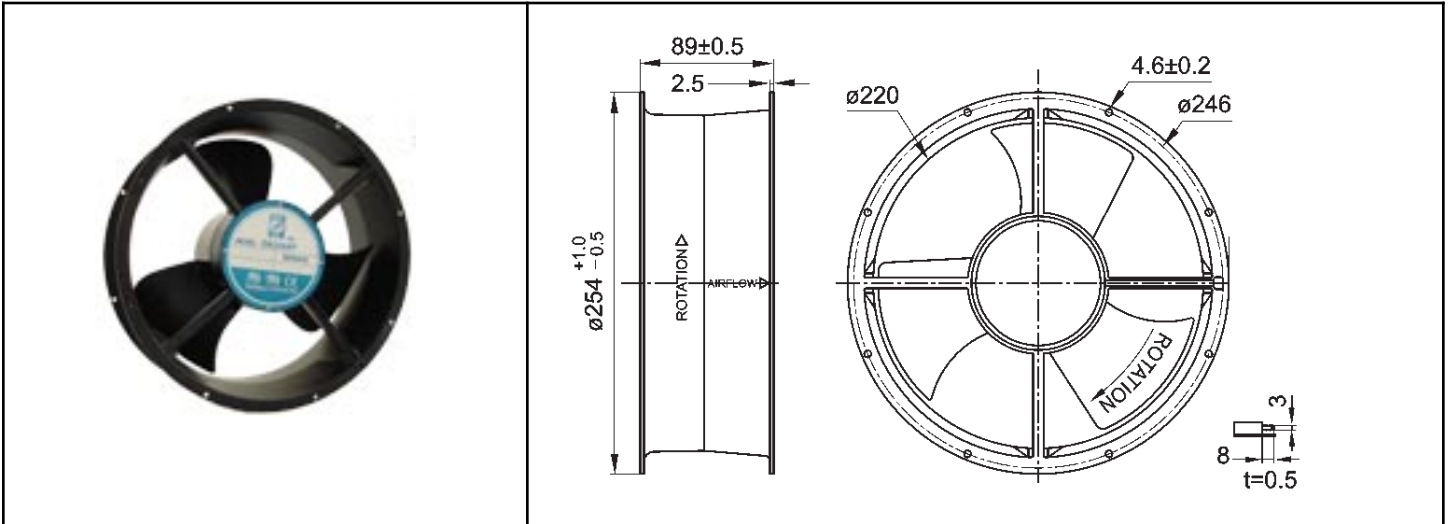


# OA254AP Series



AC Fan - Salt Fog Rated  
254 x 89mm (10.0" x 3.5")



Frame	Diecast Aluminum	<u>Environmental Protection</u> SALT FOG RATED (SF)  <u>Operating Temperature</u> Ball Bearing -20C ~ +80C  <u>Life Expectancy</u> Ball Bearing >40,000 hours (L10 at 40C)	
Impeller	PBT, UL94V-O plastic		
Connection	Terminals		
Motor	Capacitor drive, impedance protected		
Bearing System	Dual ball		
Insulation Resistance	>100M ohm between lead-wire and frame (500VDC)		
Dielectric Strength	1 min at 1500 VAC, 50/60Hz		

Model Number	OA254AP-11-1TB (SF)	OA254AP-22-1TB (SF)
Part Number	254315562	254615562
Nominal Voltage	115VAC	230VAC
Current (Amps)	0.29 A (0.51 locked)	0.14 A (0.25 locked)
Rated Power	33 W	33 W
Rated Speed	1650	1650
Airflow - CFM	550	550
Noise Level - dB	55	55
Max. Static Pressure	0.40" H <sub>2</sub> O	0.40" H <sub>2</sub> O

# Mouser Electronics

Authorized Distributor

Click to View Pricing, Inventory, Delivery & Lifecycle Information:

Orion Fans:

[OA254AP-11-1TB\(SF\)](#) [OA254AP-22-1TB\(SF\)](#)