

Sales Outline Drawing

Revision **D**

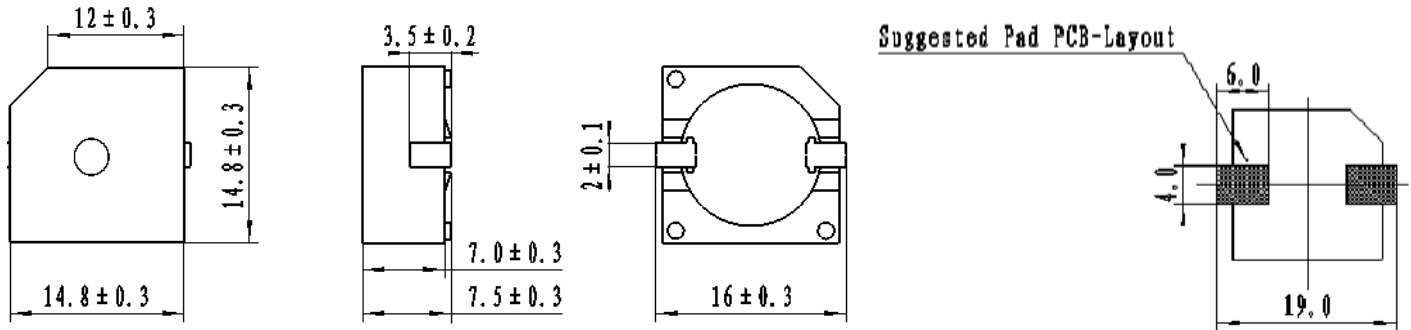
Specifications:

Oscillation Frequency (Hz)	3650 ± 500
Operating Voltage (Vp-p)	1 ~ 30
Rated Voltage (Vp-p)	7.0
Current Consumption Max. (mA)	5 at Rated Voltage
Sound Pressure Level (dB/min)	85 at 10cm at Rated Voltage
Capacitance (pF)	15,000 ± 30% at 120 Hz
Operating Temperature (°C)	-30 ~ +85
Storage Temperature (°C)	-40 ~ +85
Type of Connection Terminal	SMD
Housing	PPS plastic resin (Color : Black)
Weight (Grams)	1.9
Condition by reflow soldering (°C)	255 ± 5 / within 5 sec
Condition by hand soldering (°C)	350 ± 20 / within 5 sec
Options	For other options contact factory

Dimensions: (units: mm)

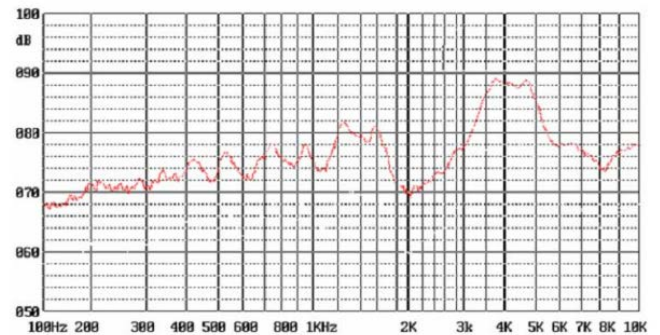
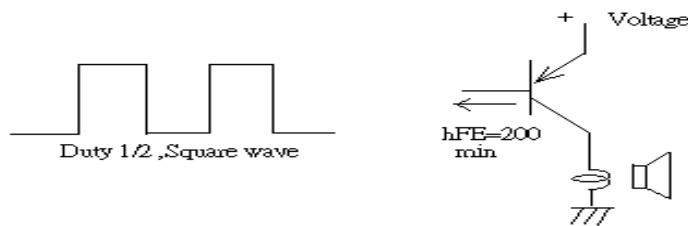
PS: Vp-p=1/2duty, square wave

RoHS Compliant



Recommend Driving Circuit

Typical Frequency Response Curve



Packaging:

Parts are supplied on reels (300 pcs per tape and reel).

Units do not come with wash label and are not appropriate for aqueous wash.

Mouser Electronics

Authorized Distributor

Click to View Pricing, Inventory, Delivery & Lifecycle Information:

[Mallory Sonalert:](#)

[AST1575BMATRQ](#)