

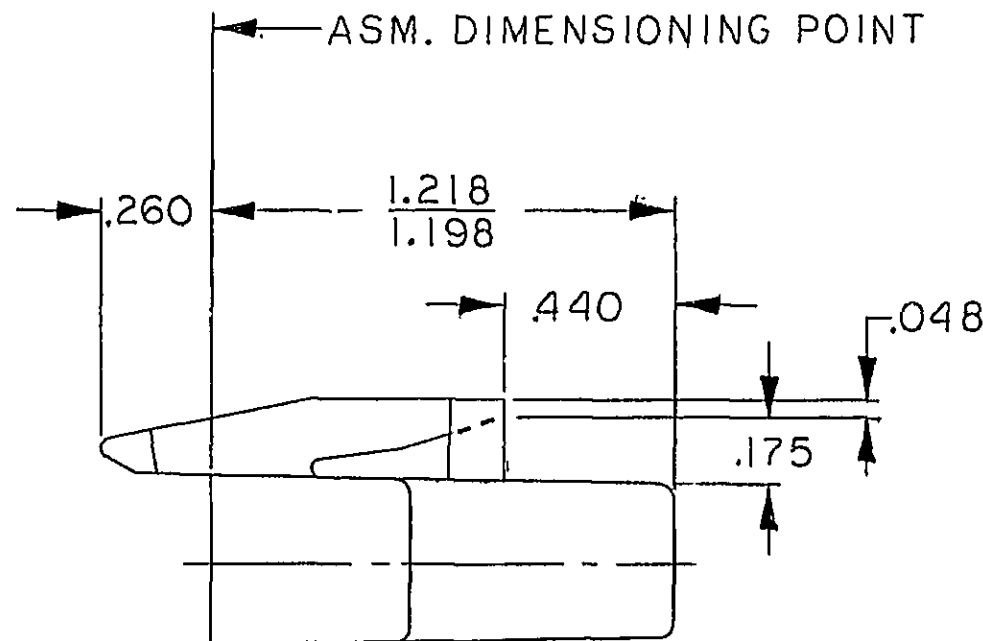
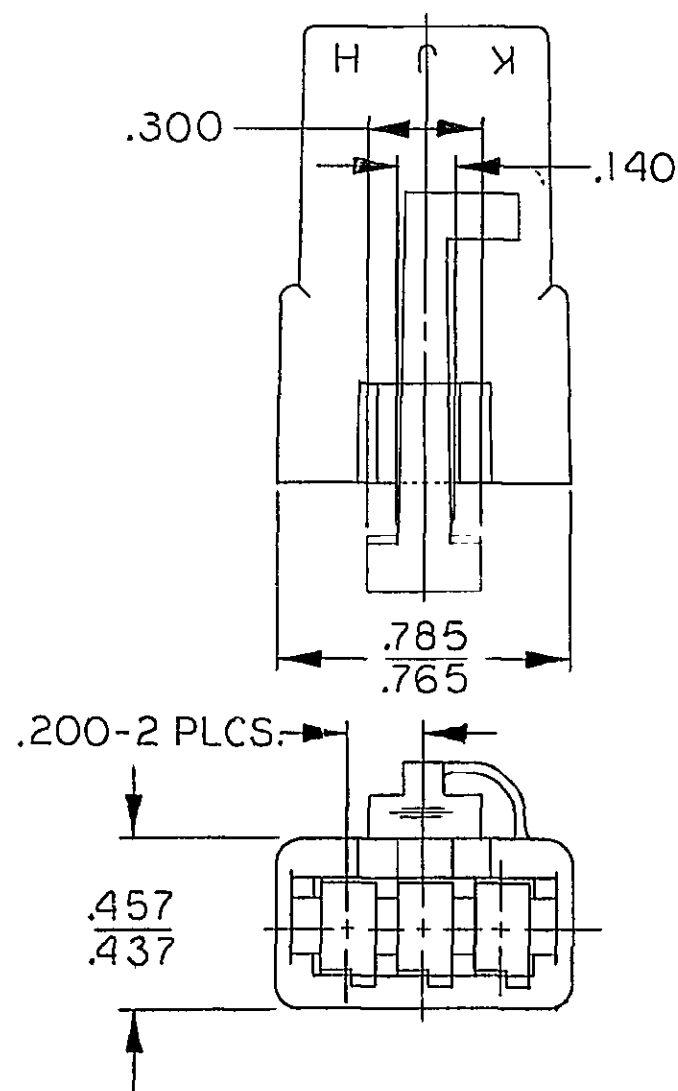
D

THIS DRAWING AND DESIGN HEREON CONSTITUTES A PROPRIETARY DESIGN OF PACKARD ELECTRIC DIVISION AND IS NOT TO BE DUPLICATED OR REPRODUCED WITHOUT AUTHORITY OF PACKARD ELECTRIC DIVISION.

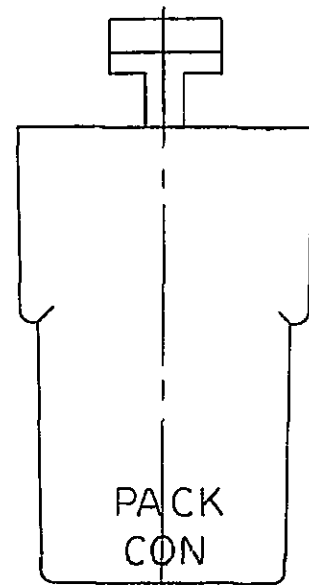
8905205

DO NOT SCALE

PACKARD ELECTRIC DIVISION
GENERAL MOTORS CORPORATION
WARREN, OHIO



MATING END



NOTES

1. THIS PART MATES WITH 08905203 OR 08905222.
2. MATERIAL RECYCLING CODE PER ISO 11469. (.090) X (.004) RAISED CHARACTERS AS SHOWN TO BE LOCATED ON ANY EXTERIOR SURFACE. OPTIONAL CONSTRUCTION TO BE NO MATERIAL RECYCLING CODE.
3. (.090) X (.004) RAISED DELPHI CORPORATE BRAND TO BE LOCATED ON ANY EXTERIOR SURFACE, PREFERABLY VISIBLE AT FINAL ASSEMBLY. OPTIONAL CONSTRUCTION TO BE "PED" OR NO LOGO.

DATE	SYM	REVISION RECORD	C/NNO
11-3-70	~	NOTE REVISED	38548
10-5-72	U	REF. WAS 8905205	47743
		"D" SIZE	
090C85	-	ADDED FLASH WEB TO PUMP HANDLE LOCK	101257 JM
19N085	B	MAT'L. SPEC. WAS "POLYP. (BLACK)"	102396 RB
25AU87	C	REMOVED OPTIONAL CONSTRUCTION NOTE	115444 JM
22FE06	C1	UPDATED MAT'L SPEC AND ADDED DELPHI LOGO & RECYCLING NOTES	277749

CODE NO. 6900		TOLERANCE UNLESS OTHERWISE SPECIFIED DECIMAL TWO PLACE = 01 THREE PLACE = 005	
QC		DR. <i>G. A. Kerul Jr.</i>	
DWG. DATE 10-29-69	SCALE NONE	CK. <i>Hubbard</i>	DATE 11-3-69
EST. NO. 88394	REFERENCE NO 8911770 "D" SIZE	APPR. <i>J. King</i>	DATE 11-3-69
MATERIAL SPEC M2097001 PP IM BLK		APPR. <i>Greene</i>	DATE 11-6-69
NAME CONN 3F PAC/CN I			
PART NO. 8905205		SIZE B	
OUTLINE DWG.			

ROUTING

82V
16A
41-05H
76V
36V
304
18A
99A

141-P

Mouser Electronics

Authorized Distributor

Click to View Pricing, Inventory, Delivery & Lifecycle Information:

[Delphi Connection Systems:](#)

[08905205](#)