

RECEPTACLE

DIMENSIONS SHOWN (METRIC) INCH		REVISIONS		REVISIONS		REVISIONS		REVISIONS		REVISIONS	
UNLESS OTHERWISE SPECIFIED TOLERANCES: ANGULAR ± .005° TO		J		SEE SHT. 1		SEE SHT. 1		SEE SHT. 1		SEE SHT. 1	
INCH METRIC		LTR.		LTR.		LTR.		LTR.		LTR.	
3 PLACE	± .010	---	---	---	---	---	---	---	---	---	---
2 PLACE	± .014	± 0.25	---	---	---	---	---	---	---	---	---
1 PLACE	---	± 0.35	---	---	---	---	---	---	---	---	---
DRAFT WHERE APPLICABLE MUST REMAIN WITHIN DIMENSIONS		APP'D. RAS		CHK'D. RW		SCALE 2 : 1		FILE NAME 531919X2.DGN		DIV. CP	
TITLE .093/(2.36) HOUSING, PLUG AND RECEPTACLE, 9 CKT., .264/(6.70) CTRS.		PART NO. SEE CHART		DRWG. NO. SD-3191-9		SHEET NO. 2		DATE 8/2/89		U.S.A.	
MOLEX INCORPORATED		LITSEJLL		60532		U.S.A.		MOLEX INC. AND SHOULD NOT BE USED WITHOUT WRITTEN PERMISSION		NO P.S. 1	

PLUG		RECEPTACLE	
PART NO.	ENG. NO.	PART NO.	ENG. NO.
19-09-2098	3191-9P	19-09-1099	3191-9R1
19-09-2099	3191-9P1	19-09-1096	3191-9R1-201
19-09-2097	3191-9P-201		
19-09-2096	3191-9P1-201		

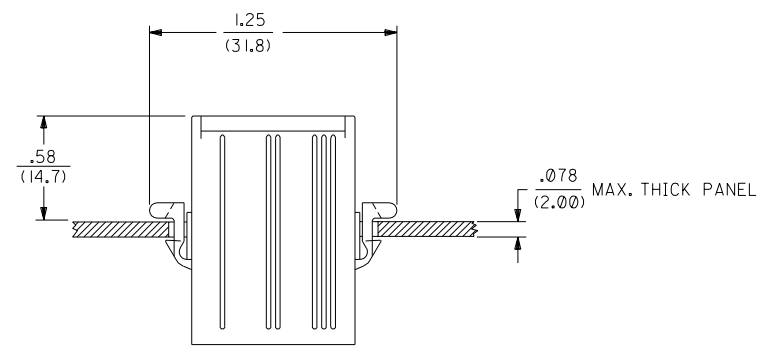
LEGEND:

3191-9****-*

CIRCUIT SIZE

P = PLUG
R = RECEPTACLE

EARS: BLANK = WITH PREBENT EARS (PLUG ONLY)
I = WITHOUT EARS

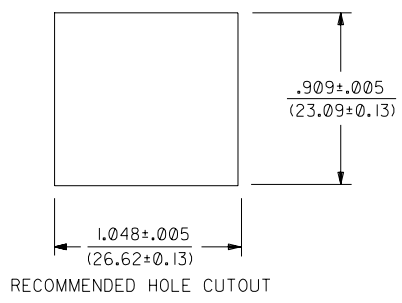


COLOR: BLANK = NATURAL COLOR

AM=AMBER BK=BLACK BU=BLUE
BN=BROWN GY=GRAY GN=GREEN
OR=ORANGE RD=RED YW=YELLOW

COLORS AVAILABLE ONLY IN 94V-2 MATERIAL

MATERIAL: BLANK=NYLON TYPE 6/6, 94V-2
201=NYLON TYPE 6/6, 94V-0



NOTES:

I. THESE HOUSINGS FOR USE WITH MOLEX .093/(2.36) DIAMETER SERIES TERMINALS.

DIMENSIONS SHOWN (METRIC) INCH UNLESS OTHERWISE SPECIFIED TOLERANCES: ANGULAR ± .04° 0		REVISE ONLY ON CAD SYSTEM																	
<table border="1"> <thead> <tr> <th></th> <th>INCH</th> <th>METRIC</th> </tr> </thead> <tbody> <tr> <td>3 PLACE</td> <td>± .010</td> <td>---</td> </tr> <tr> <td>2 PLACE</td> <td>± .014</td> <td>± 0.25</td> </tr> <tr> <td>1 PLACE</td> <td>---</td> <td>± 0.35</td> </tr> </tbody> </table>			INCH	METRIC	3 PLACE	± .010	---	2 PLACE	± .014	± 0.25	1 PLACE	---	± 0.35	<table border="1"> <tr> <td colspan="2">TITLE .093/(2.36) HOUSINGS PLUG AND RECEPTACLE 9 CKT., .264/(6.70) CTRS.</td> </tr> <tr> <td>MOLEX INCORPORATED LITSE, ILL. 60532 U.S.A.</td> <td>SHEET NO. 3 DATE 8/ 2/89</td> </tr> </table>		TITLE .093/(2.36) HOUSINGS PLUG AND RECEPTACLE 9 CKT., .264/(6.70) CTRS.		MOLEX INCORPORATED LITSE, ILL. 60532 U.S.A.	SHEET NO. 3 DATE 8/ 2/89
	INCH	METRIC																	
3 PLACE	± .010	---																	
2 PLACE	± .014	± 0.25																	
1 PLACE	---	± 0.35																	
TITLE .093/(2.36) HOUSINGS PLUG AND RECEPTACLE 9 CKT., .264/(6.70) CTRS.																			
MOLEX INCORPORATED LITSE, ILL. 60532 U.S.A.	SHEET NO. 3 DATE 8/ 2/89																		
DRAFT WHERE APPLICABLE MUST REMAIN WITHIN DIMENSIONS		PART NO. SD-3191-9*																	
DRWG. BY: GEP	CHK'D. BY: RW	FILE NAME: S31919X3.DGN	THIS DRAWING CONTAINS INFORMATION THAT IS PROPRIETARY TO MOLEX INC. AND SHOULD NOT BE USED WITHOUT WRITTEN PERMISSION																
APP'D. BY: RAS	SCALE: --:--	NO P.S. 1																	

LTR.	REVISIONS	LTR.	REVISIONS
		J	SEE SHT. 1