

HEF4894B

12-stage shift-and-store register LED driver

Rev. 8 — 22 November 2011

Product data sheet

1. General description

The HEF4894B is a 12-stage serial shift register. It has a storage latch associated with each stage for strobing data from the serial input (D) to the parallel LED driver outputs (QP0 to QP11). Data is shifted on positive-going clock (CP) transitions. The data in each shift register stage is transferred to the storage register when the strobe (STR) input is HIGH. Data in the storage register appears at the output whenever the output enable (OE) input signal is HIGH.

Two serial outputs (QS1 and QS2) are available for cascading a number of HEF4894B devices. Serial data is available at QS1 on positive-going clock edges to allow high-speed operation in cascaded systems with a fast clock rise time. The same serial data is available at QS2 on the next negative going clock edge. This is used for cascading HEF4894B devices when the clock has a slow rise time.

It operates over a recommended V_{DD} power supply range of 3 V to 15 V referenced to V_{SS} (usually ground). Unused inputs must be connected to V_{DD} , V_{SS} , or another input.

2. Features and benefits

- Fully static operation
- 5 V, 10 V, and 15 V parametric ratings
- Standardized symmetrical output characteristics
- Specified from $-40\text{ }^{\circ}\text{C}$ to $+85\text{ }^{\circ}\text{C}$ and $-40\text{ }^{\circ}\text{C}$ to $+125\text{ }^{\circ}\text{C}$
- Complies with JEDEC standard JESD 13-B

3. Ordering information

Table 1. Ordering information

All types operate from $-40\text{ }^{\circ}\text{C}$ to $+125\text{ }^{\circ}\text{C}$.

Type number	Package		
	Name	Description	Version
HEF4894BP	DIP20	plastic dual in-line package; 20 leads (300 mil)	SOT146-1
HEF4894BT	SO20	plastic small outline package; 20 leads; body width 7.5 mm	SOT163-1
HEF4894BTT	TSSOP20	plastic thin shrink small outline package; 20 leads; body width 4.4 mm	SOT360-1



4. Functional diagram

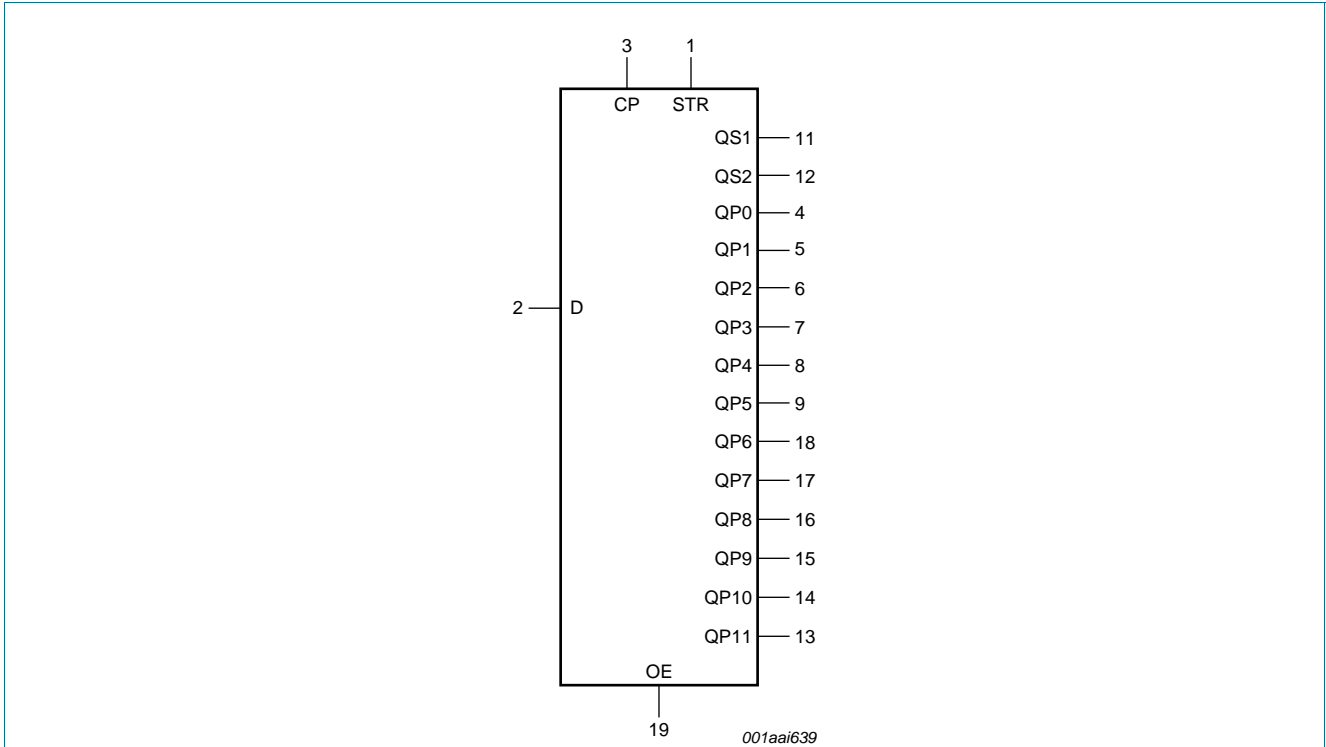


Fig 1. Logic Symbol

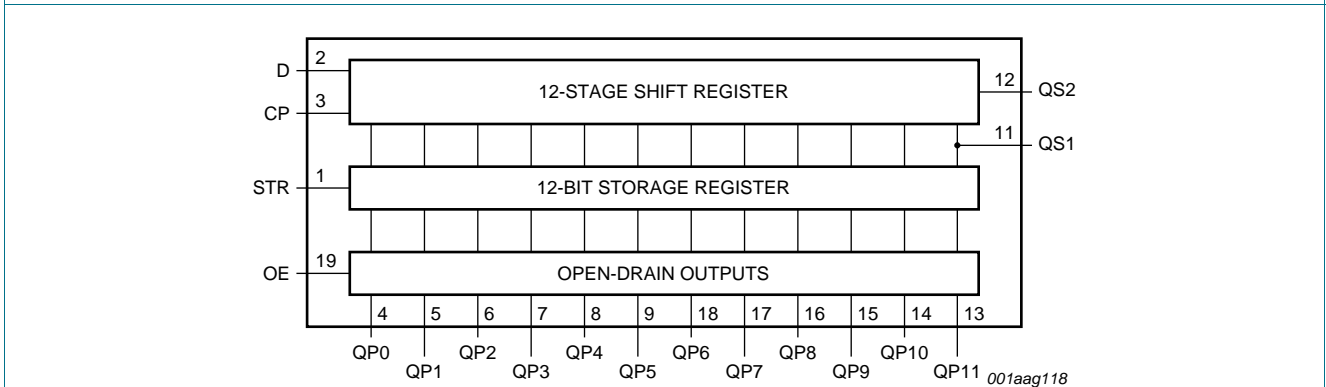


Fig 2. Functional diagram

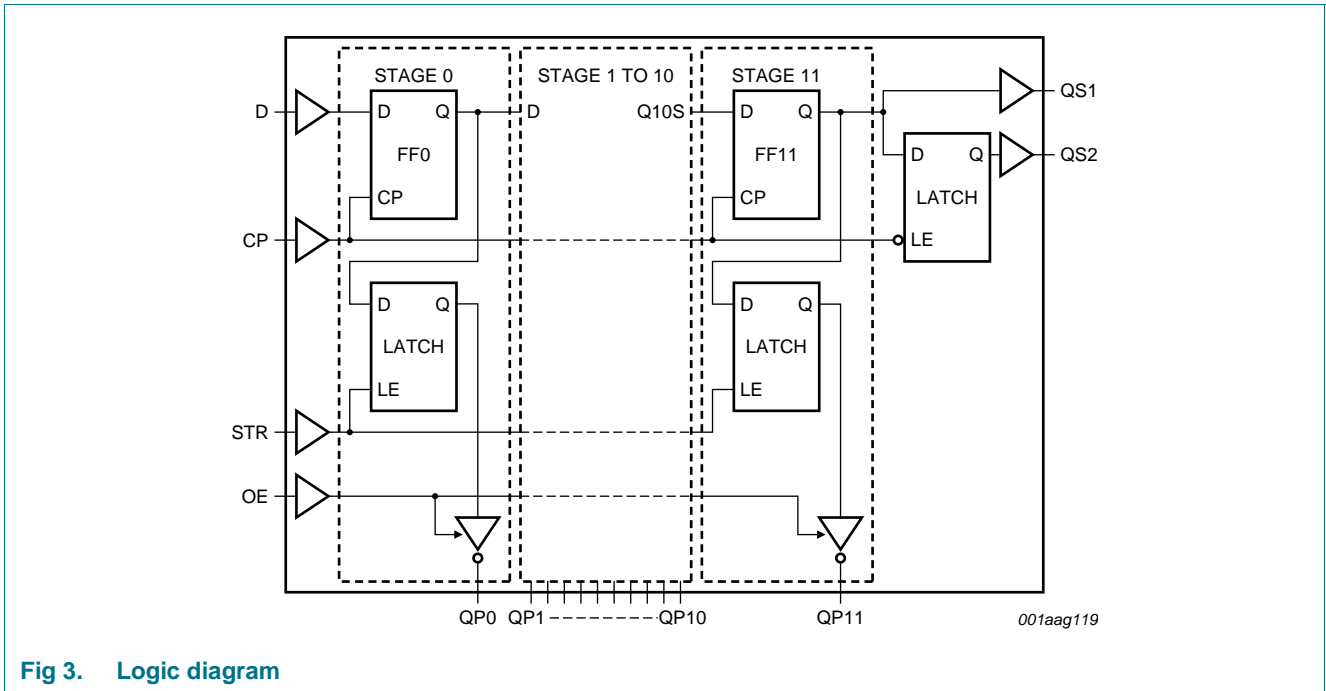


Fig 3. Logic diagram

5. Pinning information

5.1 Pinning

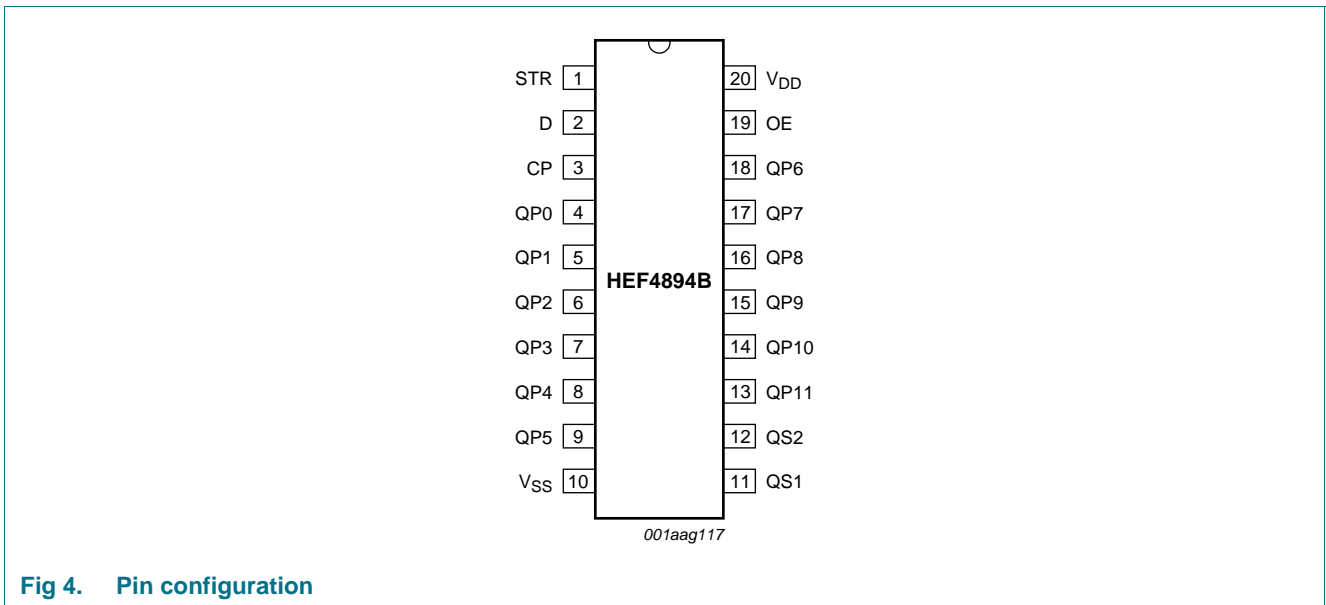


Fig 4. Pin configuration

5.2 Pin description

Table 2. Pin description

Symbol	Pin	Description
D	2	serial input
QP0 to QP11	4, 5, 6, 7, 8, 9, 18, 17, 16, 15, 14, 13	parallel output
QS1	11	serial output
QS2	12	serial output
CP	3	clock input
STR	1	strobe input
OE	19	output enable input
V _{DD}	20	supply voltage
V _{SS}	10	ground (0 V)

6. Functional description

Table 3. Function table^[1]

At the positive clock edge the information in the 10th register stage is transferred to the 11th register stage and the QS output

Control			Input	Parallel output		Serial output	
CP	OE	STR	D	QP0	QPn	QS1 ^[2]	QS2 ^[3]
↑	L	X	X	Z	Z	Q10S	no change
↓	L	X	X	Z	Z	no change	Q11S
↑	H	L	X	no change	no change	Q10S	no change
↑	H	H	L	Z	QPn – 1	Q10S	no change
↑	H	H	H	L	QPn – 1	Q10S	no change
↓	H	H	H	no change	no change	no change	Q11S

[1] H = HIGH voltage level; L = LOW voltage level; X = don't care; ↑ = LOW-to-HIGH clock transition; ↓ = HIGH-to-LOW clock transition; Z = high-impedance OFF-state.

[2] Q10S = the data in register stage 10 before the LOW to HIGH clock transition.

[3] Q11S = the data in register stage 11 before the HIGH to LOW clock transition.

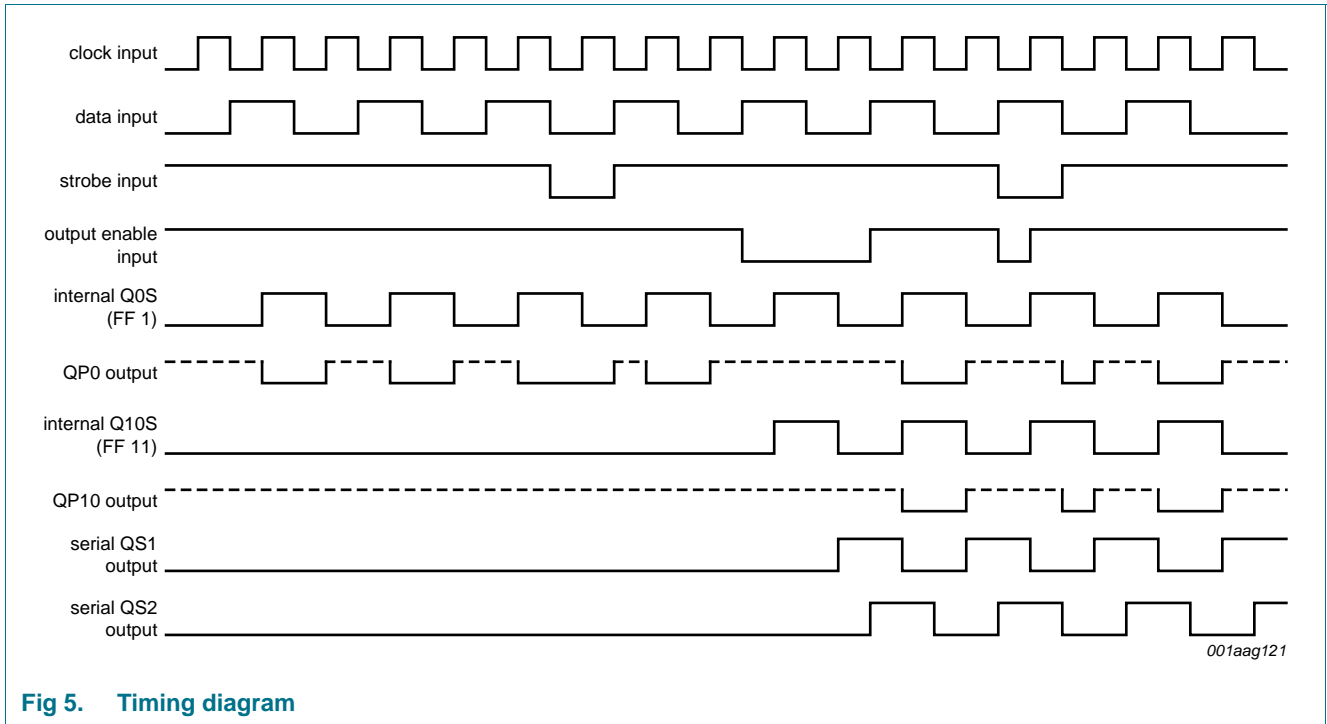


Fig 5. Timing diagram

7. Limiting values

Table 4. Limiting values

In accordance with the Absolute Maximum Rating System (IEC 60134).

Symbol	Parameter	Conditions	Min	Max	Unit	
V_{DD}	supply voltage		-0.5	+18	V	
I_{IK}	input clamping current	$V_I < -0.5\text{ V}$ or $V_I > V_{DD} + 0.5\text{ V}$	-	± 10	mA	
V_I	input voltage		-0.5	$V_{DD} + 0.5$	V	
I_{OK}	output clamping current	QSn outputs; $V_O < -0.5\text{ V}$ or $V_O > V_{DD} + 0.5\text{ V}$	-	± 10	mA	
		QPn outputs; $V_O < 0.5\text{ V}$	-	40	mA	
I_I	input leakage current		-	± 10	mA	
I_O	output current	QSn outputs	-	± 10	mA	
		QPn outputs	-	40	mA	
T_{stg}	storage temperature		-65	+150	°C	
T_{amb}	ambient temperature		-40	+125	°C	
P_{tot}	total power dissipation	$T_{amb} = -40\text{ °C}$ to $+125\text{ °C}$				
		DIP20 package	[1]	-	750	mW
		SO20 package	[2]	-	500	mW
		TSSOP20 package	[3]	-	500	mW
P	power dissipation	per output	-	100	mW	

[1] For DIP20 package: P_{tot} derates linearly with 12 mW/K above 70 °C.

[2] For SO20 package: P_{tot} derates linearly with 8 mW/K above 70 °C.

[3] For TSSOP20 package: P_{tot} derates linearly with 5.5 mW/K above 60 °C.

8. Recommended operating conditions

Table 5. Recommended operating conditions

Symbol	Parameter	Conditions	Min	Typ	Max	Unit
V _{DD}	supply voltage		3	-	15	V
V _I	input voltage		0	-	V _{DD}	V
T _{amb}	ambient temperature	in free air	-40	-	+125	°C
Δt/ΔV	input transition rise and fall rate	V _{DD} = 5 V	-	-	3.75	μs/V
		V _{DD} = 10 V	-	-	0.5	μs/V
		V _{DD} = 15 V	-	-	0.08	μs/V

9. Static characteristics

Table 6. Static characteristics

V_{SS} = 0 V; V_I = V_{SS} or V_{DD}; unless otherwise specified.

Symbol	Parameter	Conditions	V _{DD}	T _{amb} = -40 °C		T _{amb} = +25 °C		T _{amb} = +85 °C		T _{amb} = +125 °C		Unit	
				Min	Max	Min	Max	Min	Max	Min	Max		
V _{IH}	HIGH-level input voltage	I _O < 1 μA	5 V	3.5	-	3.5	-	3.5	-	3.5	-	V	
			10 V	7.0	-	7.0	-	7.0	-	7.0	-	V	
			15 V	11.0	-	11.0	-	11.0	-	11.0	-	V	
V _{IL}	LOW-level input voltage	I _O < 1 μA	5 V	-	1.5	-	1.5	-	1.5	-	1.5	V	
			10 V	-	3.0	-	3.0	-	3.0	-	3.0	V	
			15 V	-	4.0	-	4.0	-	4.0	-	4.0	V	
V _{OH}	HIGH-level output voltage	QSn outputs; I _O < 1 μA	5 V	4.95	-	4.95	-	4.95	-	4.95	-	V	
			10 V	9.95	-	9.95	-	9.95	-	9.95	-	V	
			15 V	14.95	-	14.95	-	14.95	-	14.95	-	V	
V _{OL}	LOW-level output voltage	QSn outputs; I _O < 1 μA	5 V	-	0.05	-	0.05	-	0.05	-	0.05	V	
			10 V	-	0.05	-	0.05	-	0.05	-	0.05	V	
			15 V	-	0.05	-	0.05	-	0.05	-	0.05	V	
		QPn outputs; I _O < 20 mA	5 V	-	0.75	-	0.75	-	1.5	-	1.5	V	
			10 V	-	0.75	-	0.75	-	1.5	-	1.5	V	
			15 V	-	0.75	-	0.75	-	1.5	-	1.5	V	
I _{OH}	HIGH-level output current	QSn outputs	V _O = 2.5 V	5 V	-	-1.7	-	-1.4	-	-1.1	-	-1.1	mA
			V _O = 4.6 V	5 V	-	-0.64	-	-0.5	-	-0.36	-	-0.36	mA
			V _O = 9.5 V	10 V	-	-1.6	-	-1.3	-	-0.9	-	-0.9	mA
			V _O = 13.5 V	15 V	-	-4.2	-	-3.4	-	-2.4	-	-2.4	mA
I _{OL}	LOW-level output current	QSn outputs	V _O = 0.4 V	5 V	0.64	-	0.5	-	0.36	-	0.36	-	mA
			V _O = 0.5 V	10 V	1.6	-	1.3	-	0.9	-	0.9	-	mA
			V _O = 1.5 V	15 V	4.2	-	3.2	-	2.4	-	2.4	-	mA
I _I	input leakage current		15 V	-	±0.1	-	±0.1	-	±1.0	-	±1.0	μA	

Table 6. Static characteristics ...continued
 $V_{SS} = 0\text{ V}$; $V_I = V_{SS}$ or V_{DD} ; unless otherwise specified.

Symbol	Parameter	Conditions	V_{DD}	$T_{amb} = -40\text{ }^\circ\text{C}$		$T_{amb} = +25\text{ }^\circ\text{C}$		$T_{amb} = +85\text{ }^\circ\text{C}$		$T_{amb} = +125\text{ }^\circ\text{C}$		Unit
				Min	Max	Min	Max	Min	Max	Min	Max	
I_{OZ}	OFF-state output current	QPn output is HIGH; $V_O = 15\text{ V}$	5 V	-	2	-	2	-	15	-	15	μA
			10 V	-	2	-	2	-	15	-	15	μA
			15 V	-	2	-	2	-	15	-	15	μA
I_{DD}	supply current	$I_O = 0\text{ A}$	5 V	-	5	-	5	-	150	-	150	μA
			10 V	-	10	-	10	-	300	-	300	μA
			15 V	-	20	-	20	-	600	-	600	μA
C_I	input capacitance		-	-	-	7.5	-	-	-	-	pF	

10. Dynamic characteristics

Table 7. Dynamic characteristics
 $V_{SS} = 0\text{ V}$; $T_{amb} = 25\text{ }^\circ\text{C}$ unless otherwise specified. For test circuit see [Figure 10](#).

Symbol	Parameter	Conditions	V_{DD}	Extrapolation formula	Min	Typ	Max	Unit
t_{PHL}	HIGH to LOW propagation delay	CP to QS1; see Figure 6	5 V	[1] $132\text{ ns} + (0.55\text{ ns/pF})C_L$	-	160	320	ns
			10 V	$53\text{ ns} + (0.23\text{ ns/pF})C_L$	-	65	130	ns
			15 V	$37\text{ ns} + (0.16\text{ ns/pF})C_L$	-	45	90	ns
		CP to QS2; see Figure 6	5 V	$92\text{ ns} + (0.55\text{ ns/pF})C_L$	-	120	240	ns
			10 V	$39\text{ ns} + (0.23\text{ ns/pF})C_L$	-	50	100	ns
			15 V	$32\text{ ns} + (0.16\text{ ns/pF})C_L$	-	40	80	ns
t_{PLH}	LOW to HIGH propagation delay	CP to QS1; see Figure 6	5 V	[1] $102\text{ ns} + (0.55\text{ ns/pF})C_L$	-	130	260	ns
			10 V	$44\text{ ns} + (0.23\text{ ns/pF})C_L$	-	55	110	ns
			15 V	$32\text{ ns} + (0.16\text{ ns/pF})C_L$	-	40	80	ns
		CP to QS2; see Figure 6	5 V	$102\text{ ns} + (0.55\text{ ns/pF})C_L$	-	130	260	ns
			10 V	$49\text{ ns} + (0.23\text{ ns/pF})C_L$	-	60	120	ns
			15 V	$37\text{ ns} + (0.16\text{ ns/pF})C_L$	-	45	90	ns
t_{PZL}	OFF-state to LOW propagation delay	CP to QPn; see Figure 6	5 V		-	240	480	ns
			10 V		-	80	160	ns
			15 V		-	55	110	ns
		STR to QPn; see Figure 7	5 V		-	140	280	ns
			10 V		-	70	140	ns
			15 V		-	55	110	ns
t_{PLZ}	LOW to OFF-state propagation delay	CP to QPn; see Figure 6 and 7	5 V		-	170	340	ns
			10 V		-	75	150	ns
			15 V		-	60	120	ns
		STR to QPn; see Figure 7	5 V		-	100	200	ns
			10 V		-	40	100	ns
			15 V		-	35	70	ns

Table 7. Dynamic characteristics ...continued

$V_{SS} = 0\text{ V}$; $T_{amb} = 25\text{ °C}$ unless otherwise specified. For test circuit see [Figure 10](#).

Symbol	Parameter	Conditions	V_{DD}	Extrapolation formula	Min	Typ	Max	Unit	
t_{en}		OE to QPn; see Figure 8	5 V	[2]	-	100	200	ns	
			10 V		-	55	110	ns	
			15 V		-	50	100	ns	
t_{dis}		OE to QPn; see Figure 8	5 V	[2]	-	80	160	ns	
			10 V		-	40	80	ns	
			15 V		-	30	60	ns	
t_t	transition time	QS1, QS2; see Figure 6	5 V	[1][3]		85	170	ns	
			10 V		$35\text{ ns} + (1.00\text{ ns/pF})C_L$	-	40	80	ns
			15 V		$19\text{ ns} + (0.42\text{ ns/pF})C_L$	-	30	60	ns
t_W	pulse width	CP; LOW and HIGH; see Figure 6	5 V		60	30	-	ns	
			10 V		30	15	-	ns	
			15 V		24	12	-	ns	
		STR; HIGH; see Figure 7	5 V		80	40	-	ns	
			10 V		60	30	-	ns	
			15 V		24	12	-	ns	
t_{su}	set-up time	D to CP; see Figure 9	5 V		60	30	-	ns	
			10 V		20	10	-	ns	
			15 V		15	5	-	ns	
t_h	hold time	D to CP; see Figure 9	5 V		+5	-15	-	ns	
			10 V		20	5	-	ns	
			15 V		20	5	-	ns	
$f_{clk(max)}$	maximum clock frequency	CP; see Figure 6	5 V		5	10	-	MHz	
			10 V		11	22	-	MHz	
			15 V		14	28	-	MHz	

[1] The typical values of the propagation delay and transition times are calculated from the extrapolation formulas shown (C_L in pF).

[2] t_{en} is the same as t_{PZL} and t_{dis} is the same as t_{PLZ} .

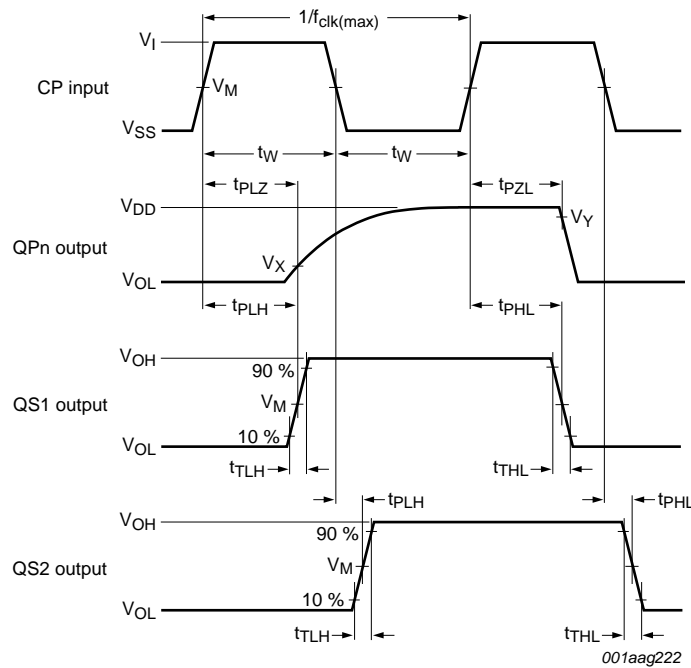
[3] t_t is the same as t_{TLH} and t_{THL} .

Table 8. Dynamic power dissipation

P_D can be calculated from the formulas shown. $V_{SS} = 0\text{ V}$; $t_r = t_f \leq 20\text{ ns}$; $T_{amb} = 25\text{ °C}$.

Symbol	Parameter	V_{DD}	Typical formula	Where
P_D	dynamic power dissipation	5 V	$P_D = 1200 \times f_i + \Sigma(f_o \times C_L) \times V_{DD}^2\ \mu\text{W}$	f_i = input frequency in MHz; f_o = output frequency in MHz; C_L = output load capacitance in pF; $\Sigma(f_o \times C_L)$ = sum of the outputs; V_{DD} = supply voltage in V.
		10 V	$P_D = 5550 \times f_i + \Sigma(f_o \times C_L) \times V_{DD}^2\ \mu\text{W}$	
		15 V	$P_D = 15000 \times f_i + \Sigma(f_o \times C_L) \times V_{DD}^2\ \mu\text{W}$	

11. Waveforms

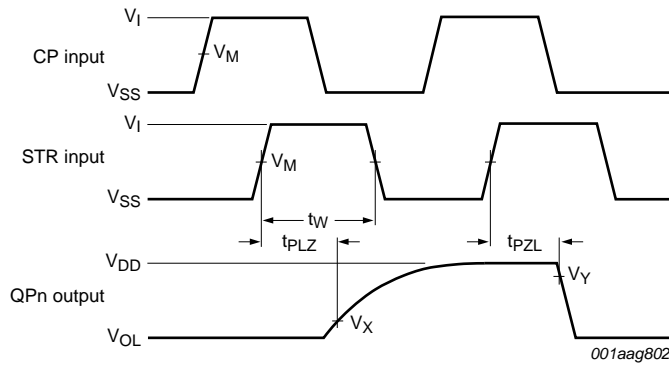


Parallel output measurement points are given in [Table 9](#).
 V_{OL} and V_{OH} are typical output voltage levels that occur with the output load.

Fig 6. Propagation delay clock (CP) to output (QPn, QS1, QS2), clock pulse width and maximum clock frequency

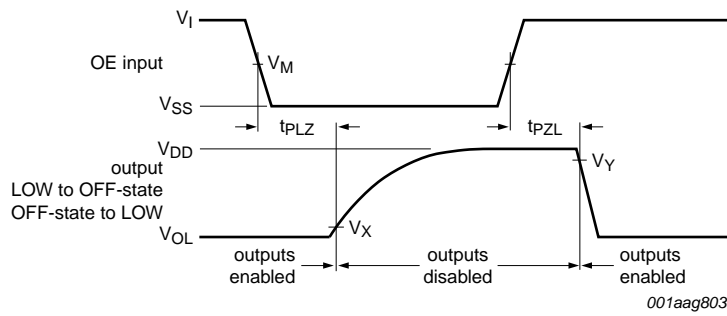
Table 9. Measurement points

Supply	Input	Output		
V_{DD}	V_M	V_M	V_X	V_Y
5 V to 15 V	$0.5V_{DD}$	$0.5V_{DD}$	$0.1V_O$	$0.9V_O$



Measurement points are given in [Table 9](#).
 V_{OL} is the typical output voltage level that occurs with the output load.

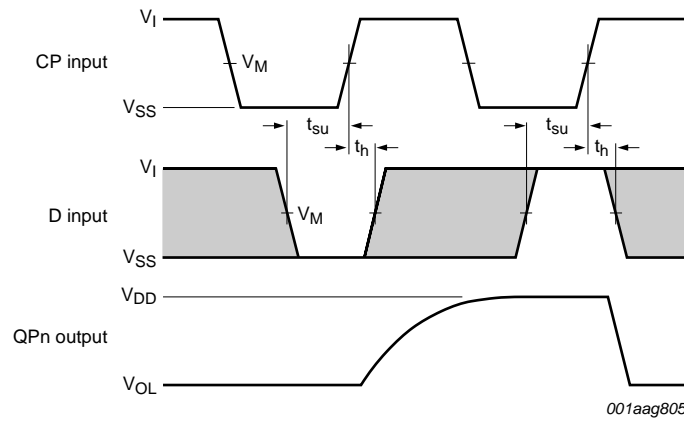
Fig 7. Strobe (STR) to output (QPn) propagation delays and the strobe pulse width



Measurement points are given in [Table 9](#).

V_{OL} is the typical output voltage level that occurs with the output load.

Fig 8. Enable and disable times for input OE

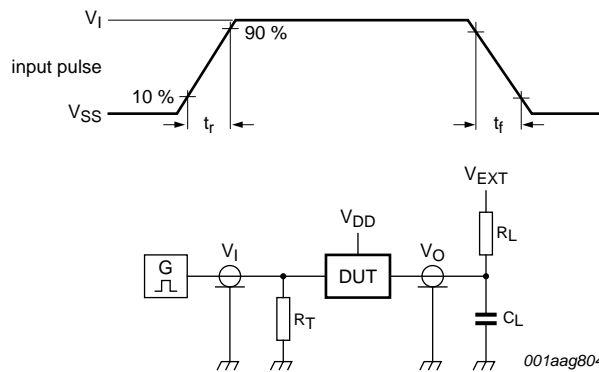


Measurement points are given in [Table 9](#).

V_{OL} is a typical output voltage level that occurs with the output load.

The shaded areas indicate when the input is permitted to change for predictable output performance.

Fig 9. Set-up and hold times for the data input (D)



Test data is given in [Table 10](#).

Definitions for test circuit:

DUT = Device Under Test;

R_L = Load resistance;

C_L = load capacitance;

R_T = Termination resistance should be equal to output impedance of Z_o of the pulse generator;

V_{EXT} = External voltage for measuring switching times.

Fig 10. Test circuit for measuring switching times

Table 10. Test data

Supply	Input		V_{EXT}		Load	
V_{DD}	V_I	t_r, t_f	t_{PLZ}, t_{PZL}	t_{PLH}, t_{PHL}	C_L	R_L
5 V to 15 V	V_{DD}	≤ 20 ns	V_{DD}	open	50 pF	1 k Ω

12. Application information

Application example: serial-to-parallel data converting LED driver.

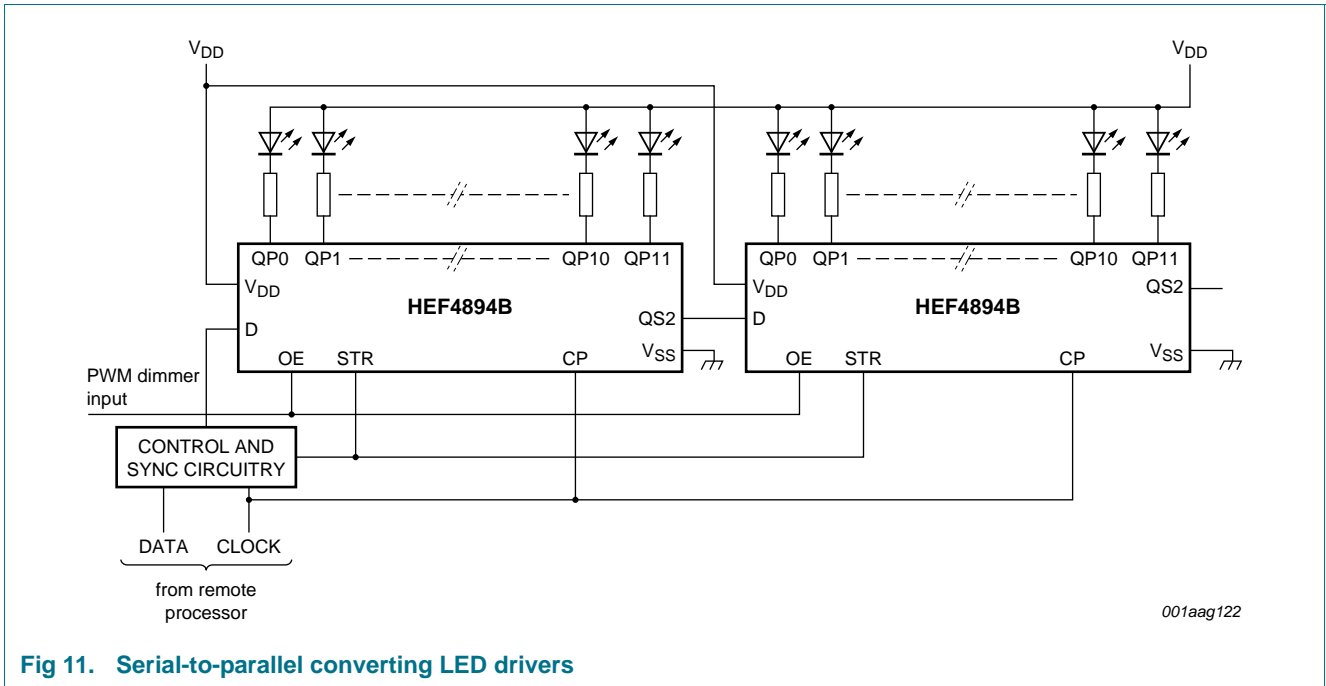


Fig 11. Serial-to-parallel converting LED drivers

13. Package outline

DIP20: plastic dual in-line package; 20 leads (300 mil)

SOT146-1

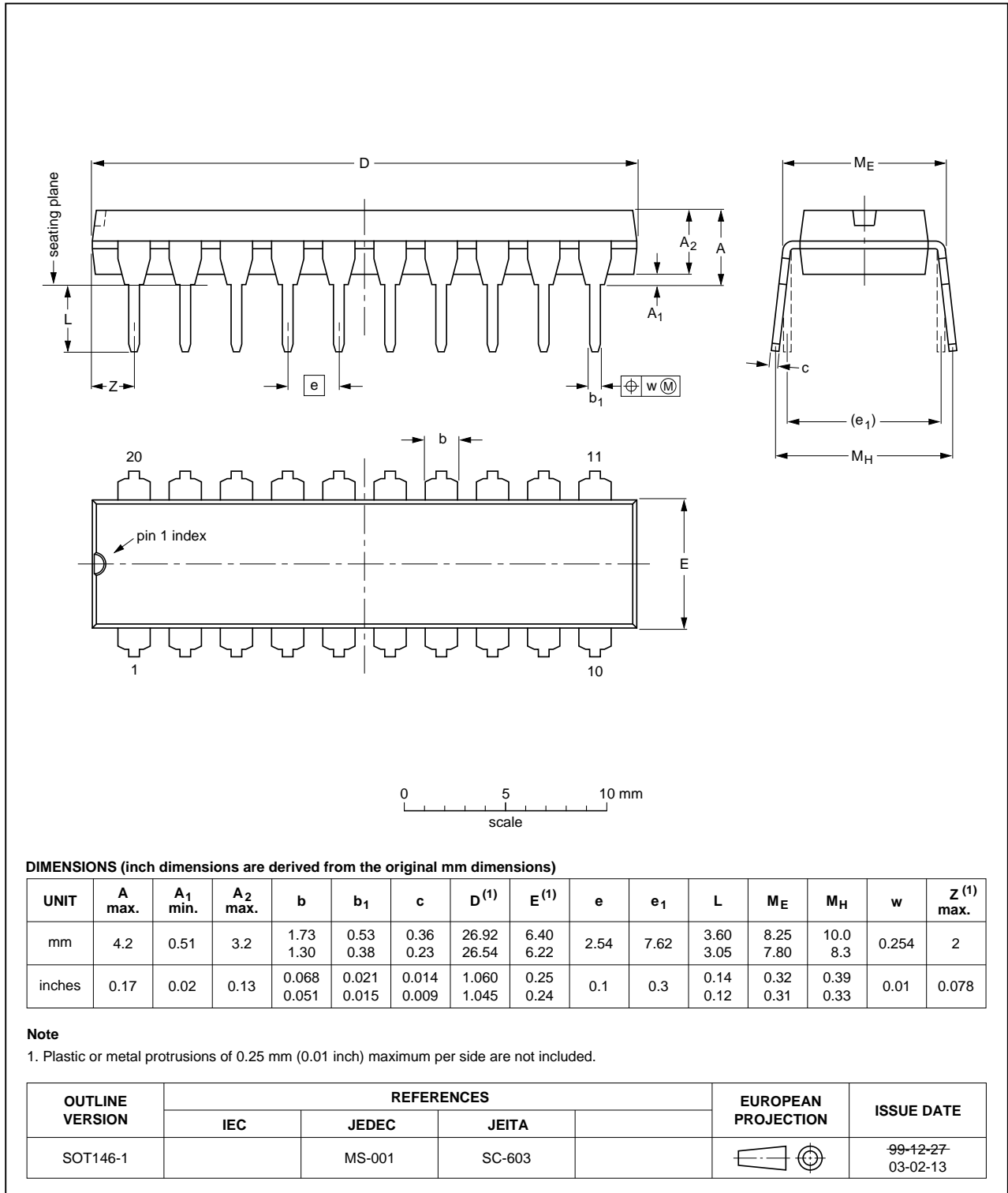


Fig 12. Package outline SOT146-1 (DIP20)

SO20: plastic small outline package; 20 leads; body width 7.5 mm

SOT163-1

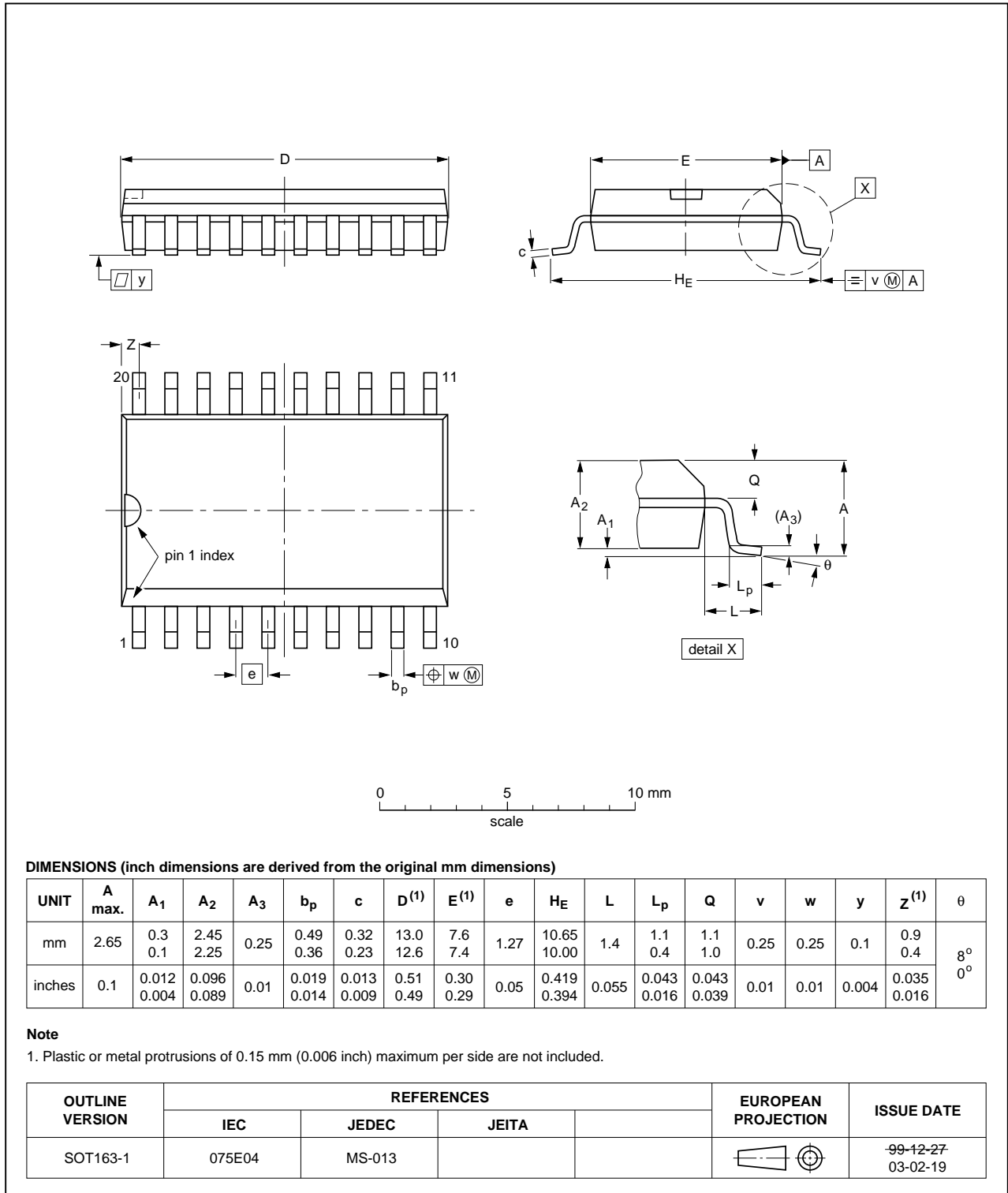


Fig 13. Package outline SOT163-1 (SO20)

TSSOP20: plastic thin shrink small outline package; 20 leads; body width 4.4 mm

SOT360-1

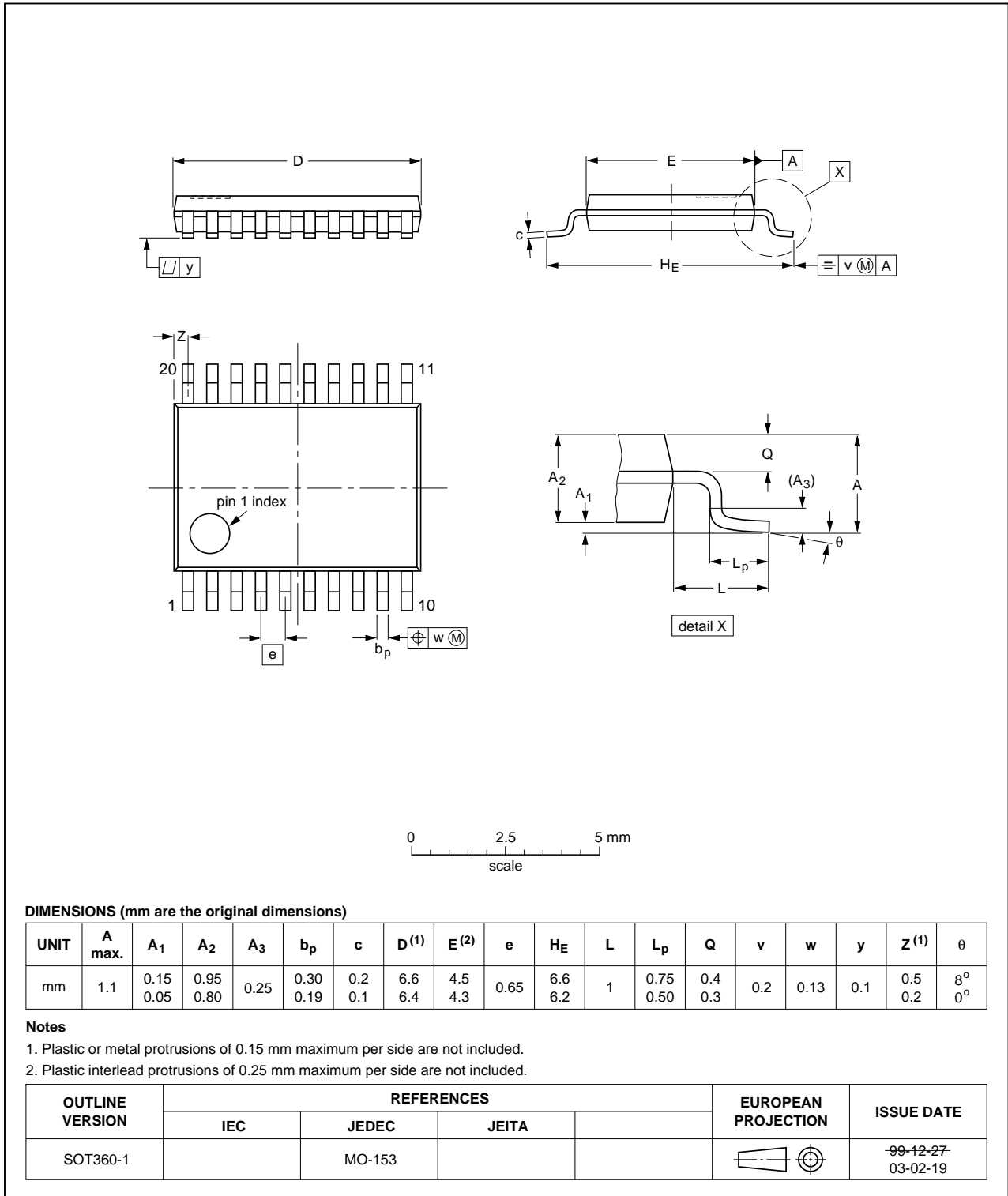


Fig 14. Package outline SOT360-1 (TSSOP20)

14. Revision history

Table 11. Revision history

Document ID	Release date	Data sheet status	Change notice	Supersedes
HEF4894B v.8	20111122	Product data sheet	-	HEF4894B v.7
Modifications:	<ul style="list-style-type: none">• Section Applications removed• Table 6: I_{OH} minimum values changed to maximum			
HEF4894B v.7	20100813	Product data sheet	-	HEF4894B v.6
HEF4894B v.6	20100408	Product data sheet	-	HEF4894B v.5
HEF4894B v.5	20091222	Product data sheet	-	HEF4894B v.4
HEF4894B v.4	20080827	Product data sheet	-	HEF4894B_CNV v.3
HEF4894B_CNV v.3	19950101	Product specification	-	HEF4894B_CNV v.2
HEF4894B_CNV v.2	19950101	Product specification	-	-

15. Legal information

15.1 Data sheet status

Document status ^{[1][2]}	Product status ^[3]	Definition
Objective [short] data sheet	Development	This document contains data from the objective specification for product development.
Preliminary [short] data sheet	Qualification	This document contains data from the preliminary specification.
Product [short] data sheet	Production	This document contains the product specification.

[1] Please consult the most recently issued document before initiating or completing a design.

[2] The term 'short data sheet' is explained in section "Definitions".

[3] The product status of device(s) described in this document may have changed since this document was published and may differ in case of multiple devices. The latest product status information is available on the Internet at URL <http://www.nxp.com>.

15.2 Definitions

Draft — The document is a draft version only. The content is still under internal review and subject to formal approval, which may result in modifications or additions. NXP Semiconductors does not give any representations or warranties as to the accuracy or completeness of information included herein and shall have no liability for the consequences of use of such information.

Short data sheet — A short data sheet is an extract from a full data sheet with the same product type number(s) and title. A short data sheet is intended for quick reference only and should not be relied upon to contain detailed and full information. For detailed and full information see the relevant full data sheet, which is available on request via the local NXP Semiconductors sales office. In case of any inconsistency or conflict with the short data sheet, the full data sheet shall prevail.

Product specification — The information and data provided in a Product data sheet shall define the specification of the product as agreed between NXP Semiconductors and its customer, unless NXP Semiconductors and customer have explicitly agreed otherwise in writing. In no event however, shall an agreement be valid in which the NXP Semiconductors product is deemed to offer functions and qualities beyond those described in the Product data sheet.

15.3 Disclaimers

Limited warranty and liability — Information in this document is believed to be accurate and reliable. However, NXP Semiconductors does not give any representations or warranties, expressed or implied, as to the accuracy or completeness of such information and shall have no liability for the consequences of use of such information.

In no event shall NXP Semiconductors be liable for any indirect, incidental, punitive, special or consequential damages (including - without limitation - lost profits, lost savings, business interruption, costs related to the removal or replacement of any products or rework charges) whether or not such damages are based on tort (including negligence), warranty, breach of contract or any other legal theory.

Notwithstanding any damages that customer might incur for any reason whatsoever, NXP Semiconductors' aggregate and cumulative liability towards customer for the products described herein shall be limited in accordance with the *Terms and conditions of commercial sale* of NXP Semiconductors.

Right to make changes — NXP Semiconductors reserves the right to make changes to information published in this document, including without limitation specifications and product descriptions, at any time and without notice. This document supersedes and replaces all information supplied prior to the publication hereof.

Suitability for use — NXP Semiconductors products are not designed, authorized or warranted to be suitable for use in life support, life-critical or safety-critical systems or equipment, nor in applications where failure or

malfunction of an NXP Semiconductors product can reasonably be expected to result in personal injury, death or severe property or environmental damage. NXP Semiconductors accepts no liability for inclusion and/or use of NXP Semiconductors products in such equipment or applications and therefore such inclusion and/or use is at the customer's own risk.

Applications — Applications that are described herein for any of these products are for illustrative purposes only. NXP Semiconductors makes no representation or warranty that such applications will be suitable for the specified use without further testing or modification.

Customers are responsible for the design and operation of their applications and products using NXP Semiconductors products, and NXP Semiconductors accepts no liability for any assistance with applications or customer product design. It is customer's sole responsibility to determine whether the NXP Semiconductors product is suitable and fit for the customer's applications and products planned, as well as for the planned application and use of customer's third party customer(s). Customers should provide appropriate design and operating safeguards to minimize the risks associated with their applications and products.

NXP Semiconductors does not accept any liability related to any default, damage, costs or problem which is based on any weakness or default in the customer's applications or products, or the application or use by customer's third party customer(s). Customer is responsible for doing all necessary testing for the customer's applications and products using NXP Semiconductors products in order to avoid a default of the applications and the products or of the application or use by customer's third party customer(s). NXP does not accept any liability in this respect.

Limiting values — Stress above one or more limiting values (as defined in the Absolute Maximum Ratings System of IEC 60134) will cause permanent damage to the device. Limiting values are stress ratings only and (proper) operation of the device at these or any other conditions above those given in the Recommended operating conditions section (if present) or the Characteristics sections of this document is not warranted. Constant or repeated exposure to limiting values will permanently and irreversibly affect the quality and reliability of the device.

Terms and conditions of commercial sale — NXP Semiconductors products are sold subject to the general terms and conditions of commercial sale, as published at <http://www.nxp.com/profile/terms>, unless otherwise agreed in a valid written individual agreement. In case an individual agreement is concluded only the terms and conditions of the respective agreement shall apply. NXP Semiconductors hereby expressly objects to applying the customer's general terms and conditions with regard to the purchase of NXP Semiconductors products by customer.

No offer to sell or license — Nothing in this document may be interpreted or construed as an offer to sell products that is open for acceptance or the grant, conveyance or implication of any license under any copyrights, patents or other industrial or intellectual property rights.

Export control — This document as well as the item(s) described herein may be subject to export control regulations. Export might require a prior authorization from competent authorities.

Non-automotive qualified products — Unless this data sheet expressly states that this specific NXP Semiconductors product is automotive qualified, the product is not suitable for automotive use. It is neither qualified nor tested in accordance with automotive testing or application requirements. NXP Semiconductors accepts no liability for inclusion and/or use of non-automotive qualified products in automotive equipment or applications.

In the event that customer uses the product for design-in and use in automotive applications to automotive specifications and standards, customer (a) shall use the product without NXP Semiconductors' warranty of the product for such automotive applications, use and specifications, and (b) whenever customer uses the product for automotive applications beyond

NXP Semiconductors' specifications such use shall be solely at customer's own risk, and (c) customer fully indemnifies NXP Semiconductors for any liability, damages or failed product claims resulting from customer design and use of the product for automotive applications beyond NXP Semiconductors' standard warranty and NXP Semiconductors' product specifications.

15.4 Trademarks

Notice: All referenced brands, product names, service names and trademarks are the property of their respective owners.

16. Contact information

For more information, please visit: <http://www.nxp.com>

For sales office addresses, please send an email to: salesaddresses@nxp.com

17. Contents

1	General description	1
2	Features and benefits	1
3	Ordering information	1
4	Functional diagram	2
5	Pinning information	3
5.1	Pinning	3
5.2	Pin description	4
6	Functional description	4
7	Limiting values	5
8	Recommended operating conditions	6
9	Static characteristics	6
10	Dynamic characteristics	7
11	Waveforms	9
12	Application information	12
13	Package outline	13
14	Revision history	16
15	Legal information	17
15.1	Data sheet status	17
15.2	Definitions	17
15.3	Disclaimers	17
15.4	Trademarks	18
16	Contact information	18
17	Contents	19

Please be aware that important notices concerning this document and the product(s) described herein, have been included in section 'Legal information'.

© NXP B.V. 2011.

All rights reserved.

For more information, please visit: <http://www.nxp.com>

For sales office addresses, please send an email to: salesaddresses@nxp.com

Date of release: 22 November 2011

Document identifier: HEF4894B

Mouser Electronics

Authorized Distributor

Click to View Pricing, Inventory, Delivery & Lifecycle Information:

[NXP:](#)

[HEF4894BTT,112](#) [HEF4894BTT,118](#) [HEF4894BT-Q118](#)