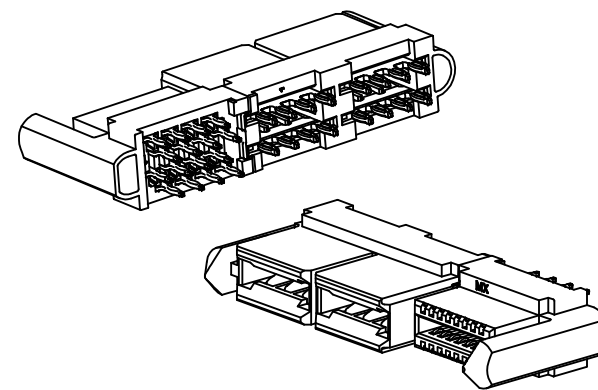
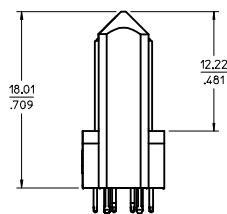
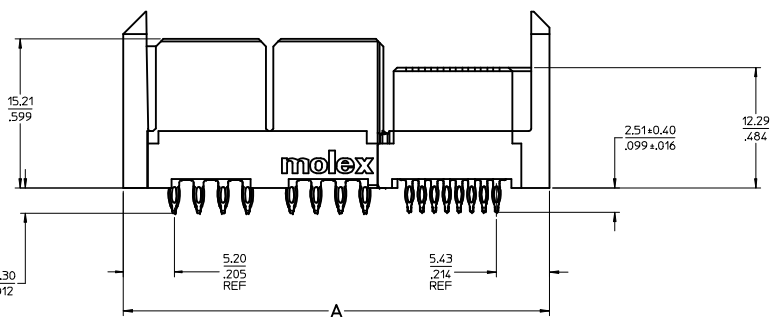
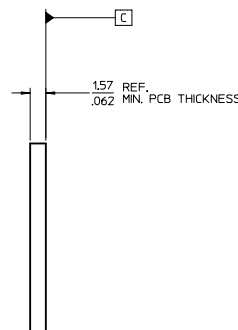
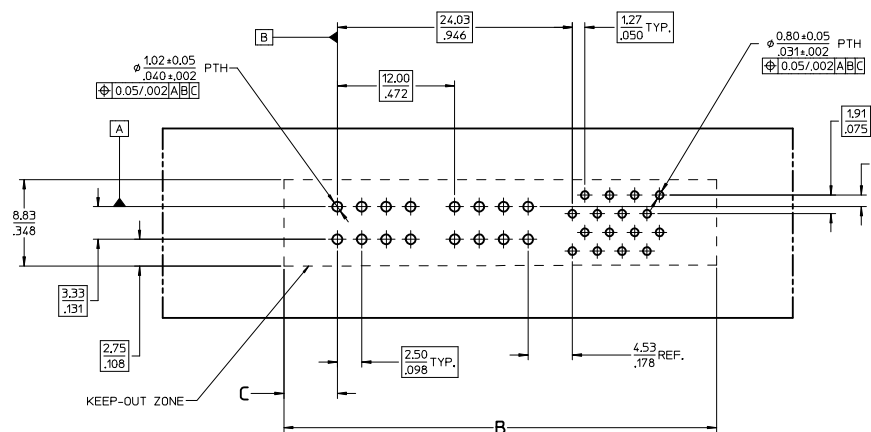


NO OF SIGNALS	MATERIAL NUMBER	COMPLIANT PIN PLATING	DIM A	DIM B	DIM C
12	46114-4120	TIN	4.10/1.615	4.15/1.634	5.45/2.15
16	46114-4160	TIN	4.355/1.715	4.405/1.734	
20	46114-4200	TIN	4.609/1.815	4.659/1.834	
24	46114-4240	TIN	4.863/1.915	4.913/1.934	
28	46114-4280	TIN	5.117/2.015	5.167/2.004	
32	46114-4320	TIN	5.371/2.115	5.421/2.134	
36	46114-4360	TIN	5.625/2.215	5.675/2.234	
40	46114-4400	TIN	5.879/2.315	5.929/2.334	



MATERIAL # 46114-4160 SHOWN

- NOTES:
1. MATERIAL: HOUSING: LCP, 94-V0, COLOR: BLACK. POWER CONTACTS: COPPER ALLOY. SIGNAL CONTACTS: MODIFIED TIN BRASS.
 2. FINISH: SELECT GOLD - 0.75 μ M/30 μ INCHES. SELECTED TIN - 2.50 μ M/100 μ INCHES. BOTH OVER NICKEL - 1.25 μ M/50 μ INCHES.
 3. POWER TERMINALS ARE LUBRICATED IN CONTACT AREA.
 4. PARTS ARE RHIS COMPLIANT.
 5. MATES TO MOLEX P/N 45985-SERIES OR CARD EDGE 1577.062.
 6. PRODUCT SPECIFICATION PS-46114-001.
 7. PACKAGING: PER PK-46114-003.

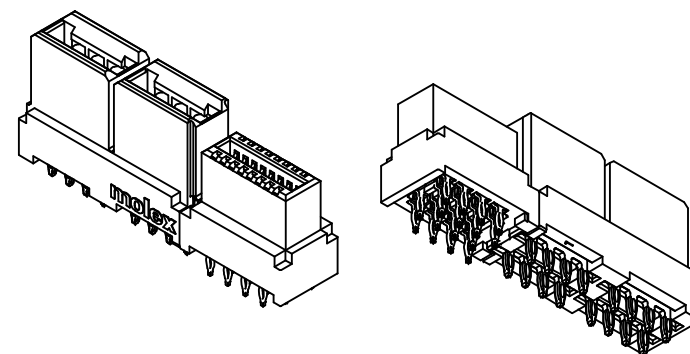
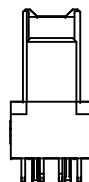
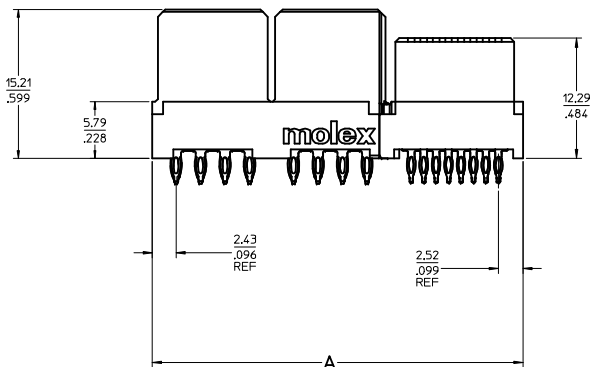
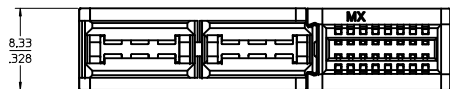


PCB COMPONENT SIDE
SCALE 4:1

ADD VIEWS EC NO: LCP2016-0623 DRAWN: BHANDIRA 2015/08/10 CHKD: APPR: BPSJZOR 2015/08/12 REV DESCRIPTION	QUALITY SYMBOLS $\nabla=0$ $\nabla=0$ $\nabla=0$		GENERAL TOLERANCES (UNLESS SPECIFIED) <table border="1"> <thead> <tr> <th></th> <th>mm</th> <th>INCH</th> </tr> </thead> <tbody> <tr> <td>4 PLACES</td> <td>\pm---</td> <td>\pm---</td> </tr> <tr> <td>3 PLACES</td> <td>\pm---</td> <td>\pm.010</td> </tr> <tr> <td>2 PLACES</td> <td>\pm0.25</td> <td>\pm---</td> </tr> <tr> <td>1 PLACE</td> <td>\pm---</td> <td>\pm---</td> </tr> <tr> <td>0 PLACE</td> <td>\pm</td> <td>\pm</td> </tr> </tbody> </table>			mm	INCH	4 PLACES	\pm ---	\pm ---	3 PLACES	\pm ---	\pm .010	2 PLACES	\pm 0.25	\pm ---	1 PLACE	\pm ---	\pm ---	0 PLACE	\pm	\pm	DIMENSION STYLE MM/IN DRAWN BY DATE MKARADIMAS 07/18/07 CHECKED BY DATE APATEL 07/20/07 APPROVED BY DATE JCOMERCI 2009/12/03		SCALE 4:1 DESIGN UNITS METRIC THIRD ANGLE PROJECTION	
		mm	INCH																							
	4 PLACES	\pm ---	\pm ---																							
	3 PLACES	\pm ---	\pm .010																							
2 PLACES	\pm 0.25	\pm ---																								
1 PLACE	\pm ---	\pm ---																								
0 PLACE	\pm	\pm																								
MATERIAL NO. SEE CHART DOCUMENT NO. SD-46114-400			SHEET NO. 1 OF 3		molex																					
THIS DRAWING CONTAINS INFORMATION THAT IS PROPRIETARY TO MOLEX INCORPORATED AND SHOULD NOT BE USED WITHOUT WRITTEN PERMISSION																										

20 19 18 17 16 15 14 13 12 11 10 9 8 7 6 5 4 3 2 1

NO OF SIGNALS	MATERIAL NUMBER	COMPLIANT PIN PLATING	DIM A	DIM B	DIM C
12	46114-4121	TIN	35.34/1.391	35.84/1.411	2.691/106
16	46114-4161	TIN	37.88/1.491	38.38/1.511	
20	46114-4201	TIN	40.42/1.591	40.92/1.611	
24	46114-4241	TIN	42.96/1.691	43.46/1.711	
28	46114-4281	TIN	45.50/1.791	46.00/1.811	
32	46114-4321	TIN	48.04/1.891	48.54/1.911	
36	46114-4361	TIN	50.58/1.991	51.08/2.011	
40	46114-4401	TIN	53.12/2.091	53.62/2.111	

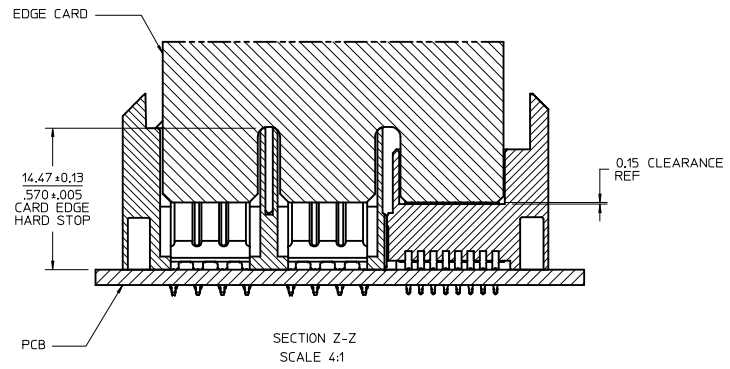


MATERIAL # 46114-4161 SHOWN

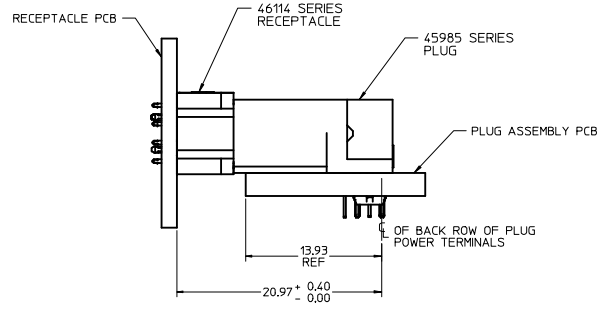
SEE SHEET 1 IEC NO: LCP2016-0623 DRAWN BY: DRWNRBANDURA 2015/08/10 CHKD: CHYD: APPR: BPI/SZCZOR 2015/08/12 REV: DESCRIPTION	QUALITY SYMBOLS	GENERAL TOLERANCES (UNLESS SPECIFIED)	DIMENSION STYLE	SCALE	DESIGN UNITS	THIRD ANGLE PROJECTION
	∇=0 ∇=0 ∇=0	4 PLACES # --- # --- 3 PLACES # --- # .010 2 PLACES # 0.25 # --- 1 PLACE # --- # --- 0 PLACE # #	mm INCH ANGULAR ±1/2° DRAFT WHERE APPLICABLE MUST REMAIN WITHIN DIMENSIONS	MM/IN DRAWN BY: MKARADI MAS DATE: 07/18/07 CHECKED BY: APATEL DATE: 07/20/07 APPROVED BY: JCOMERCJ DATE: 2009/12/03	4:1	METRIC
THIS DRAWING CONTAINS INFORMATION THAT IS PROPRIETARY TO MOLEX INCORPORATED AND SHOULD NOT BE USED WITHOUT WRITTEN PERMISSION						SHEET NO: 2 OF 3

19 18 17 16 15 14 13 12 11 10 9 8 7 6 5 4 3 2 1

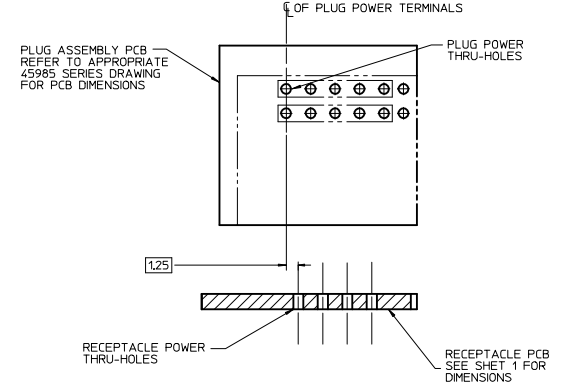
NO OF SIGNAL	DIM. D
12	8.00/315
16	10.54/415
20	13.08/515
24	15.62/615
28	18.16/715
32	20.70/815
36	23.24/915
40	25.78/1015



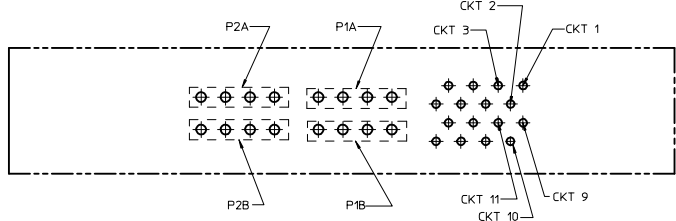
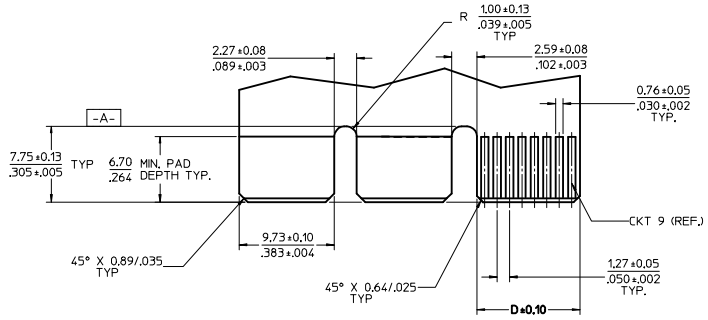
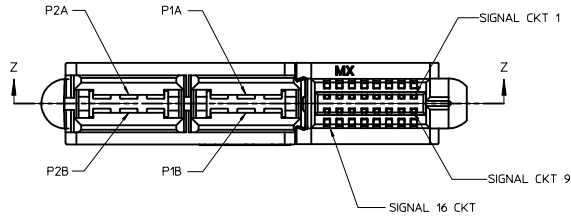
CARD EDGE MATING



PLUG ASSEMBLY MATING



ASSEMBLY PCB ALIGNMENT



RECOMMENDED EDGE CARD LAYOUT
 EDGE CARD THICKNESS: 1.57/0.62 ± 0.15/0.06
 PLATING: GOLD 30 μ INCHES MIN.
 OVER 150 μ INCHES NICKEL.

PCB LAYOUT: COMPONENT SIDE
 SEE SH1 FOR DIMENSIONS

SEE SHEET 1 IEC NO: UCP2016-0623 DRAWN: BHANDIRA 2015/08/10 CHKD: APPR: RPLISZCZOR 2015/08/12 REV:	QUALITY SYMBOLS	GENERAL TOLERANCES (UNLESS SPECIFIED)	DIMENSION STYLE	SCALE	DESIGN UNITS	THIRD ANGLE PROJECTION
	∇=0 ∇=0 ∇=0	4 PLACES ± --- INCH 3 PLACES ± --- ± .010 2 PLACES ± 0.25 ± --- 1 PLACE ± --- ± --- 0 PLACE ± --- ± ---	MM/IN	4:1	METRIC	DRAWN BY: MKARADIMAS 07/18/07 CHECKED BY: APATEL 07/20/07 APPROVED BY: JCOMERCI 2009/12/03
	ANGULAR ±1/2° DRAFT WHERE APPLICABLE MUST REMAIN WITHIN DIMENSIONS	MATERIAL NO.	DATE	TITLE	LPH VERTICAL RECEPTACLE ASSEMBLY 4 CIRCUIT PWR CONNECTOR, PRESS FIT	
	SEE CHART THIS DRAWING CONTAINS INFORMATION THAT IS PROPRIETARY TO MOLEX INCORPORATED AND SHOULD NOT BE USED WITHOUT WRITTEN PERMISSION	SD-46114-400	07/18/07	07/20/07	moxle SHEET NO. 3 OF 3	