

PLEASE CHECK WWW.MOLEX.COM FOR LATEST PART INFORMATION

Part Number: [0885302400](#)
Status: **Active**
Overview: [fiber optic product families](#)
Description: MPO/APC(M)-to-Pigtail, Singlemode, 9/125µm, Simplex, 12 Fiber, Bare, Standard Fiber Optic Cable Assembly, 1.5m (4.92')

Documents:

[Drawing \(PDF\)](#) [RoHS Certificate of Compliance \(PDF\)](#)

General

Product Family	Fiber Optic Assemblies
Series	88530
Connector to Connector	MTP-to-MTP
Mode	Singlemode
Overview	fiber optic product families
Product Name	MPO

Physical

Cable Length	1.50m (4.92')
Cable Size	Not Applicable
Fiber (Core/Cladding)	9/125µm
Single Ended	No
Wire/Cable Type	Bare Ribbon

Material Info

Reference - Drawing Numbers

Sales Drawing	SD-88530-019
---------------	--------------

EU RoHS

**ELV and RoHS
Compliant**
**REACH SVHC
Not Reviewed**
**Halogen-Free
Status
Not Reviewed**

China RoHS



**Need more information on product
environmental compliance?**

Email productcompliance@molex.com
For a multiple part number RoHS Certificate of
Compliance, [click here](#)

Please visit the [Contact Us](#) section for any
non-product compliance questions.

Search Parts in this Series

[88530Series](#)

7 6 5 4 3 2 1

E

E

D

D

C

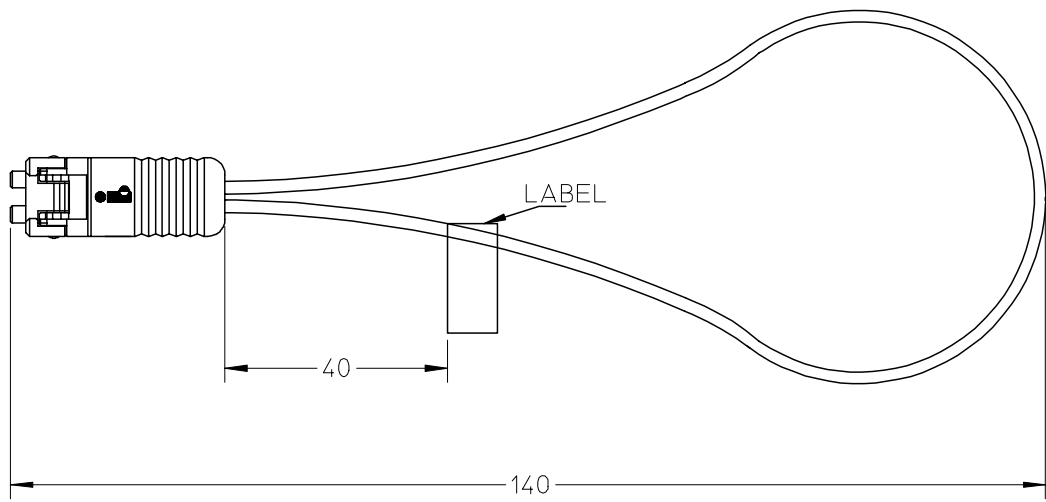
C

B

B

A

A



NOTES:

- 1. DUST CAPS ARE NOT SHOWN
- 2. PER CHANNEL AT @650nm
IL<=4.5dB
- 3. SHAPE OF LOOP NOT CRITICAL

ENTER DESCRIPTION EC NO: DG2007-0180 DRWN:KZHENG 2007/05/31 CHKD:KZHENG 2007/05/31 APPR:DOLUO 2007/06/11	DESCRIPTION 1	QUALITY SYMBOLS	GENERAL TOLERANCES (UNLESS SPECIFIED)		DIMENSION STYLE MM ONLY		SCALE ---	DESIGN UNITS METRIC	THIRD ANGLE PROJECTION																																	
		$\nabla=0$ $\sphericalcap=0$	<table border="1"> <thead> <tr> <th></th> <th>mm</th> <th>INCH</th> </tr> </thead> <tbody> <tr> <td>4 PLACES</td> <td>±---</td> <td>±---</td> </tr> <tr> <td>3 PLACES</td> <td>±---</td> <td>±---</td> </tr> <tr> <td>2 PLACES</td> <td>±---</td> <td>±---</td> </tr> <tr> <td>1 PLACE</td> <td>±---</td> <td>±---</td> </tr> <tr> <td colspan="3">ANGULAR ±---°</td> </tr> </tbody> </table>		mm	INCH	4 PLACES	±---	±---	3 PLACES	±---	±---	2 PLACES	±---	±---	1 PLACE	±---	±---	ANGULAR ±---°			<table border="1"> <thead> <tr> <th>DRAWN BY</th> <th>DATE</th> <th>TITLE</th> </tr> </thead> <tbody> <tr> <td>XPCHEN</td> <td>2007/05/31</td> <td rowspan="2">SMI LOOPBACK LOOPING</td> </tr> <tr> <td>CHECKED BY</td> <td>DATE</td> </tr> <tr> <td>KZHENG</td> <td>2007/05/31</td> <td rowspan="2">MOLEX INCORPORATED</td> </tr> <tr> <td>APPROVED BY</td> <td>DATE</td> </tr> <tr> <td>BLAU</td> <td>2007/05/31</td> <td></td> </tr> </tbody> </table>	DRAWN BY	DATE	TITLE	XPCHEN	2007/05/31	SMI LOOPBACK LOOPING	CHECKED BY	DATE	KZHENG	2007/05/31	MOLEX INCORPORATED	APPROVED BY	DATE	BLAU	2007/05/31		MATERIAL NO. 885309300		DOCUMENT NO. SD-88530-001	SHEET NO. 1 OF 1
			mm	INCH																																						
		4 PLACES	±---	±---																																						
		3 PLACES	±---	±---																																						
2 PLACES	±---	±---																																								
1 PLACE	±---	±---																																								
ANGULAR ±---°																																										
DRAWN BY	DATE	TITLE																																								
XPCHEN	2007/05/31	SMI LOOPBACK LOOPING																																								
CHECKED BY	DATE																																									
KZHENG	2007/05/31	MOLEX INCORPORATED																																								
APPROVED BY	DATE																																									
BLAU	2007/05/31																																									
DRAFT WHERE APPLICABLE MUST REMAIN WITHIN DIMENSIONS			THIS DRAWING CONTAINS INFORMATION THAT IS PROPRIETARY TO MOLEX INCORPORATED AND SHOULD NOT BE USED WITHOUT WRITTEN PERMISSION																																							

6 5 4 3 2 1