



*ASM3106C/4106C* □  
*DATA SHEET*

6F-3 NO.7, LANE 75, TA-AN ROAD, SEC.1, TAIPEI, TAIWAN, R.O.C.  
台北市大安路一段75巷7號6F-3 TEL:886-2-27818277 FAX:886-2-27815779

---

<http://www.aplusinc.com.tw>

## ASM3106C/4106C – *VERY LOW-COST VOICE SYNTHESIZER WITH 4-BIT MICROPROCESSOR*

### 1.0 General Description

The ASM3106C/4106C is very low cost voice synthesizer with 4-bit microprocessor. It has various features including 4-bit ALU, ROM, RAM, I/O ports, timers, clock generator, watchdog timer(WDT), voice synthesizer, etc. It consists of 22 instructions in the device. With CMOS technology and halt function can minimize power dissipation. Its architecture is similar to RISC, with two stages of instruction pipeline. It allows all instructions to be executed in a single cycle, except for program branches and data table read instructions (which need two instruction cycles).

### 1.1 Feature

- ◆ Single power supply can operate from 2.4V through 5V
- ◆ Internal Program ROM: 4K x 10-bit
- ◆ 1 sets of 17-bit DPR can access up to 128K x 10 bits data memory space
- ◆ Data Registers:
  - 64 x 4-bit data RAM (00-1Fh plus 40h-5Fh)
  - Unbanked special function registers (SFR) range: 20h-3Fh
- ◆ I/O Ports:
  - PRA: 4-bit I/O Port A (2Bh)
  - PRB: 2-bit Output Port B (2Dh)
- ◆ On-chip clock generator: Resistive Clock Drive(*RM*)
- ◆ Timer: 1
  - Timer0: a 9-bit auto-reload timer/counter
- ◆ Stack: 2-level subroutine nesting
- ◆ HALT and Release from HALT function to reduce power consumption
- ◆ Watch Dog Timer (*WDT*)
- ◆ Instruction: 1-cycle instruction except for table read and program branches which are 2-cycles
- ◆ Number of instruction: 22
- ◆ The Voice function can be implemented by microprocessor instruction

**FIGURE 1.1 : Block Diagram of ASM3106C/4106C**

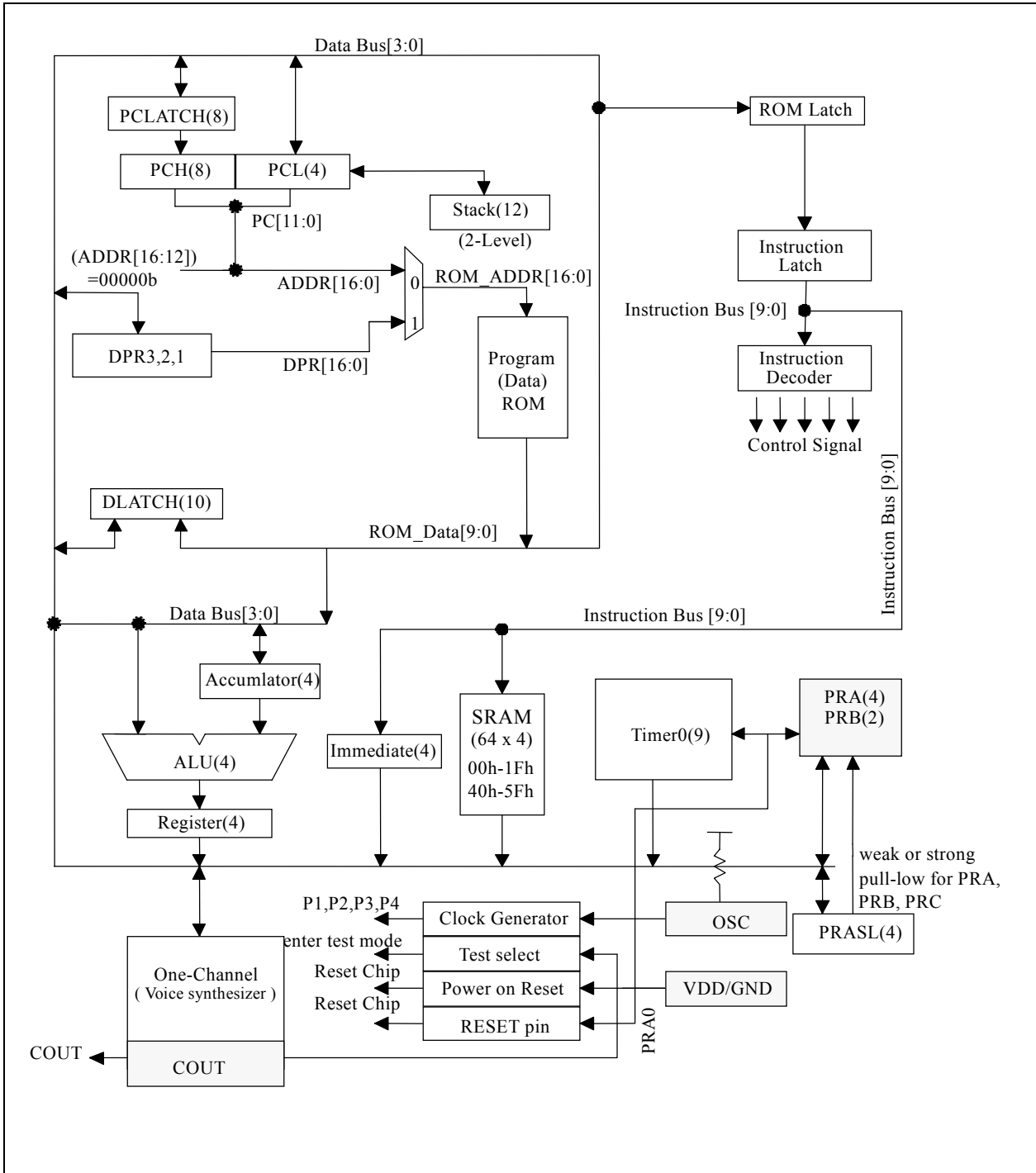
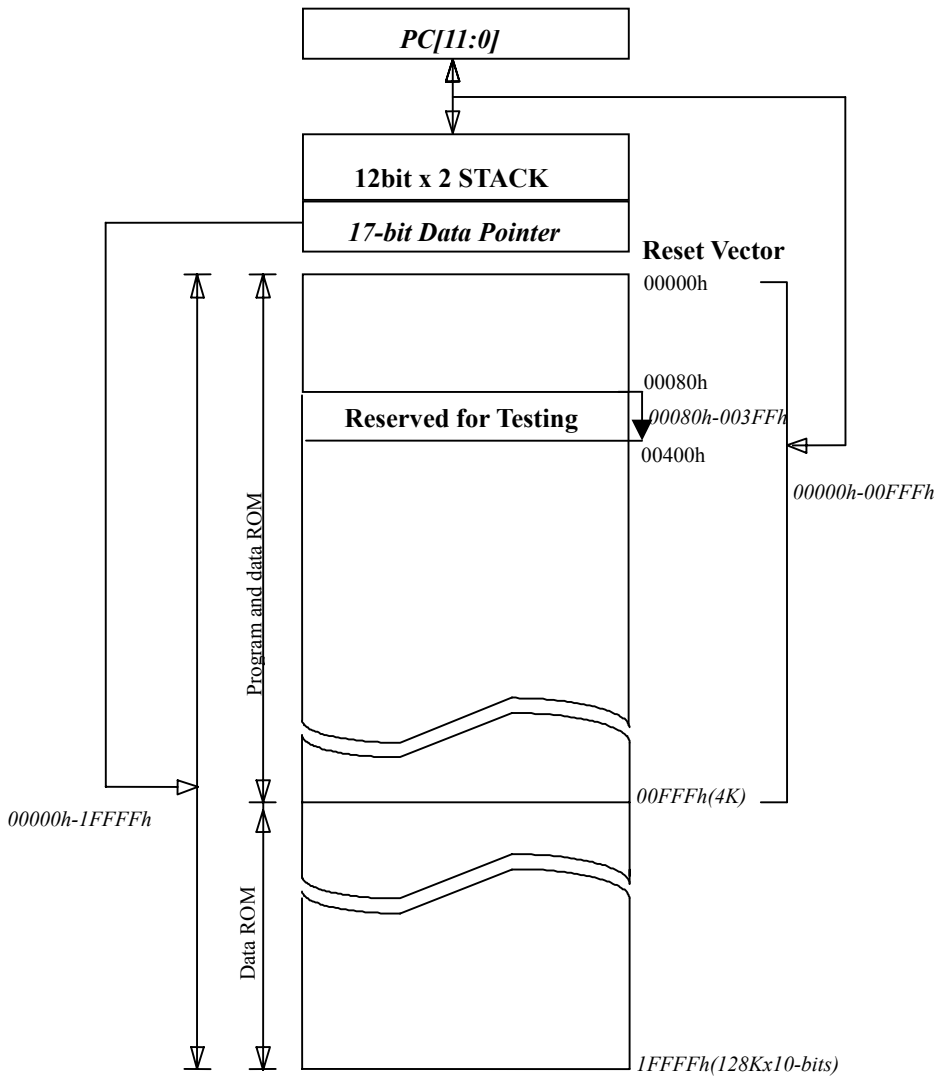


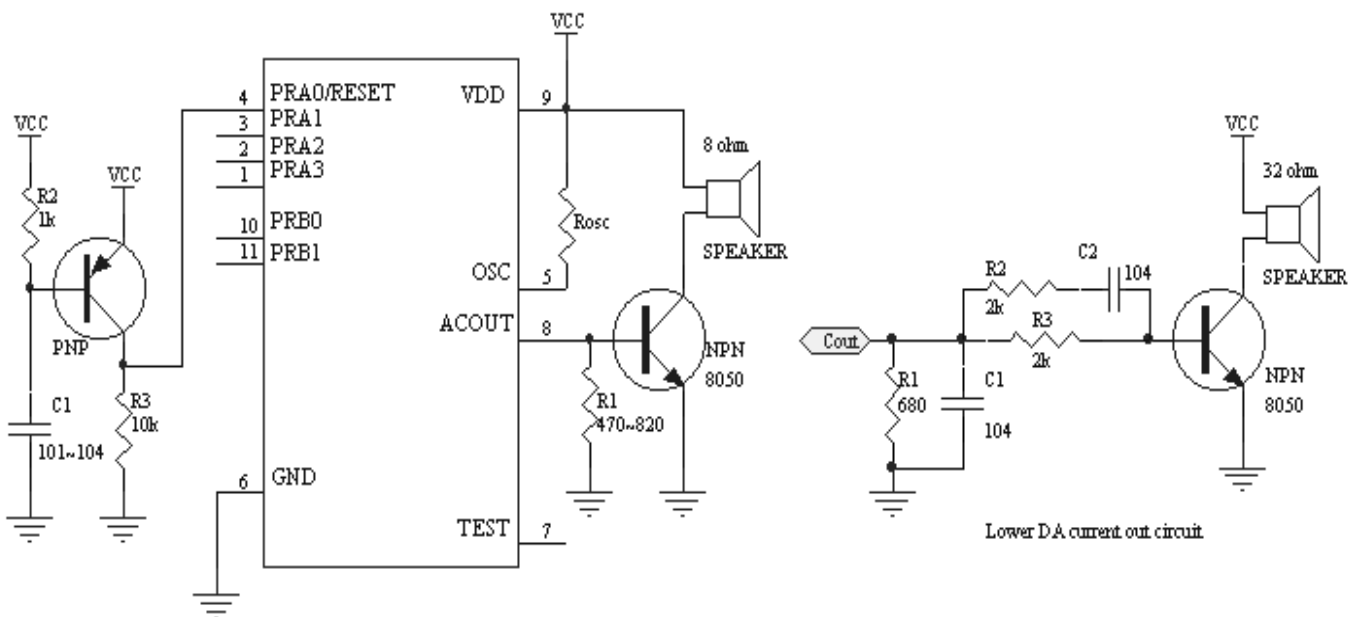
FIGURE 1.2 : External ROM Map of ASM3106C/4106C



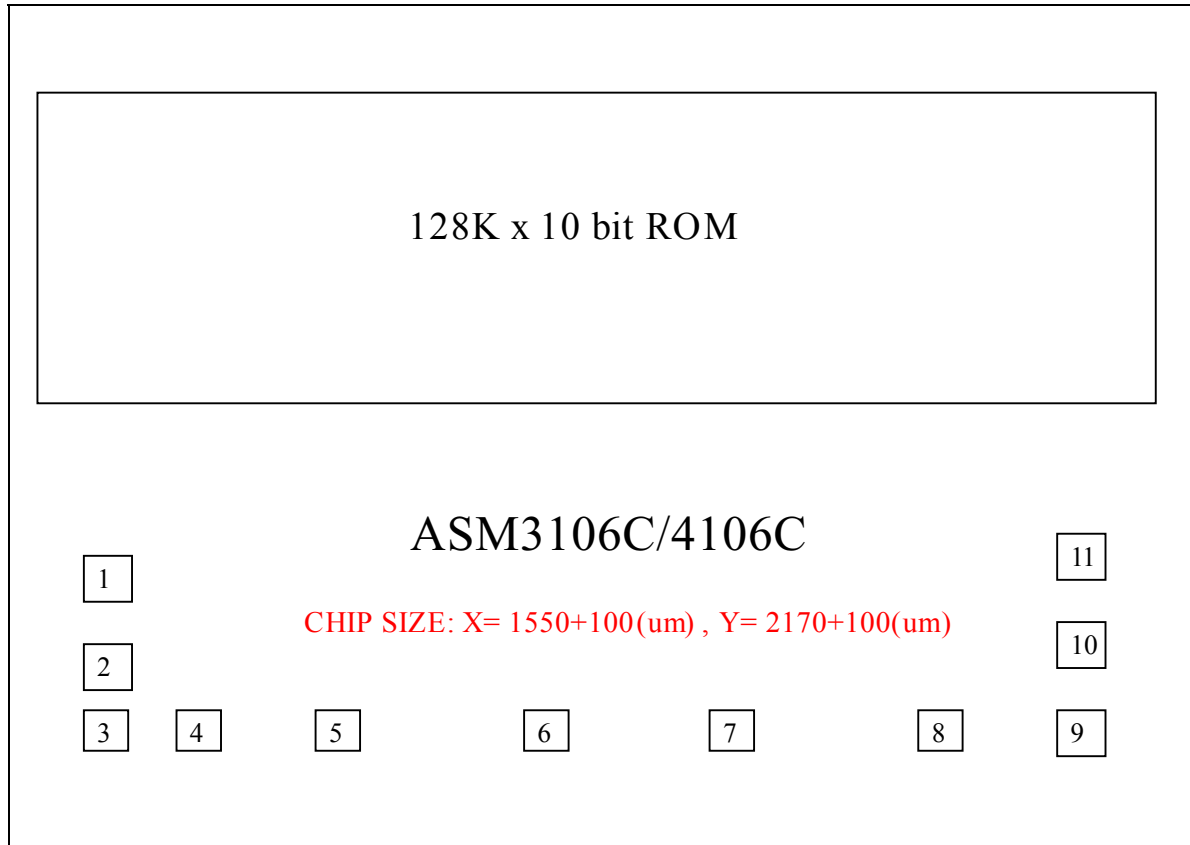
## 1.2 Pin-Out

ASM3106C/4106C Pin-Out			
VDD	I	-	Power supply during operation
PRA3-1	I/O	STI Std./O.D.	I/O port with programmable strong pull-low or weak pull-low or fix-input-floating capability Output type with standard or Open-Drain output
PRA0/RESET	I/O	STI Std./O.D.	I/O port with programmable strong pull-low or weak pull-low or fix-input-floating capability Output type with standard or Open-Drain output <i>Mask option selected as an external RESET pin with weak pull-low capability</i>
OSC	I	-	RM mode Oscillator input
COUT	O	-	Current Output of Audio
GND	I	-	Circuit Ground Potential
TEST	O	-	Enter Test Mode. ( TEST = High )
PRB0-1	O	Std./O.D.	Output type with standard or Open-Drain output

## 1.3 Application circuit



## 1.4 Bonding Diagram



ASM3106C/4106C Pad Location				Chip Size: X=1550+100 (um), Y=2170+100 (um)			
PAD #	PAD Name	X	Y	PAD #	PAD Name	X	Y
1	RA_PAD[3]	-664.92	-675.72	7	TEST_PAD	105.44	-1000.4
2	RA_PAD[2]	-664.92	-803.84	8	ACOUT	303.96	-1000.4
3	RA_PAD[1]	-662.64	-1000.4	9	VDD	683.04	-1000.4
4	RA_PAD[0]	-468.24	-1000.4	10	RB_PAD[0]	664.92	-799.4
5	AOSC	-281.04	-1000.4	11	RB_PAD[1]	664.92	-681
6	GND	-111.72	-1000.4				

### 1.5 DC Characteristics for ASM3106C/4106C

SYMBOL	PARAMETER		VDD	MIN.	TYP.	MAX.	UNIT	CONDITION
VDD	OPERATING VOLTAGE			2.4	3	5	V	depending on Freq.
Isb	SUPPLY CURRENT	STANDBY	3			1	uA	4MHz, RM in HALT Mode
			5			1		
Iop	T	OPERATING	3		2		mA	4MHz, RM IO Floating
			5		7			
Iih	INPUT CURRENT /Internal pull low		3		3		uA	4MHz, RM in HALT Mode (IO Ports with weak pull-high pull-low)
			5		9			
			5		-5.2			
Ioh	OUTPUT HIGH CURRENT		3		-3		mA	4MHz, RM (IO ports)
			5		-8			
Iol	OUTPUT LOW CURRENT		3		7		mA	4MHz, RM (IO ports)
			5		20			
dF/F	FREQUENCY STABILITY			-10		10	%	$\frac{F_{osc}(3v)-F_{osc}(2.4v)}{F_{osc}(3v)}$
dF/F	Fosc VARIATION			-20		20	%	VDD=3V, <b>Rosc=980k, 4MHz</b>

**FIGURE 1.3 : Frequency Range for Rosc in RM mode**

Resistor(k ohm)	1200	1000	820	470
<b>3v Freq.(MHz)</b>	3.1	3.87	4.53	7.44

