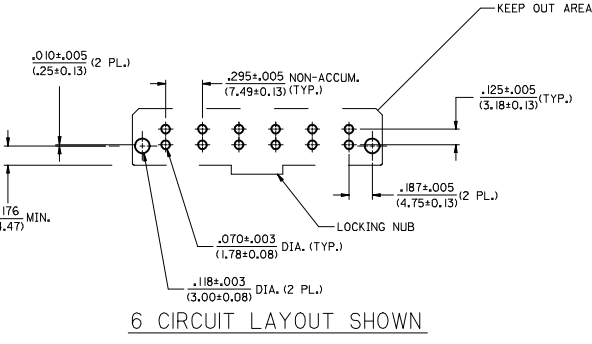


SEE SHEET 2 AND 3 FOR ITEM NUMBER CHART

**RECOMMENDED P.C. BOARD LAYOUT FOR VERTICAL HEADERS**  
SCALE 2:1



- NOTES:**
- INSULATOR MATERIAL (SEE CHART):  
A = 30% GLASS FILLED 46 NYLON, 94V-0, COLOR: BLACK.  
TERMINAL MATERIAL: BRASS
  - TERMINAL FINISH: 60 MICRONCH (1.5 MICROMETER) MINIMUM TIN OVER  
50 MICRONCH (1.25 MICROMETER) MINIMUM NICKEL.
  - PRODUCT SPECIFICATION: PSX-44441-9999.
  - PACKAGING: SEE CHART.
  - THESE HEADERS MATE WITH 43179, 43335, OR 44441 RECEPTACLE HOUSINGS.
  - SEE SHEETS 1, 2 AND 3, FOR VERTICAL HEADER ASSEMBLIES AND THEIR RESPECTIVE PART NUMBERS.
  - SEE SHEETS 4, 5 AND 6, FOR RIGHT ANGLE HEADER ASSEMBLIES AND THEIR RESPECTIVE PART NUMBERS.
  - DIMENSIONS ARE FOR REFERENCE ONLY, UNLESS INDICATED OTHERWISE.

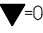
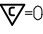

SOLDER TAIL	DIM. "A" ±.020/(0.51)
SHORT	.150/(3.81)
LONG	.210/(5.33)

BOARD LOCK	DIM. "B" ±.004/(0.15)
.062	.070/(1.78)
.094	.102/(2.59)
.125	.133/(3.38)

REPLACE CU UNDERPLATE EIC NO. UCP2012-3878 DRAWN:ELHAG 2012/05/15 CHKD:JRELL 2012/05/15 APPR:FSM TH 2012/08/18 REV DESCRIPTION	QUALITY SYMBOLS ▽=0 ▽=0	GENERAL TOLERANCES (UNLESS SPECIFIED) <table border="1"> <thead> <tr> <th></th> <th>mm</th> <th>INCH</th> </tr> </thead> <tbody> <tr> <td>4 PLACES</td> <td>±.005</td> <td>±.0005</td> </tr> <tr> <td>3 PLACES</td> <td>±.01</td> <td>±.001</td> </tr> <tr> <td>2 PLACES</td> <td>±.013</td> <td>±.001</td> </tr> <tr> <td>1 PLACE</td> <td>±.025</td> <td>±.001</td> </tr> </tbody> </table> ANGULAR ±1/2° DRAFT WHERE APPLICABLE MUST REMAIN WITHIN DIMENSIONS		mm	INCH	4 PLACES	±.005	±.0005	3 PLACES	±.01	±.001	2 PLACES	±.013	±.001	1 PLACE	±.025	±.001	DIMENSION STYLE IN/MM SCALE 3:1 DESIGN UNITS INCH THIRD ANGLE PROJECTION	DRAWN BY GC DATE 11/30/95 CHECKED BY KBP DATE 11/30/95 APPROVED BY RAS DATE 11/30/95	TITLE SABRE HEADER, ASSY VERTICAL, 2-6 & 8 CIR. .125/(3.18)X .020/(0.51) MOLEX INCORPORATED
		mm	INCH																	
	4 PLACES	±.005	±.0005																	
	3 PLACES	±.01	±.001																	
2 PLACES	±.013	±.001																		
1 PLACE	±.025	±.001																		
MATERIAL NO. SEE CHART	DOCUMENT NO. SDA-43160-****	SHEET NO. 1 OF 6	THIS DRAWING CONTAINS INFORMATION THAT IS PROPRIETARY TO MOLEX INCORPORATED AND SHOULD NOT BE USED WITHOUT WRITTEN PERMISSION																	

6	J
5	J
4	J
3	J
2	J
1	J
SMT. REV.	

	20	19	18	17	16	15	14	13	12	11	10	9	8	7	6	5	4	3	2	1		
M	VERTICAL HEADER ASSEMBLY ITEM NO.	PART CHARACTERISTICS FOR VERTICAL HEADER				PACKAGING SPECIFICATIONS	VERTICAL HEADER ASSEMBLY ITEM NO.	PART CHARACTERISTICS FOR VERTICAL HEADER				PACKAGING SPECIFICATIONS	VERTICAL HEADER ASSEMBLY ITEM NO.	PART CHARACTERISTICS FOR VERTICAL HEADER				PACKAGING SPECIFICATIONS				
		CIRCUIT SIZE	HSG. MAT'L (SEE NOTE 1)	SOLDER TAIL	BOARD LOCK		CIRCUIT SIZE	HSG. MAT'L (SEE NOTE 1)	SOLDER TAIL	BOARD LOCK		CIRCUIT SIZE	HSG. MAT'L (SEE NOTE 1)	SOLDER TAIL	BOARD LOCK							
	43160-0102	2	A	SHORT	N/A	PK-43160-0010	43160-0104	4	A	SHORT	N/A	PK-43160-0010	43160-0106	6	A	SHORT	N/A	PK-43160-0010				
	43160-0302	2	A	LONG	N/A	PK-43789-001	43160-0304	4	A	LONG	N/A	PK-43789-001	43160-0306	6	A	LONG	N/A	PK-43789-001				
	43160-2102	2	A	SHORT	.062	PK-43789-001	43160-2104	4	A	SHORT	.062	PK-43789-001	43160-2106	6	A	SHORT	.062	PK-43789-001				
L	43160-4102	2	A	SHORT	.094	PK-43789-001	43160-4104	4	A	SHORT	.094	PK-43789-001	43160-4106	6	A	SHORT	.094	PK-43789-001				
	43160-4302	2	A	LONG	.094	PK-43789-001	43160-4304	4	A	LONG	.094	PK-43789-001	43160-4306	6	A	LONG	.094	PK-43789-001				
	43160-6302	2	A	LONG	.125	PK-43789-001	43160-6304	4	A	LONG	.125	PK-43789-001	43160-6306	6	A	LONG	.125	PK-43789-001				
	43160-0103	3	A	SHORT	N/A	PK-43160-0010	43160-0105	5	A	SHORT	N/A	PK-43160-0010										
K	43160-0303	3	A	LONG	N/A	PK-43789-001	43160-0305	5	A	LONG	N/A	PK-43789-001										
	43160-2103	3	A	SHORT	.062	PK-43789-001	43160-2105	5	A	SHORT	.062	PK-43789-001										
	43160-4103	3	A	SHORT	.094	PK-43789-001	43160-4105	5	A	SHORT	.094	PK-43789-001										
	43160-4303	3	A	LONG	.094	PK-43789-001	43160-4305	5	A	LONG	.094	PK-43789-001										
J	43160-6303	3	A	LONG	.125	PK-43789-001	43160-6305	5	A	LONG	.125	PK-43789-001										

<b>UPDATE REV. LEVEL</b> IEC NO. UCF2012-3878 DRAWN BY DRWNAELHAG CHYKD:JBELL APPR:FSMTH 2012/05/25 2012/05/25 2012/08/28	<b>QUALITY SYMBOLS</b>  = 0  = 0	<b>GENERAL TOLERANCES (UNLESS SPECIFIED)</b>		<b>DIMENSION STYLE</b> IN/MM		SCALE 1:1	DESIGN UNITS INCH	 THIRD ANGLE PROJECTION	
		mm      INCH		DRAWN BY GC	DATE 11/30/95	TITLE <b>SABRE HEADER ASSY VERTICAL, 2-6 &amp; 8 CIR.</b>			
		4 PLACES ± --- ± --- 3 PLACES ± --- ± .005 2 PLACES ± 0.13 ± .01 1 PLACE ± 0.25 ± ---		CHECKED BY KBP	DATE 11/30/95	APPROVED BY RAS			
		ANGULAR ±1/2°		MATERIAL NO. <b>SEE CHART</b>		DOCUMENT NO. <b>SDA-43160-****</b>			
DRAFT WHERE APPLICABLE MUST REMAIN WITHIN DIMENSIONS		SIZE D		THIS DRAWING CONTAINS INFORMATION THAT IS PROPRIETARY TO MOLEX INCORPORATED AND SHOULD NOT BE USED WITHOUT WRITTEN PERMISSION					