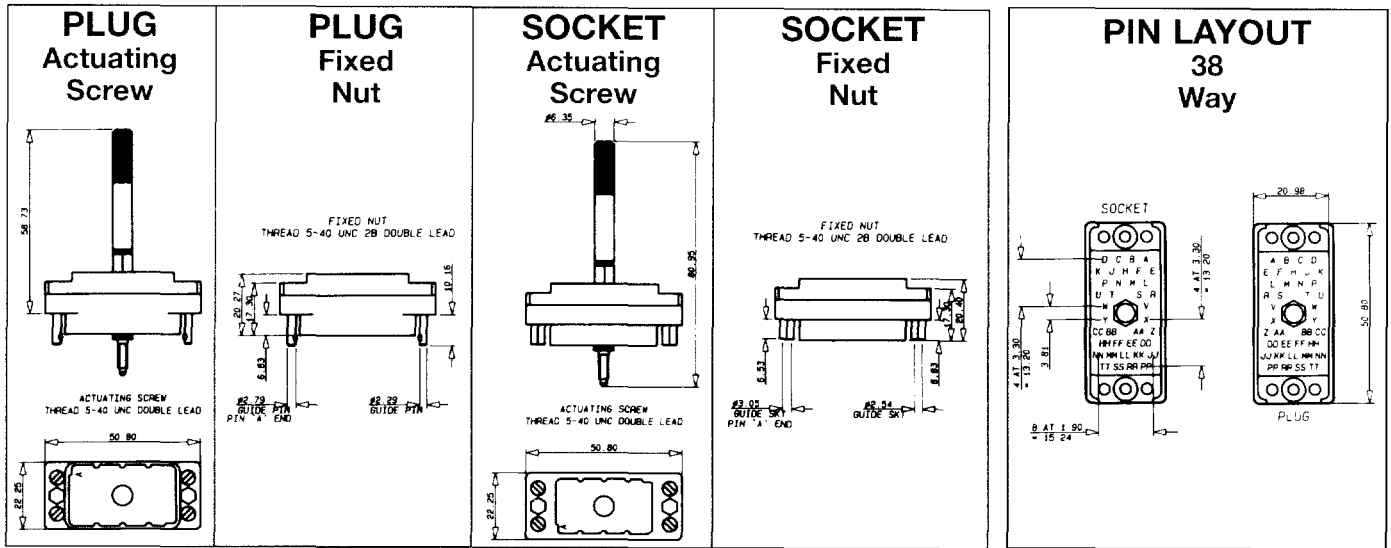


Series 8016 – Rectangular Connector – 38 Way



ORDERING CODE



Contact Termination

*000 = Contacts not fitted and ordered separately, see page 22 for full list of options

217 = Solcer 0.098" x 2.49mm

218 = Wire Wrap –
0.025 x 0.050 x 0.567" / 0.64 x 1.27 x 14.4mm

296 = Wire Wrap –
0.025 x 0.026 x 0.579" / 0.64 x 1.27 x 19.3mm

504 = Solder Tail –

750 = Wire Wrap –
0.025 x 0.050 x 0.760" / 0.64 x 1.27 x 19.3mm

*Crimp contacts always ordered separately. See page 22 for details.

CONNECTOR PLUG AND RECEPTACLE COMBINATIONS

Plug	Receptacle													
	007/507/607	008/508/608	909/509/609	910/510/610	911/511/611	912/512/612	923/523/623	924/524/624	925/525/625	926/526/626	935/535/635	936/536/636	937/537/637	938/538/638
001/501/601														
002/502/602														
903/503/603														
904/504/604														
905/505/605														
906/506/606														
919/519/619														
920/520/620														
921/521/621														
922/522/622														
931/531/631														
932/532/632														
933/533/633														
934/534/634														

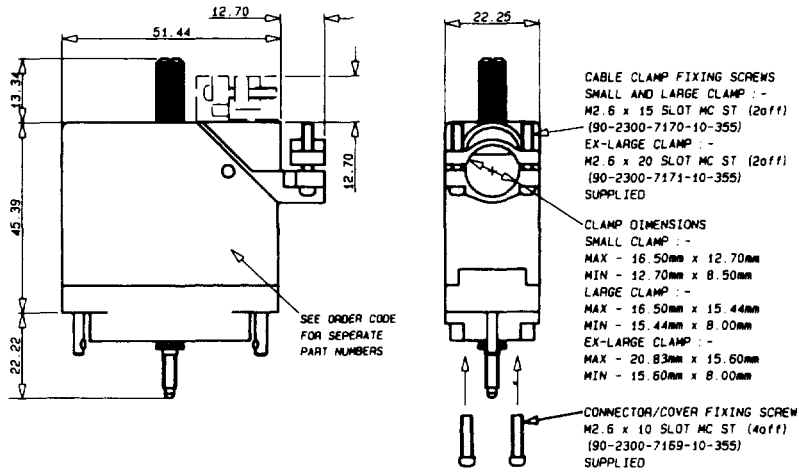
Select variation code combinations marked with square in the table.

VARIATION CODE

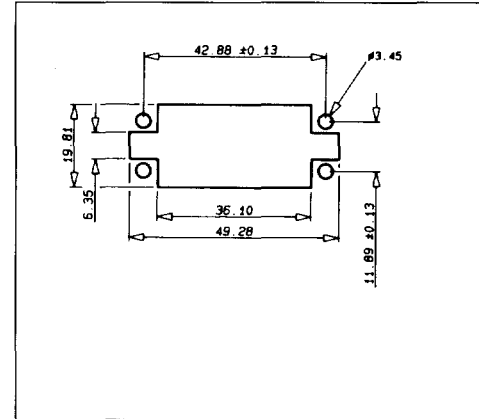
Insulator Body Type	European Version				USA ONLY Versions								Cover & Cable Entrance	Actuating Screw	Fixed Nut
	Grey Polyester				Grey Polyester				Green Polyester						
	Aluminum Cover			No Cover	Aluminum Cover			No Cover	Aluminum Cover			No Cover			
	Std. Clamp	Large Clamp	Ex-Large Clamp		Std. Clamp	Large Clamp	Ex-Large Clamp		Std. Clamp	Large Clamp	Ex-Large Clamp				
Male (Exposed Contacts)	—	—	—	001	—	—	—	501	—	—	—	601	None	Yes	No
	—	—	—	002	—	—	—	502	—	—	—	602	None	No	Yes
	903	919	931	—	503	519	531	—	603	619	631	—	Top	Yes	No
	904	920	932	—	504	520	532	—	604	620	632	—	Side	Yes	No
	905	921	933	—	505	521	533	—	605	621	633	—	Top	No	Yes
906	922	934	—	506	522	534	—	606	622	634	—	Side	No	Yes	
Female (Recessed Contacts)	—	—	—	007	—	—	—	507	—	—	—	607	None	No	Yes
	—	—	—	008	—	—	—	508	—	—	—	608	None	Yes	No
	909	923	935	—	509	523	535	—	609	623	635	—	Top	Yes	No
	910	924	936	—	510	524	536	—	610	624	636	—	Side	Yes	No
	911	925	937	—	511	525	537	—	611	625	637	—	Top	No	Yes
912	926	938	—	512	526	538	—	612	626	638	—	Side	No	Yes	

Series 8016 – Rectangular Connector – 38 Way

CLAMPING AND COVER DIMENSIONS



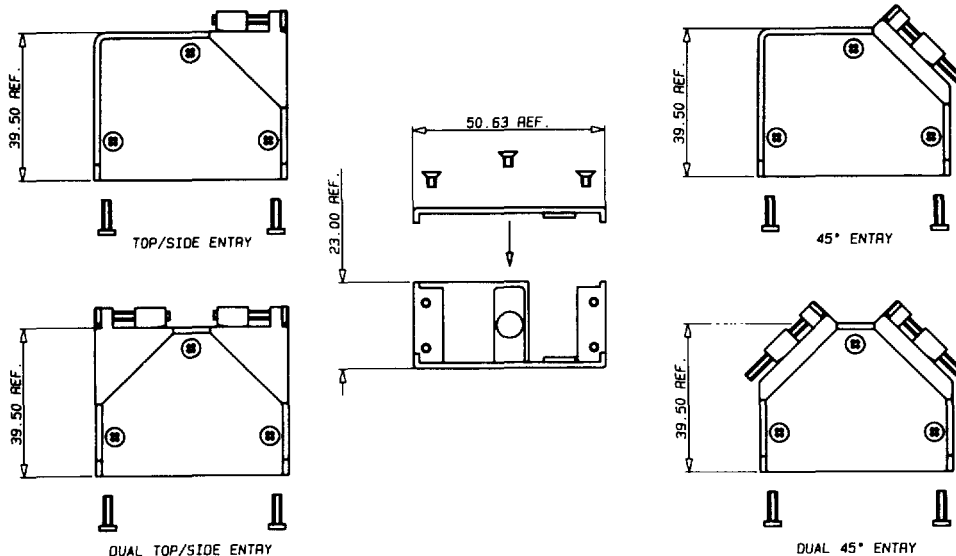
RECOMMENDED LAYOUT FOR FRONT CHASSIS MOUNTING



STANDARD COVERS

Cover Part Number		Number of Contacts	Cable Entrance	Clamp	
European Version	USA Version			Description	Size mm (inches)
30-8016-9821-20-000	30-8016-9821-00-0000	38	Side	Standard	16.51 X 12.70 (0.650 x 0.500)
30-8016-9822-20-000	30-8016-9822-00-0000	38	Top	Standard	16.51 X 12.70 (0.650 x 0.500)
30-8016-9825-20-000	30-8016-9825-00-0000	38	Side	Large	16.51 X 15.44 (0.650 x 0.608)
30-8016-9826-20-000	30-8016-9826-00-0000	38	Top	Large	16.51 X 15.44 (0.650 x 0.608)
30-8016-9838-20-000	30-8016-9838-00-0000	38	Side	Extra-Large	20.83 X 15.60 (0.820 x 0.614)
30-8016-9839-20-000	30-8016-9839-00-0000	38	Top	Extra-Large	20.83 X 15.60 (0.820 x 0.614)

OPTIONAL REMOVABLE SIDE PLATE COVER



REMOVABLE SIDE PLATE COVERS

millimeters (inches)

Cover Part Number	Number of Contacts	Cable Entrance	Clamp		
			Description	Minimum Size	Maximum Size
30-8016-038-000-413	38	Side/Top	Standard	6 x 14 (0.236 x 0.551)	17 x 14 (0.669 x 0.551)
30-8016-038-000-415	38	45°	Standard	6 x 14 (0.236 x 0.551)	17 x 14 (0.669 x 0.551)
30-8016-038-000-423	38	Dual 90° Side/Top	Special	2 - 6 x 14 (0.236 x 0.551)	2 - 17 x 14 (0.669 x 0.551)
30-8016-038-000-425	38	Dual 45° Entry	Special	2 - 6 x 14 (0.236 x 0.551)	2 - 17 x 14 (0.669 x 0.551)