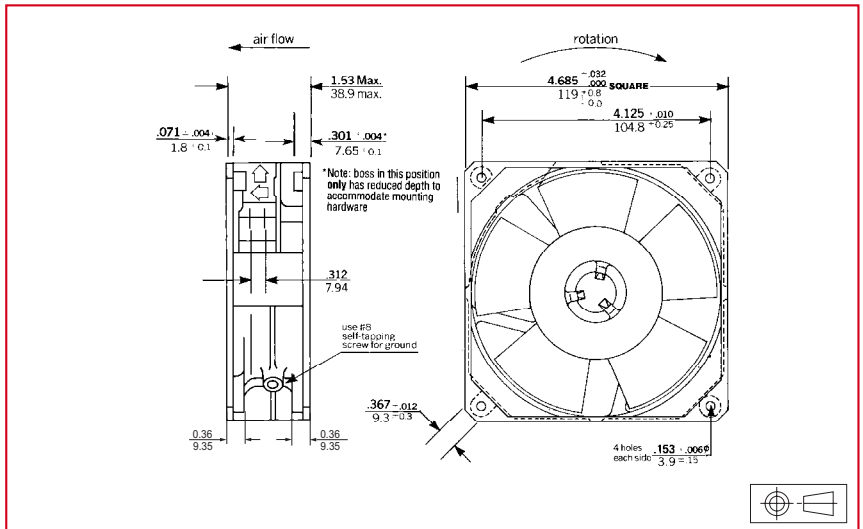


AC Axial Fans



Approvals



GAM T1 listed

Life expectancy

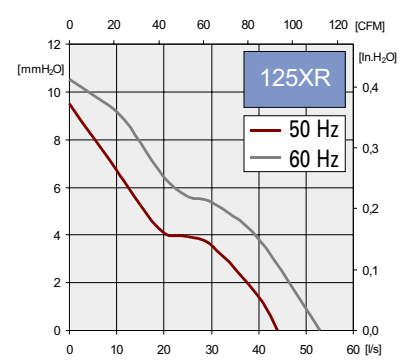
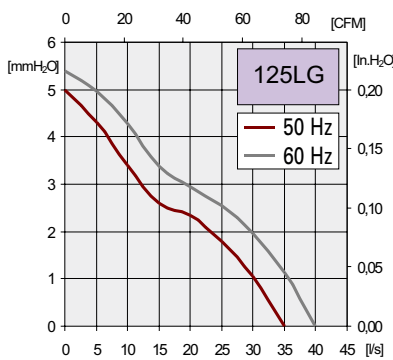
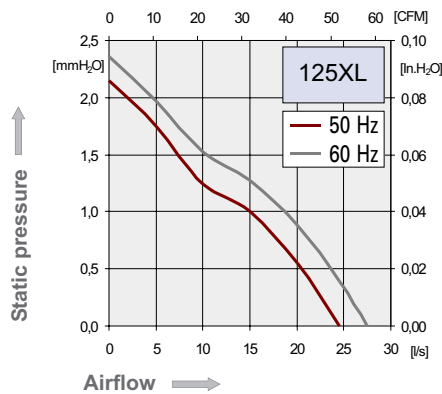
L-10 LIFE AT 40°C:
50 000 hours (Sleeve bearings)
80 000 hours (Ball bearings)

AC Motor

Electrical protection: impedance protected
Housing material: zamak
Impeller material: plastic UL 94 V0
Weight: 0,725 kg

Available with:

- flying leads
- speed sensor



Part number	Nominal voltage	Airflow	Noise level	Nominal speed	Frequency	Phases	Capacitor	Input power	Nominal current	Starting current	Bearing system	Connection type		Operating temperature		
	V	l/s	dB(A)	RPM	Hz		µF	W	mA	mA	Ball	Sleeve	Leads	Terminals	Min. °C	Max. °C
125XL0282010	115	25	30	1600	50	1		12	135	145	X	Sleeve		X	- 10	70
		27	32	1750	60	1		10	115	125	X	Sleeve		X	- 10	70
125XL0281010	208-240	25	30	1600	50	1		12	75	90	X	Sleeve		X	- 10	70
		27	32	1750	60	1		10	65	75	X	Sleeve		X	- 10	70
125LG0282010	115	35	38	2200	50	1		16	200	260	X	Sleeve		X	- 10	70
		40	40,5	2500	60	1		13	160	220	X	Sleeve		X	- 10	70
125LG0281010	208-240	35	38	2200	50	1		18	110	140	X	Sleeve		X	- 10	70
		40	40,5	2500	60	1		15	90	120	X	Sleeve		X	- 10	70
125XR0282090	115	44	44	2800	50	1		16	200	310	X	Sleeve		X	- 10	70
		53	48	3200	60	1		15	180	260	X	Sleeve		X	- 10	70
125XR2282090	115	44	43	2750	50	1		16	200	310		X		X	- 10	55
		51,5	47,5	3250	60	1		15	180	260		X		X	- 10	55
		44	44	2800	50	1		18	125	170	X			X	- 10	70
125XR0281090	208-240	44	44	2800	50	1		18	125	170	X	Sleeve		X	- 10	70
		53	48	3200	60	1		15	105	150	X	Sleeve		X	- 10	70
125XR2281090	208-240	44	43	2750	50	1		18	125	170		X		X	- 10	55
		51,5	47,5	3250	60	1		15	105	150		X		X	- 10	55

* 125LG & 125XL also available with sleeve bearings: P/N: 125LG2282010 (115V); 125LG2281090 (208-240V); 125XL2282030 (115V); 125XL2281030 (208-240V)

Additional versions: Dual voltage 115V-230V
Shock & vibration protected - salt spray protected -
Wide temperature range - sleeve bearings - marine specifications

Accessories: - Plastic filter P/N : F120/T102 and 120V
- Plastic finger guards P/N : PFG-120 & 121-53
- Speed nuts P/N : Speed nuts 6.32

- Metal filters: 96-152 and 96-302
- Metal finger guard P/N : 9601-43
- Metal mesh filter P/N : 120-G