

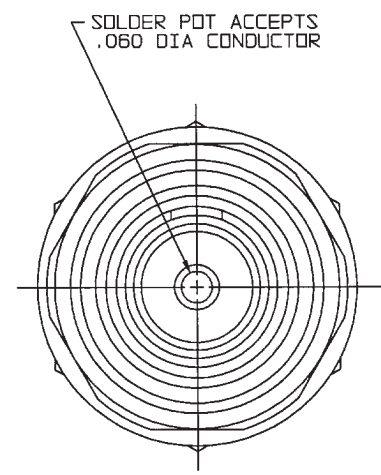
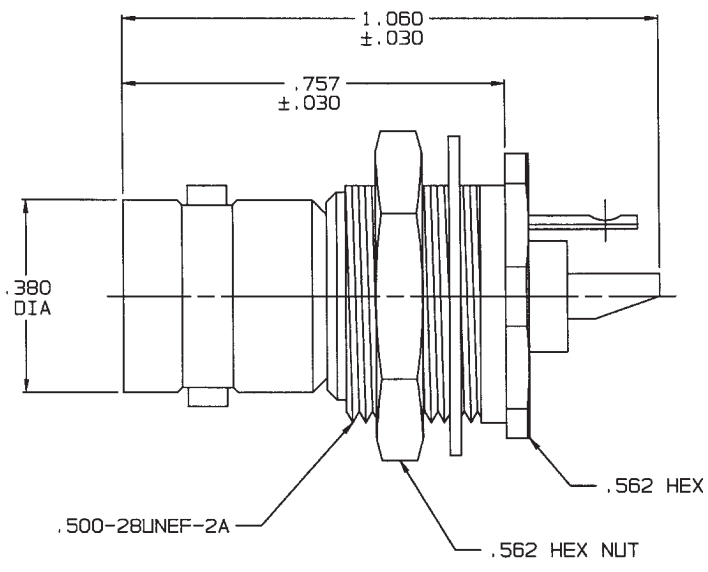
# RED INDICATES ORIGINAL

DATA CONTAINED IN THIS DOCUMENT IS PROPRIETARY TO TROMPETER ELECTRONICS INC. AND SHALL NOT BE DISCLOSED, COPIED OR USED FOR PROCUREMENT OR MANUFACTURE WITHOUT EXPRESS WRITTEN PERMISSION.

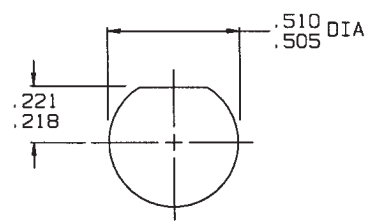
REVISIONS			1-0010	SH 1C
REV	ED	DESCRIPTION	DWN	APPROVED
D	13257	SH 2; ±.030 TOLERANCE REPLACES ±.003 ON .757 DIMENSION; SEE ECO	DKC	<i>[Signature]</i>
				2/18/00

DASH NO	MODEL NO	IMPD OHMS
-1	BJ21	50
-2	UBJ21	75

INCH	MM
.005	0.13
.030	0.76
.060	1.52
.147	3.73
.218	5.54
.221	5.61
.380	9.65
.505	12.83
.510	12.95
.562	14.27
.757	19.23
1.060	26.92



-1 SHOWN



RECOMMENDED  
PANEL CUTOUT  
SCALE: 2/1

4. 50 & 75 OHM COAXIAL REAR MOUNT INSULATED 2-LLUG BNC TYPE SOLDER POT BULKHEAD RECEPTACLE
3. MAX PANEL THK: .147
2. FINISH: TFS-1A (NICKEL)
1. ALL DIM ARE IN INCHES

QTY	DESCRIPTION		PART NUMBER	ITEM
TOL UNLESS SPECIFIED .XX ± .XXX ± .005 .XXXX ± ANGLES ±	<b>TROMPETER ELECTRONICS, INC.</b>		BJ21 / UBJ21	
DWN	DKC	2-3-00	MATERIAL	CODE IDENT
CHK	<i>[Signature]</i>	2/18/00	14949	DRAWING NO.
ENGR	<i>[Signature]</i>			1-0010
APPR	<i>[Signature]</i>	2/18/00	SCALE 4/1	DATE 5-12-82
NEXT ASSY			SHEET	1C