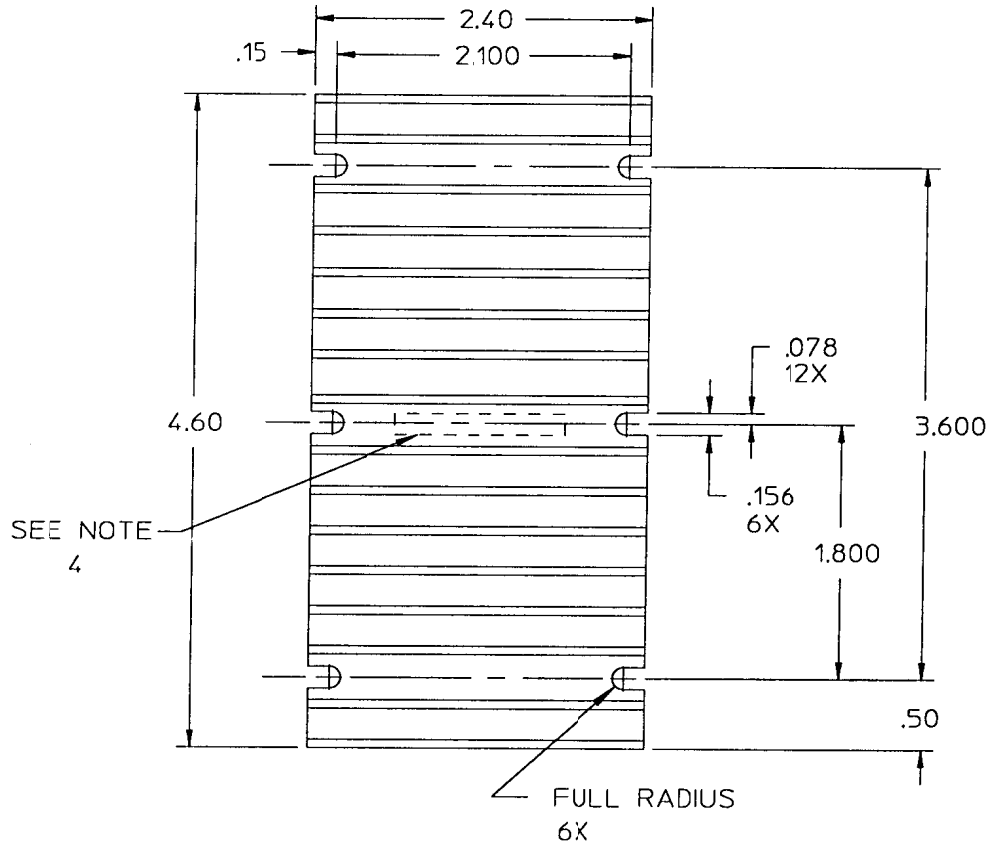


VICOR CONFIDENTIAL

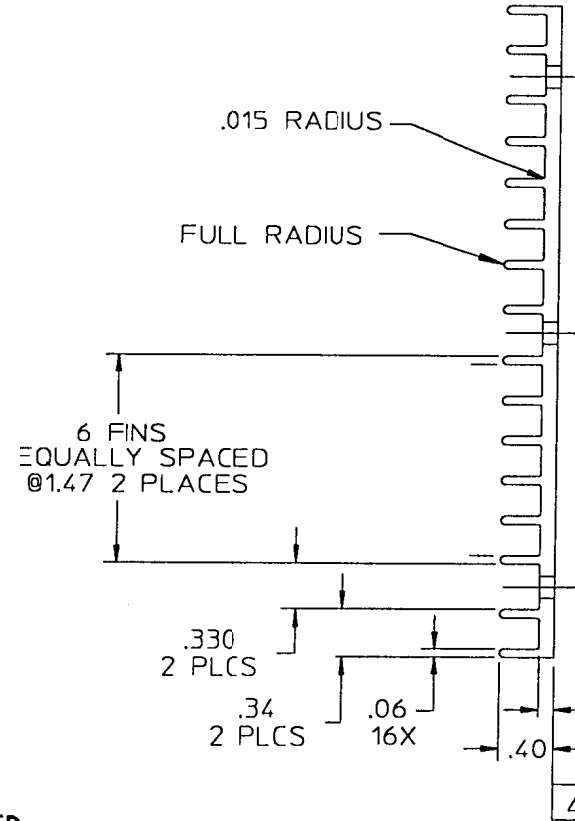
THIS DOCUMENT AND THE DATA DISCLOSED
HEREIN OR HEREWITH IS NOT TO BE REPRODUCED,
USED, OR DISCLOSED IN WHOLE OR IN PART
TO ANYONE WITHOUT PERMISSION OF VICOR CORP.

REV.	DESCRIPTION
03	REVSD PER E950284
04	REVSD PER E970447

	DATE	APPROVED
RCM	5/4/95	DPK
LN	10/20/97	RCM



SEE NOTE
4




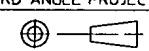
COPY

ORIGINAL
ONLY WHEN STAMPED
IN RED

NOTES:

1. MATERIAL: 6063-T5 ALUMINUM
2. REMOVE BURRS & SHARP EDGES
3. FINISH: CLEAR CHROMATE.
4. MECHANICALLY STAMP PART NUMBER AND REVISION IN AREA SHOWN

FREE CONVECTION	3.6
200 L FM	2.0
600 L FM	0.96

DRAWN BY <i>RCM</i>	DATE 5/4/95	 HEAT SINK .40 IN
UNLESS OTHERWISE SPECIFIED DIMENSIONS ARE IN INCHES- TOLERANCES ARE: FRACTIONS DECIMALS ANGLES 1/64 .XX+ .01 .1° .XXX+ .005		
THIRD ANGLE PROJECTION 	SIZE B	FSCM NO. 67131
DO NOT SCALE DRAWING	SCALE FULL	

±.010

105

OR

INK,
VERT

02112

REV
04

SHEET 1 OF 1