

TK 1111 – Polystyrene and Polycarbonate – 110 x 110 mm (4.33 x 4.33 in.)

Standard Features

- **Protection Level:** IP66 (NEMA Type: 4X with gray cover, 12K with transparent cover)
- **Technical:** Smooth or Knockout Sidewalls
Gray or Tinted Transparent Cover
Multiple Enclosure Mounting Options
- **UL Recognized**
Enclosure Materials: Polystyrene or Polycarbonate
- **Gasket Material:** Polyurethane
- **Color:** Light Gray
- **Material**
Temperature Range: Polystyrene
-25°C to 70°C (-13°F to 158°F)
Polycarbonate
-40°C to 120°C (-40°F to 248°F)
- **Accessories:** See section below



Smooth Sidewalls

Ordering Information		Height mm (in)	Polystyrene				Polycarbonate			
			Cat. No.	Type	Cover Color	Std. Pk.	Cat. No.	Type	Cover Color	Std. Pk.
	Enclosure - low cover	66 mm (2.60 in)	110-404	PS 1111-7-o	gray	3	120-404	PC 1111-7-o	gray	3
	Enclosure - high cover	90 mm (3.54 in)	110-904	PS 1111-9-o	gray	3	120-904	PC 1111-9-o	gray	3
	Enclosure - low cover	66 mm (2.60 in)	111-004	PS 1111-7-to	trans.	3	130-004	PC 1111-7-to	trans.	3
	Enclosure - high cover	90 mm (3.54 in)	111-504	PS 1111-9-to	trans.	3	130-504	PC 1111-9-to	trans.	3

Sidewalls with Metric Knockouts

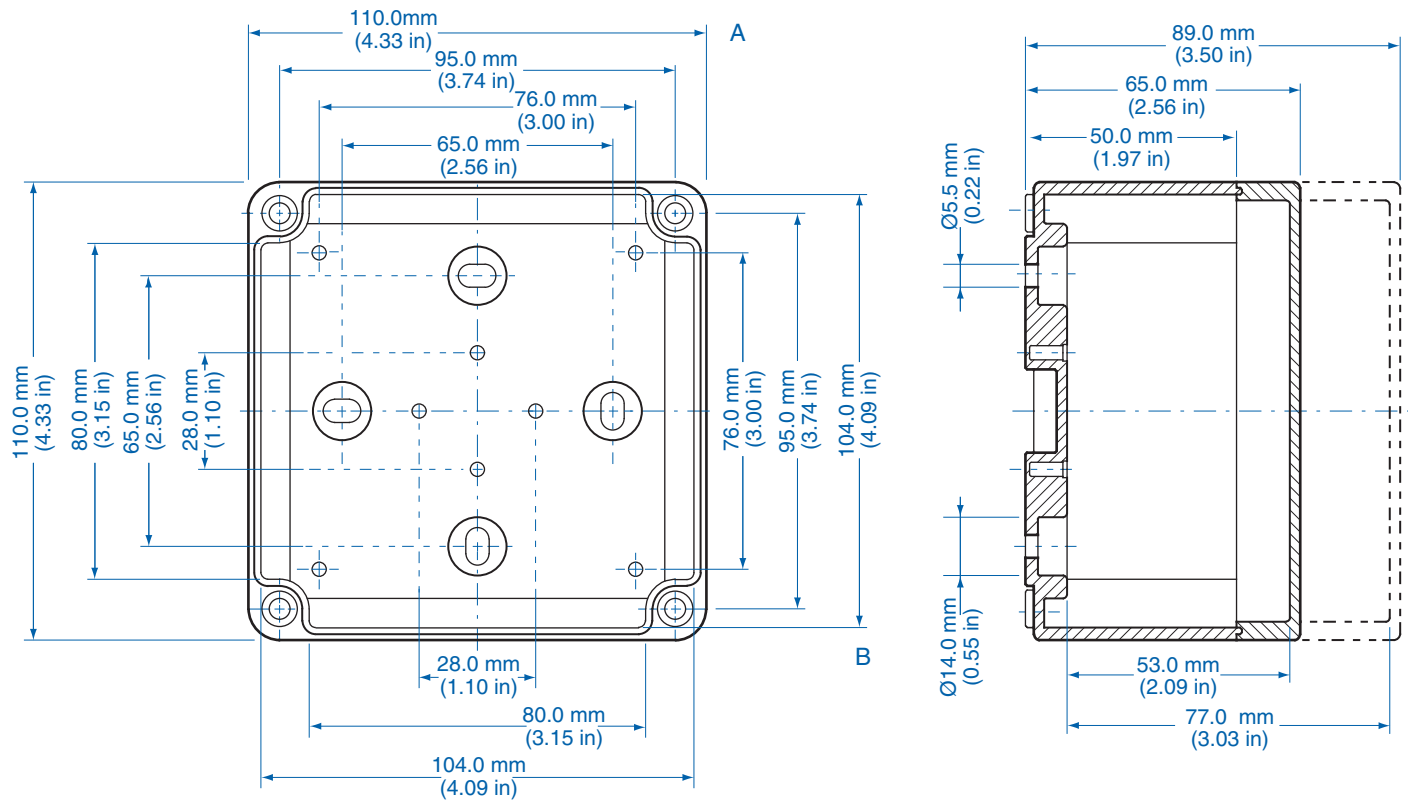
Ordering Information		Height mm (in)	Polystyrene				Polycarbonate			
			Cat. No.	Type	Cover Color	Std. Pk.	Cat. No.	Type	Cover Color	Std. Pk.
	Enclosure - low cover	66 mm (2.60 in)	105-404	PS 1111-7-m	gray	3	127-404	PC 1111-7-m	gray	3
	Enclosure - high cover	90 mm (3.54 in)	105-904	PS 1111-9-m	gray	3	127-904	PC 1111-9-m	gray	3
	Enclosure - low cover	66 mm (2.60 in)	106-004	PS 1111-7-tm	trans.	3	137-004	PC 1111-7-tm	trans.	3
	Enclosure - high cover	90 mm (3.54 in)	106-504	PS 1111-9-tm	trans.	3	137-504	PC 1111-9-tm	trans.	3

Accessories

Ordering Information	Cat. No.	Type	Std. Pk.
Mounting Plate (plastic)	195-004	TKMPI-1111	1
Mounting Plate (steel)	197-004	TKMPS-1111	1
DIN Rail TS35-81mm	198-081	TS 35/81	1
DIN Rail TS15-92mm	197-092	TS 15/92	1
Hinge Kit Set	190-002	HK1	1
Mounting Tab Kit	194-001	MT1	1

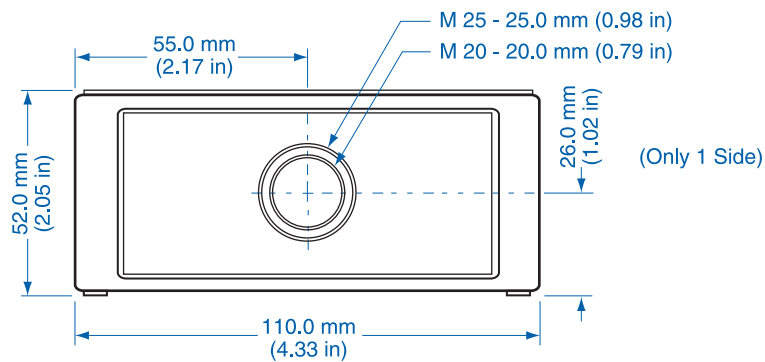
Please refer to pages 136-140 for additional accessories and detailed information.

Dimensions

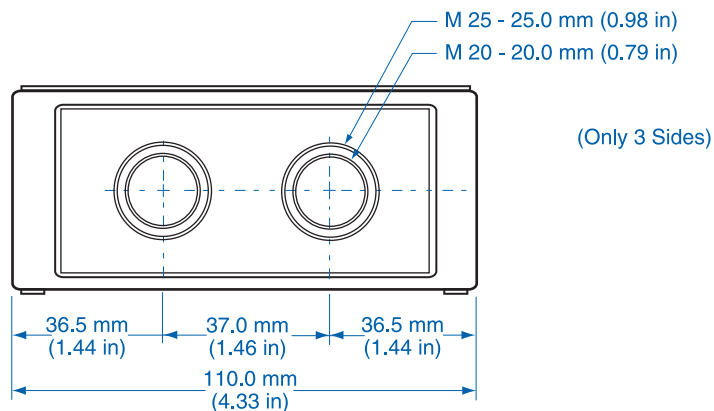


Knockout Positions

Side A



Side B



Mouser Electronics

Authorized Distributor

Click to View Pricing, Inventory, Delivery & Lifecycle Information:

[Altech:](#)

[110-404](#) [110-904](#) [111-004](#) [111-504](#) [120-404](#) [120-904](#) [130-004](#) [130-504](#)