

Number of contacts

32

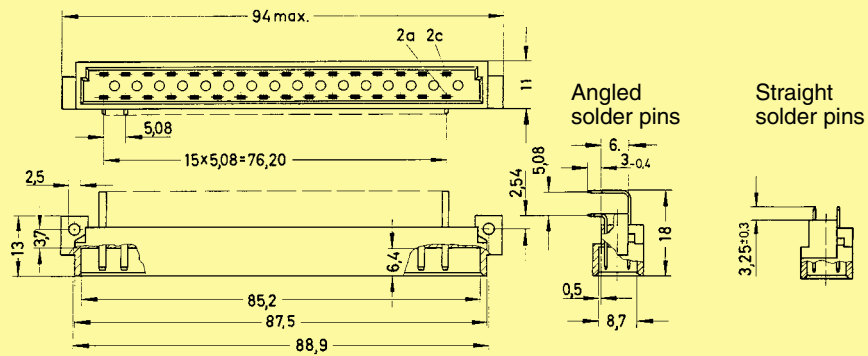


Male connectors

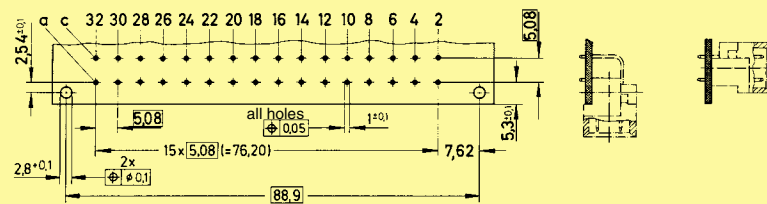
Identification	Number of contacts	Contact arrangement	Part No.	Performance levels according to IEC 60603-2. Explanation chapter 00	
			3	2	1
Male connector with angled solder pins	32		09 04 132 7921	09 04 132 6921 09 04 332 6921 ^{b)} 09 04 632 6921 ^{c)}	09 04 132 2921
	30 + 2 [▲]			09 04 132 6951 09 04 632 6951 ^{c)}	09 04 632 2951 ^{c)}
Male connector with straight solder pins	32			09 04 132 6922	
	30 + 2 [▲]			09 04 132 6952	

DIN Power
to 6 A

Dimensions



Board drillings
Mounting side



Dimensions in mm

▲ Male connectors with 2 leading contacts [(0.8 mm) pos. a2 and a32]
Other contact arrangements on request
b) Connectors with snap-in clips see chapter 00
c) Connectors with coding see page 02.42