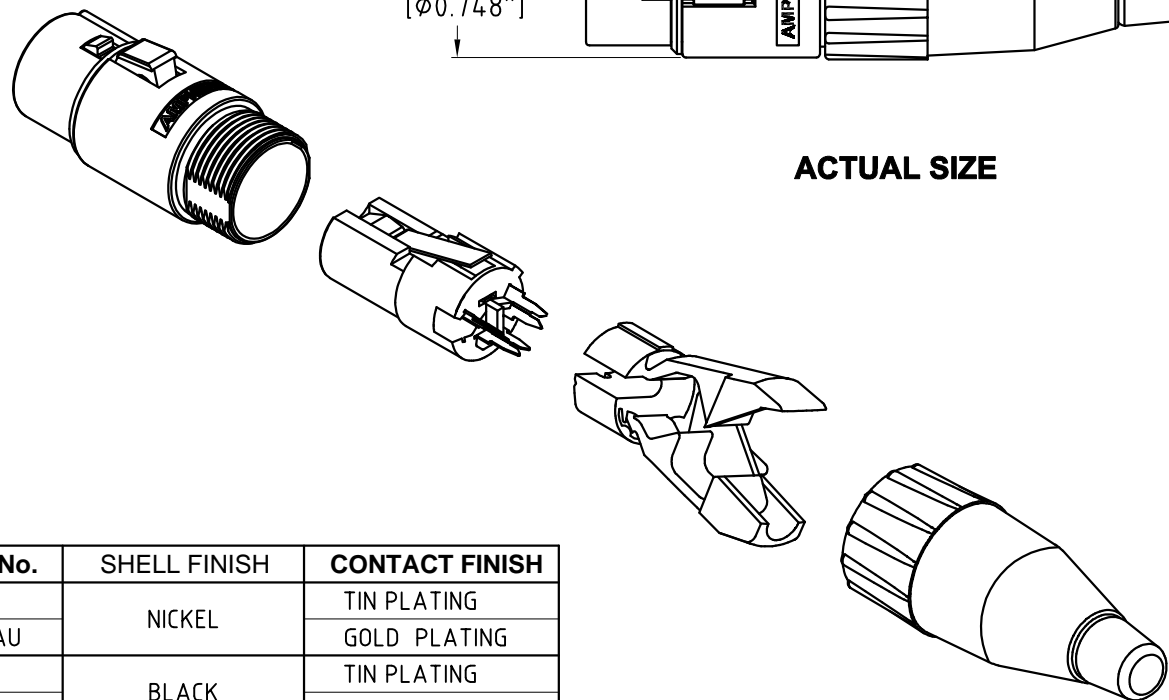


ACTUAL SIZE



CAT P/No.	SHELL FINISH	CONTACT FINISH
AC3FI	NICKEL	TIN PLATING
AC3FI-AU		GOLD PLATING
AC3FIB	BLACK	TIN PLATING
AC3FIB-AU		GOLD PLATING

UNLESS OTHERWISE SPECIFIED TOLERANCE TO BE		THIS DOCUMENT IS THE PROPERTY OF AMPHENOL AUSTRALIA PTY. LTD. NO PART THEREOF MAY BE REPRODUCED AND USED WITHOUT THE PRIOR WRITTEN CONSENT OF THE OWNER		0	FIRST ISSUE	L.V	01-05-06	----
LINEAR		ANGULAR		REV.	CHANGE DETAILS	BY	DATE	CHG/No
X ± 0.5	X° ± 1°	CAD FILE:	00846100	DRN:	L.V	DATE:	01-05-06	TITLE:
X.X ± 0.1	X°X' ± 30'	MATL:	REFER TO COMPONENT	CKD:	M.N.H	DATE:	01-05-06	AC3FI LINE CONNECTOR CUSTOMER DWG
X.XX ± 0.05	X°X'X" ± 15'	FINISH:	REFER TO COMPONENT	APP'D:	P.M	DATE:	01-05-06	Amphenol
DO NOT SCALE		THIRD ANGLE PROJECTION		SCALE:	1:1 UOS	PART No:	REFER TO CHART	SIZE: A4
DIMENSIONS IN MILLIMETRES						128294-0000		SHEET 2 OF 2

Amphenol Australia Pty Ltd, 2 Fireways Blvd, Keysborough, Vic 3173
DRAWING NO. 128294-0000

Mouser Electronics

Authorized Distributor

Click to View Pricing, Inventory, Delivery & Lifecycle Information:

[Amphenol:](#)

[AC3-FI BULK](#)